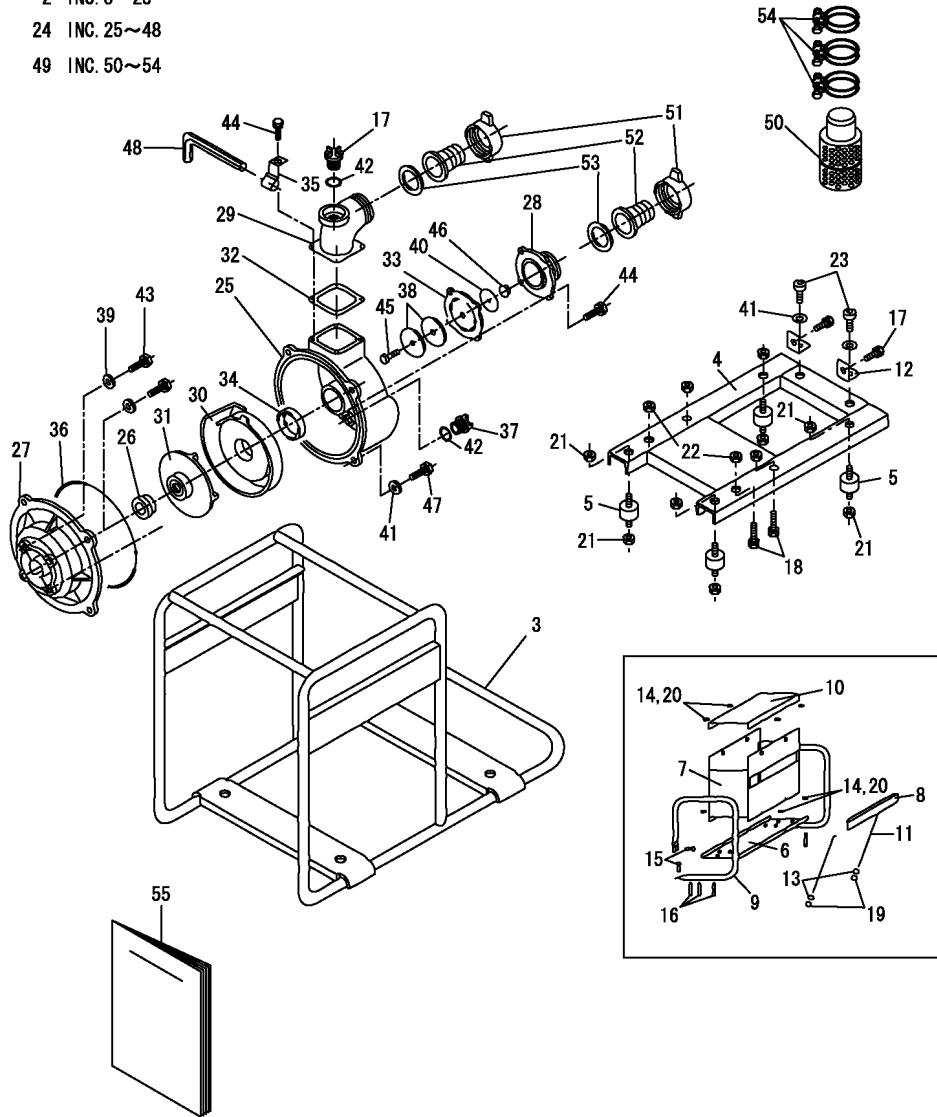


Fig.2. PUMP SET (YDP40STN)

- 1 INC. 2~54
- 2 INC. 3~23
- 24 INC. 25~48
- 49 INC. 50~54



(A)=YDP40N  
(B)=YDP40STN  
(C)=YDP40TN

(D)=  
(E)=  
(F)=

No.	Lev.	Parts No.	Description	Qty						I	R
				(A)	(B)	(C)	(D)	(E)	(F)		
1	1	183076-98010	PUMP SET		1						
2	2	183076-08510	BASE SET		1						
3	3	183076-01020	FRAME		1						
4	3	183076-08010	BASE		1						
5	3	183076-08020	DAMPER		4						
6	3	183076-48030	BASE		1						
7	3	183076-48040	COVER		1						
8	3	183076-48050	ANGLE		1						
9	3	183076-48060	GUARD		2						
10	3	183076-48070	COVER, HEAD		1						
11	3	183076-48080	BOLT, BATTERY		2						
12	3	183073-48170	RETAINER		2						
13	3	22117-050000	WASHER, 5		2						
14	3	22213-050000	WASHER, SPRING 5		8						
15	3	26013-060169	BOLT, M6X 16		4						
16	3	26013-060309	BOLT, M6X 30		6						
17	3	26013-100204	BOLT, 10 X 20		2						
18	3	26013-100452	BOLT, M10X 45		4						
19	3	26051-050002	NUT, M5		2						
20	3	26106-050102	BOLT, M5X 10 PLATED		8						
21	3	26367-080002	NUT, M8		8						
22	3	26367-100002	NUT, M10		4						
23	3	26450-100202	BOLT, M10X 20		2						
24	2	183076-48510	PUMP SET		1						
25	3	183073-48010	CASE		1						
26	3	183076-48010	SEAL, MECHANICAL		1						
27	3	183073-48020	COVER		1						
28	3	183073-48030	CASE		1						
29	3	183073-48040	BEND		1						
30	3	183073-48050	CASE		1						
31	3	183073-48060	IMPELLER		1						
32	3	183073-48070	GASKET		1						
33	3	183073-48080	VALVE, CHECK		1						
34	3	183073-48090	GASKET		1						
35	3	183074-48090	PLATE		1						
36	3	183073-48100	O-RING		1						
37	3	183071-48170	PLUG		2						
38	3	183073-48180	PLATE		2						
39	3	183073-48220	WASHER		4						
40	3	22157-080000	WASHER, 8		1						
41	3	22217-100000	WASHER, SPRING 10		6						
42	3	24311-000240	O-RING, 1AP24.0		2						
43	3	26106-080452	BOLT, M8X 45 PLATED		4						
44	3	26106-100302	BOLT, M10X 30 PLATED		8						
45	3	26117-080254	BOLT, 8 X 25		1						
46	3	26367-080002	NUT, M8		1						
47	3	26450-100302	BOLT, M10X 30		4						
48	3	28150-080000	WRENCH, BAR 8		1						
49	2	183076-98510	PARTS ASSY,ACCESSORY		1						
50	3	183076-48020	STRAINER		1						
51	3	183073-48120	HANDLE		2						

