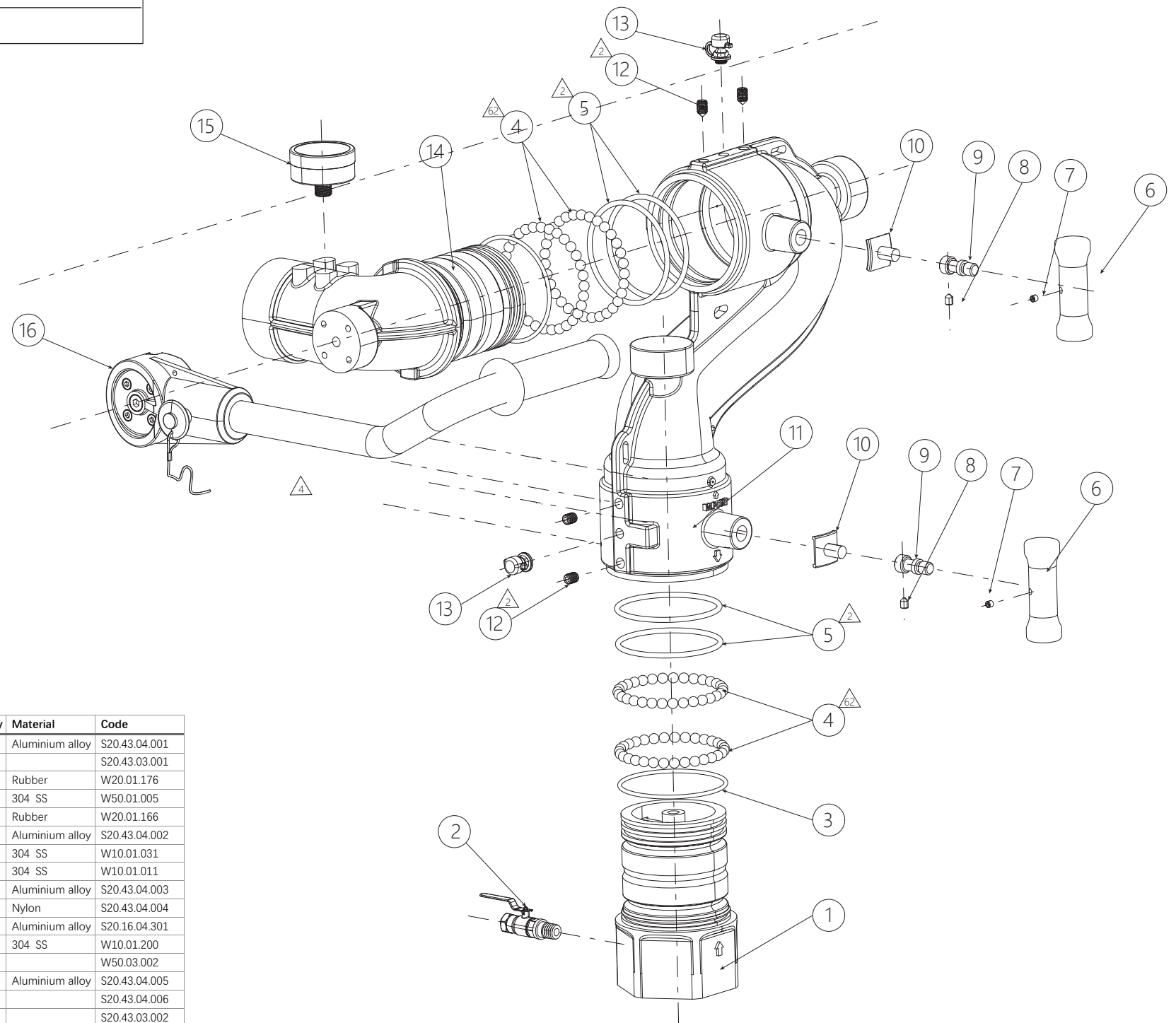




WC-M-65 Manual Water Cannon
Exploded View



No.	Description	Quantity	Material	Code
1	40 Water inlet pipe	1	Aluminium alloy	S20.43.04.001
2	1/4 "drain valve	1		S20.43.03.001
3	GB3452.1-92 O-ring 80×3.55	2	Rubber	W20.01.176
4	Steel ballφ8	124	304 SS	W50.01.005
5	GB3452.1-92 O-ring 75×3.55	4	Rubber	W20.01.166
6	40 Locking handle	2	Aluminium alloy	S20.43.04.002
7	GB/T78-2000 Hexagon socket set screw with cone point M5×6	2	304 SS	W10.01.031
8	GB/T78-2000 Hexagon socket set screw with cone point M6×8	2	304 SS	W10.01.011
9	40 Locking shaft	2	Aluminium alloy	S20.43.04.003
10	40 Brake pads	2	Nylon	S20.43.04.004
11	40 Manual cannon bodyφ65	1	Aluminium alloy	S20.16.04.301
12	GB/T78-2000 Hexagon socket set screw M8×10	4	304 SS	W10.01.200
13	Grease Nipple φ8	2		W50.03.002
14	90°Elbowφ65	1	Aluminium alloy	S20.43.04.005
15	Z40 Pressure gauge M10	1		S20.43.04.006
16	40 Handle	1		S20.43.03.002