

SOTERA[®]

SYSTEMS

Kits



FILL-RITE



Tuthill

SOTERA[®]
SYSTEMS

Table of Contents

- [400 Diaphragm Kits](#)
- [½" AODD Kits](#)
- [1" AODD Kits](#)

400 Table of Contents

- [400KTF0236 – Banjo Anti-Drip Spout](#)
- [400KTF0237 – Norwesco Anti-Drip Spout](#)
- [400KTF0281 – Banjo Anti-Drip Nozzle](#)
- [400KTF6853 – Tall Frame Chemtraveller](#)
- [400KTF6862 – 400 \(Pre B\) Filcon Rebuild](#)
- [400KTF6863 – 400 \(Pre B\) Santo Rebuild](#)
- [400KTG9137 – 400 \(Pre B\) Santo Diaphragms](#)
- [400KTG8084 – Monsanto Shuttle Adapter](#)
- [400KTG8106 – 2” NPT/Buttress Quick Attach](#)
- [400KTG8583 – Quick Attach Cover](#)
- [400KTG9028 – 2” NPT Quick Attach](#)
- [400KTG9029 – 2” Buttress Quick Attach](#)
- [400KTG8830 – Hose w/ 825 Meter Assm](#)
- [400KTG9168 – Retrofit for Pump and Meter](#)
- [400KTG9341 – Chemtraveller Bottom Suction](#)
- [400KTG9342 – Chemtraveller Top Suction](#)
- [400KTH1178 – 400B Santoprene Diaphragm](#)
- [400KTH1179 – 400B Filcon Diaphragm](#)
- [400KTH1456 – 400B Filcon Rebuild](#)
- [400KTH1457 – 400B Santoprene Rebuild](#)
- [400EXPF6846 – 12 VDC Ex Proof Motor](#)
- [400EXPF7351 – 115 VAC Ex Proof Motor](#)
- [400G9734 – 12 VDC Motor \(Not Ex Proof\)](#)
- [400G9735 – 115 VAC Motor \(Not Ex Proof\)](#)
- [445KTF1596 – 13 Bolt to GEM-CAP](#)
- [445KTF1691 – 12 to 13 Bolt Adapter](#)
- [445KTG9128 – 445 EPDM Seal](#)
- [445KTH1492 – 445 Recirc. Valve Rebuild](#)
- [400F6557 – Gear Pack](#)
- [825KTG9123 – EPDM O-Rings / 820, 825, 850](#)
- [825KTF1582 – 820, 825, and 850 Rebuild](#)

½” AODD Table of Contents

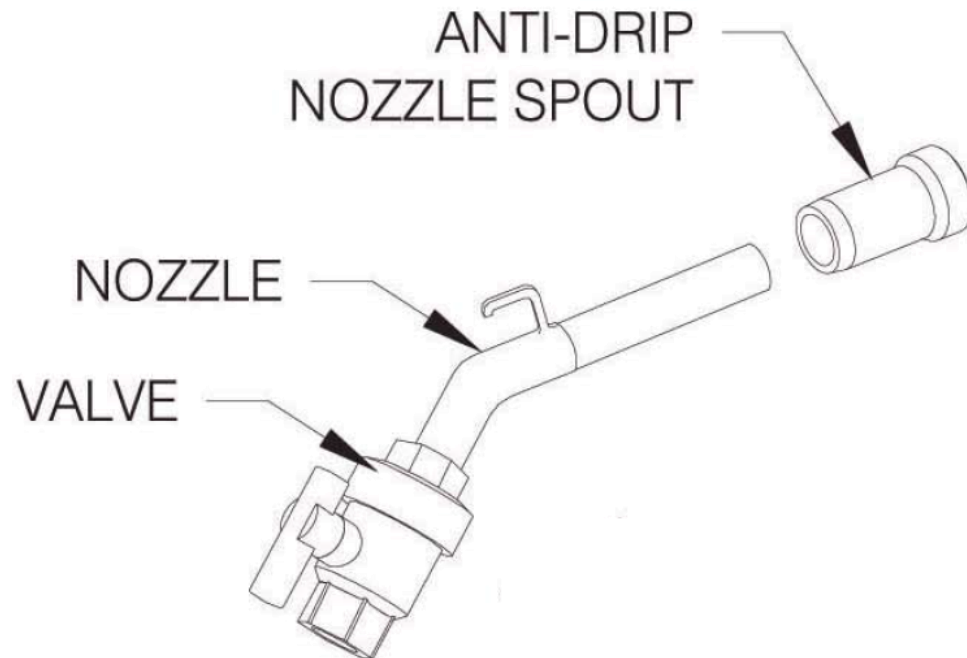
- [KITS05HHH – Hytrel Fluid Section Kit](#)
- [KITS05SSS – Santoprene Fluid Section Kit](#)
- [KITS05TTP – Teflon® / Poly Fluid Section Kit](#)
- [KITS05TTF – Teflon® / PVDF Fluid Section Kit](#)
- [KITS05TTD – Teflon® / Acetal Fluid Section Kit](#)
- [KITS05AVA – Air Valve Assembly Kit](#)
- [KITS05FRH – Filter, Regulator, and Hose Kit](#)
- [KITS05NDEF – Hose / Nozzle Kit for DEF Kit](#)
- [KITS05TBP – Bulk Teflon® Check Balls Kit](#)
- [KITS05TOP – Bulk Teflon® Encap. O-Rings Kit](#)
- [KITS05VBC – Conductive Nylon Valve Block Kit](#)
- [KITS05VBP – Polypropylene Valve Block Kit](#)
- [KITS05MUF – Muffler Kit](#)
- [KITS05FCD – Groundable Acetal Fluid Cap Kit](#)
- [KITS05FCP – Polypropylene Fluid Cap Kit](#)
- [KITS05FCF – PVDF Fluid Cap Kit](#)
- [KITS05ROD – Diaphragm and Trip Rods Kit](#)
- [KITS05WCH – Wrench Kit](#)
- [KITS05WMA – Wall Mount Bracket Kit](#)
- [KITS05NID – NPT Groundable Acetal Inlet Kit](#)
- [KITS05BID – BSPP Groundable Acetal Inlet Kit](#)
- [KITS05NOD – NPT Groundable Acetal Outlet Kit](#)
- [KITS05BOD – BSPP Groundable Acetal Outlet Kit](#)
- [KITS05NIP – NPT Polypropylene Inlet Kit](#)
- [KITS05BIP – BSPP Polypropylene Inlet Kit](#)
- [KITS05NOP – NPT Polypropylene Outlet Kit](#)
- [KITS05BOP – BSPP Polypropylene Outlet Kit](#)
- [KITS05NIF – NPT PVDF Inlet Kit](#)
- [KITS05BIF – BSPP PVDF Inlet Kit](#)
- [KITS05NOF – NPT PVDF Outlet Kit](#)
- [KITS05BOF – BSPP PVDF Outlet Kit](#)
- [KITS05NWD – Groundable Acetal Nut and Washer](#)
- [KITS05NWF – PVDF Nut and Washer](#)
- [KITS05NWP – Polypropylene Nut and Washer](#)

1" AODD Table of Contents

- [KITS10AVA – Air Valve Kit](#)
- [KITS10FRH – Filter, Regulator, and Hose Kit](#)
- [KITS10ROD – Diaphragm and Trip Rods Kit](#)
- [KITS10WMA – Wall Mount Bracket Kit](#)
- [KITS10WCH – Wrench Kit](#)
- [KITS10HHH – Hytrel Fluid Section Kit](#)
- [KITS10SSS – Santoprene Fluid Section Kit](#)
- [KITS10TTP – Teflon® / Poly Fluid Section Kit](#)
- [KITS10TTF – Teflon® / PVDF Fluid Section Kit](#)
- [KITS10FCA – Aluminum Fluid Cap Kit](#)
- [KITS10INA – NPT Aluminum Inlet Kit](#)
- [KITS10IBA – BSPP Aluminum Inlet Kit](#)
- [KITS10ONA – NPT Aluminum Outlet Kit](#)
- [KITS10OBA – BSPP Aluminum Outlet Kit](#)
- [KITS05MUF – Muffler Kit](#)
- [KITS05VBC – Conductive Nylon Valve Block Kit](#)
- [KITS05VBP – Polypropylene Valve Block Kit](#)
- [KITS10FCP – Polypropylene Fluid Cap Kit](#)
- [KITS10FIP – Polypropylene Inlet Kit](#)
- [KITS10FOP – Polypropylene Outlet Kit](#)
- [KITS10FCF – PVDF Fluid Cap Kit](#)
- [KITS10FIF – PVDF Inlet Kit](#)
- [KITS10FOF – PVDF Outlet Kit](#)
- [KITS10NWD – Groundable Acetal Nut and Washer](#)
- [KITS10NWP – Polypropylene Nut and Washer](#)
- [KITS10NWF – PVDF Nut and Washer](#)

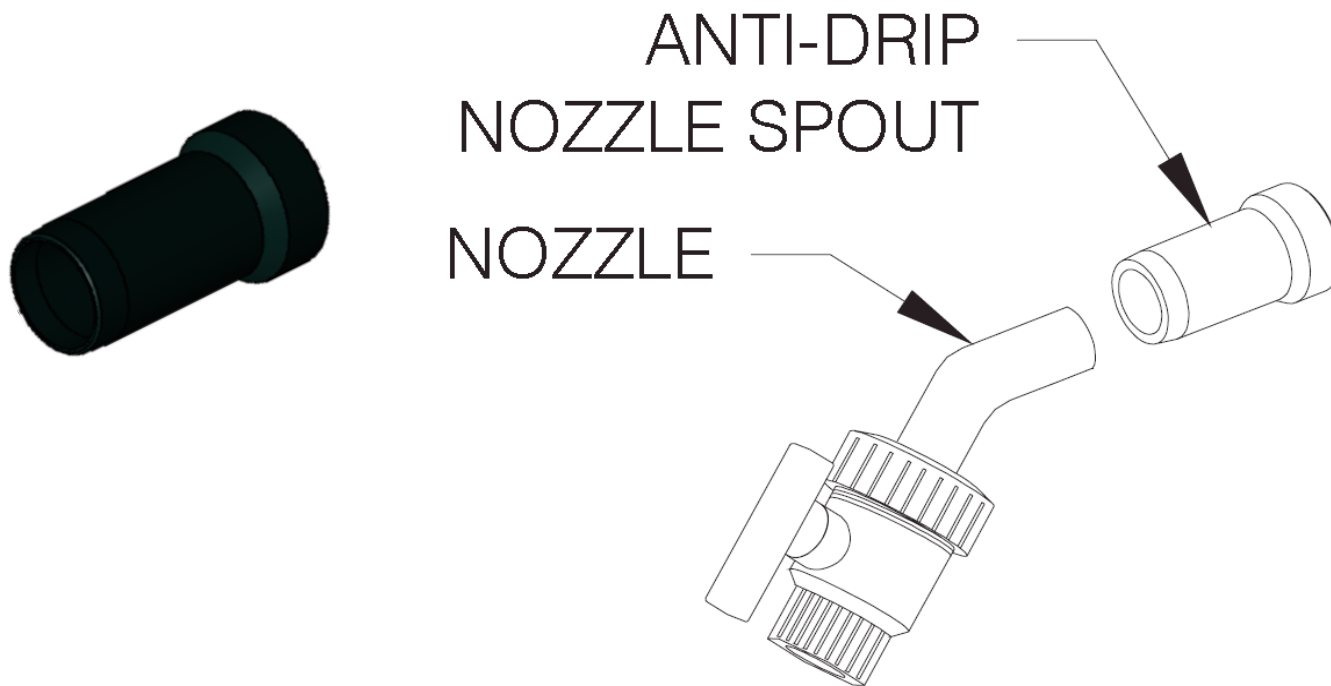
400KTF0236 – Anti-Drip Spout

- Fits Banjo Spout and Other Spouts with a 1" OD.
- Nozzle and Valve are Not Included in the Kit.



400KTF0237 – Anti-Drip Spout

- Fits Norwesco Spout and Other Spouts with a 1 3/16" OD.
- Nozzle and Valve are Not Included in the Kit.

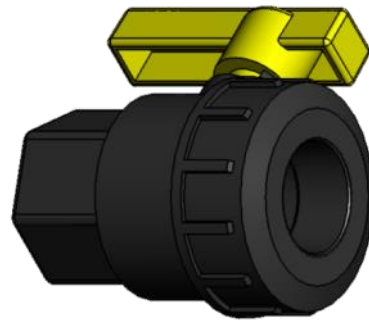


400KTF0281 – Banjo Nozzle

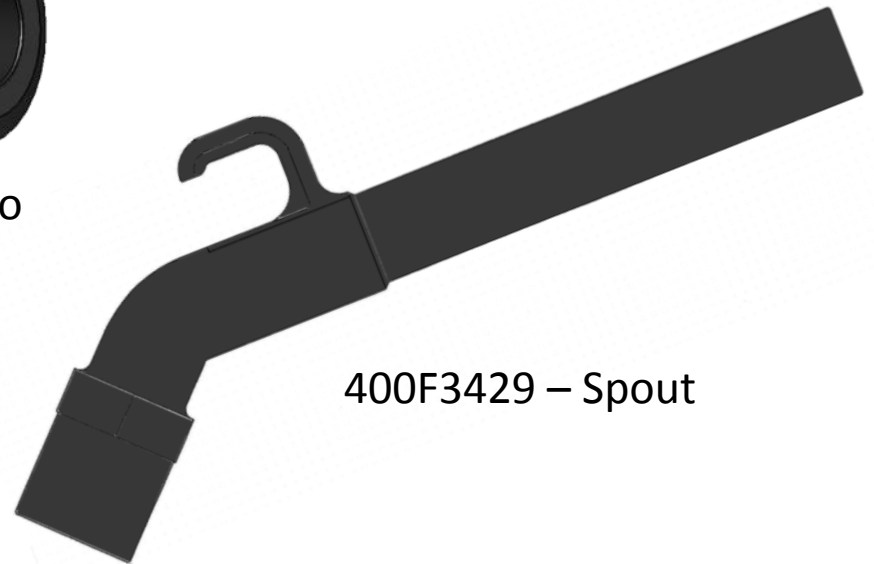
- 1" Banjo Ball Valve Nozzle w/ Anti-Drip Spout.



400KTF0236 – Banjo
Anti Drip Tip

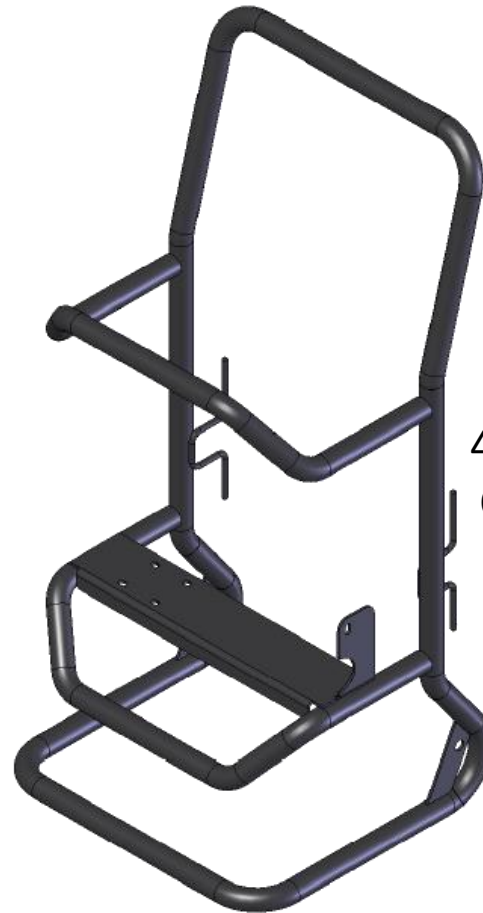
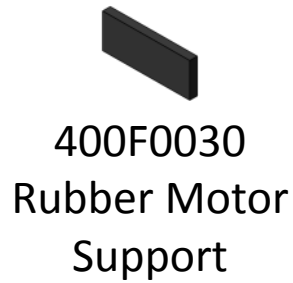


400F3622 – Banjo
Ball Valve



400F3429 – Spout

400KTF6853 – Tall Frame Chemtraveller



400F6892 - Tall
Chemtraveller
Frame

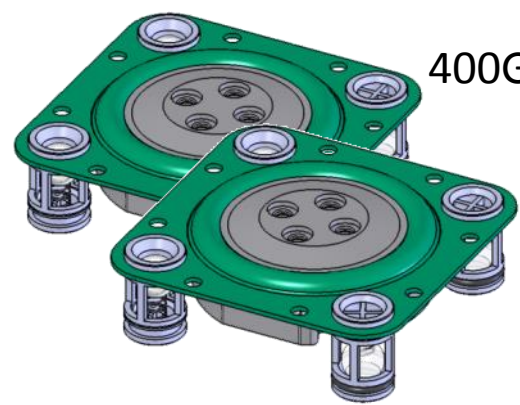
400KTF6862 – Filcon Rebuild Kit

- For the older 400 series (pre-400B) pumps.



400KTF6863 – Santoprene Rebuild Kit

- For the older 400 series (pre-400B) pumps.



400G8964 - Diaphragm Assembly (2)



400G8952 O-Rings (8)



400F6692 Gasket



400G7494 Screws (6)



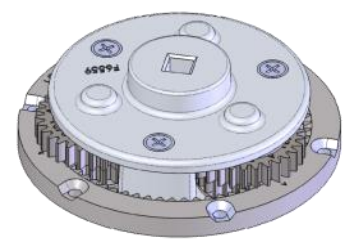
400F0267 Screws (2)



400F6795 Screws (8)



400F6924 Gaskets (2)



400F6557 Gear Pack



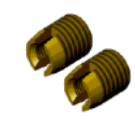
400F6563 Drive Gear



1200F6440 Rotor Key



400F6754 Insert (2)

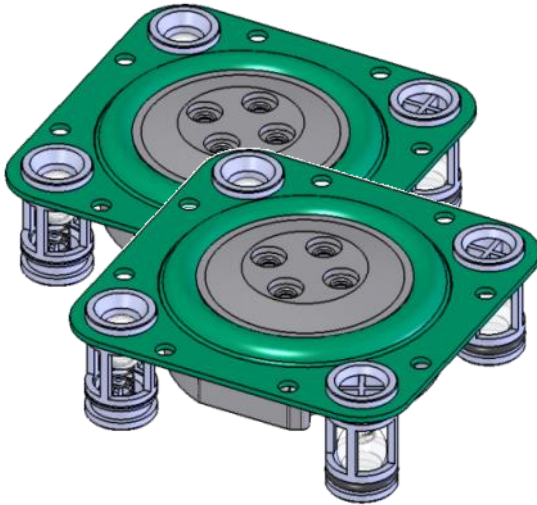


400F6698 Insert (2)



400KTG9137 – Santoprene Diaphragm Kit

- For the older 400 series (pre-400B) pumps.



400G8964 - Diaphragm Assembly (2)



400G8952 O-Rings (8)



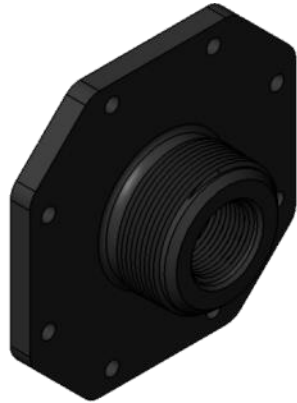
400F6795 Screws (8)



400F6924 Gaskets (2)

400KTG8084 – Monsanto Adapter Kit

- For use on Monsanto shuttles.



400G8071
Flange



35F1673
Monsanto
Coupler



400F6924
Gasket



Kit Installed
on Pump

400KTG8106 – Quick Attach Kit



400G8064
2" NPT
Adapter



400G8069
2" Buttress
Adapter



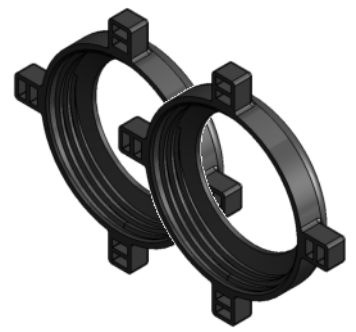
400G8065
Pump Flange



400G8070
Dust Cap



400F1855
Poly Suction Pipe



400G8078
Threaded Collar (2)



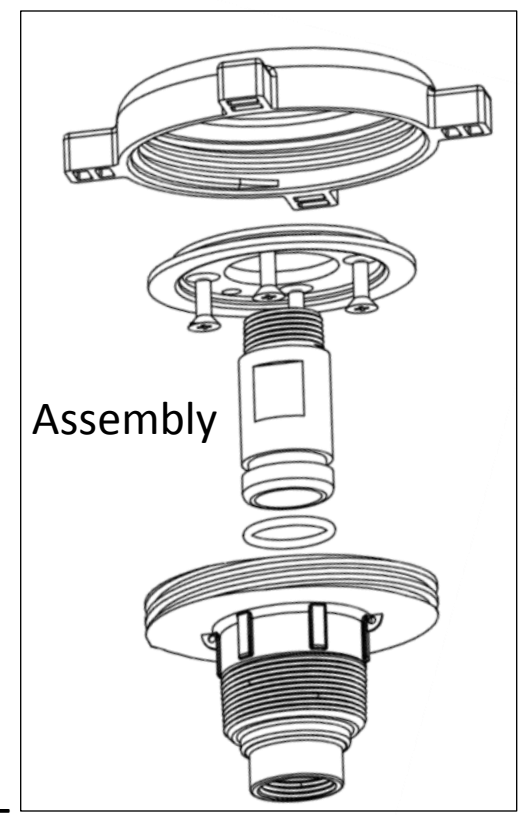
400G8066
Probe



400G8108
Probe O-Ring



400G8081
Screws (4)



Assembly

400KTG9028 – 2" NPT Quick Couple Kit



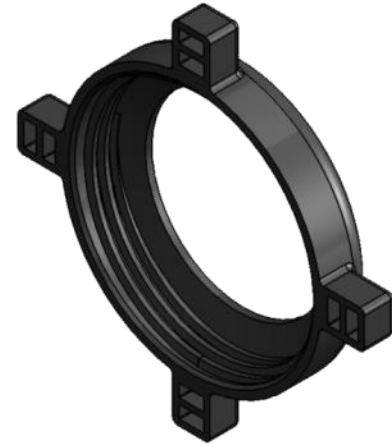
400F1855
Poly Suction Pipe



400G8064
2" NPT Adapter



400G8070
Dust Cap



400G8078
Threaded Collar

400KTG9029 – 2" Buttress Quick Couple Kit



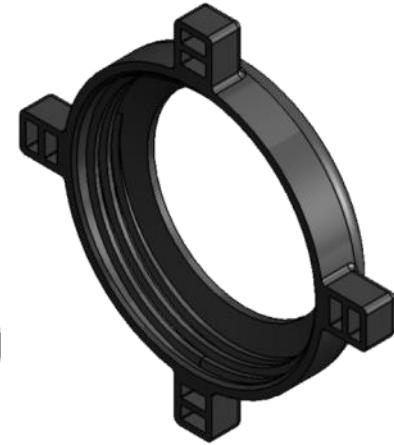
400F1855
Poly Suction Pipe



400G8069
2" Buttress
Adapter

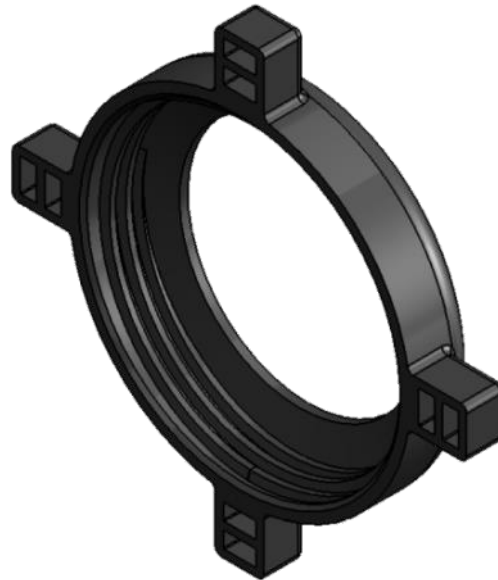


400G8070
Dust Cap



400G8078
Threaded Collar

400KTG8583 – Quick Attach Cover Kit



400G8078
Threaded Collar



400G8070
Dust Cap

400KTG8830 – Hose / 825 Meter Kit

- The 825 Meter is Assembled to the Hose at TTS.



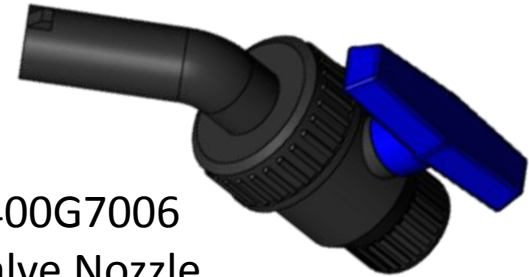
400F1672
1" Hose Barb



400F1672
Hose Clamp (2)



400F1672
1" Short Nipple



400G7006
Valve Nozzle



700F3123
1" x 12' Hose




825 Meter


400KTG9168 – Santoprene Pump/Meter Kit

- For the older 400 series (pre-400B) pumps.


445KTG9128 Kit




445G9117 Recirculation Spout



445G9113 O-Ring

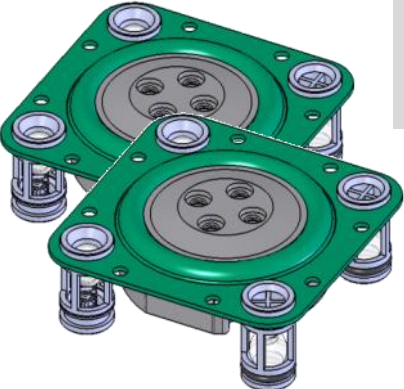


800F4034 O-Ring




400F6924 Gasket


400KTG9137 Kit




400G8964 Diaphragms (2)



400G8952 O-Rings (8)




400F6795 Screws (8)




400F6924 Gaskets (2)

825KTG9123 Kit



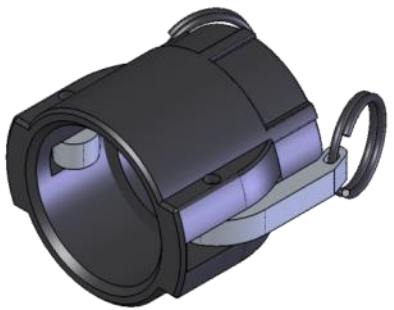
400G8951 O-Ring



820G9108 O-Ring



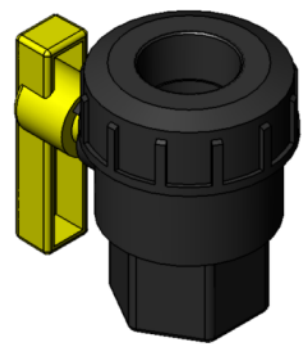
400KTG9341 – Chemtraveller Bottom Suction Kit



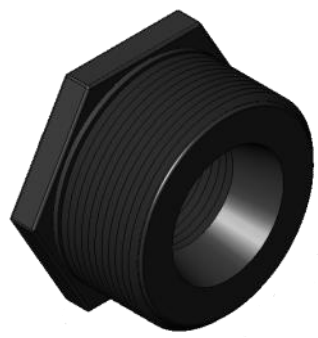
419G8206
2" Female Coupler



419G8207
2" Male Coupler



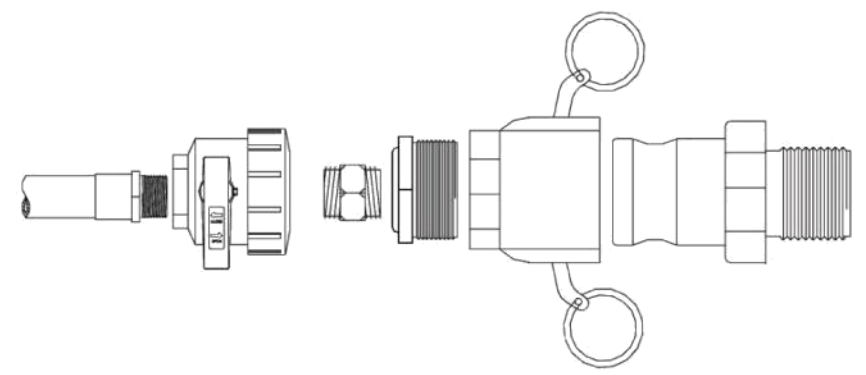
400F3622
Ball Valve



435F1766
2"x 1" Reducer



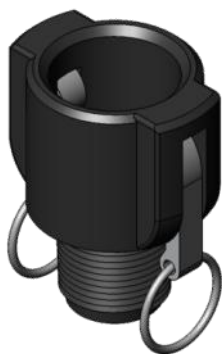
400F3428
1" Short Nipple



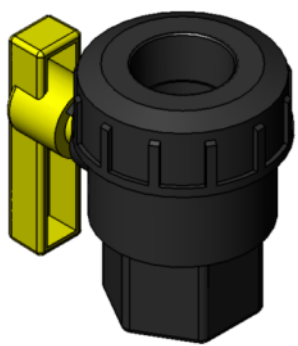
400KTG9342 – Chemtraveller Top Suction Kit



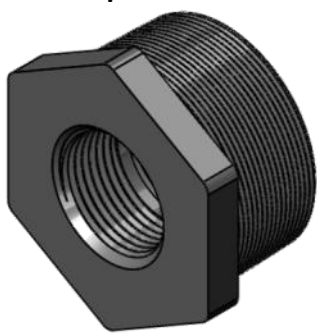
400F3624
1" Male Adaptor



400F3618
1" Female Coupler



400F3622
Ball Valve



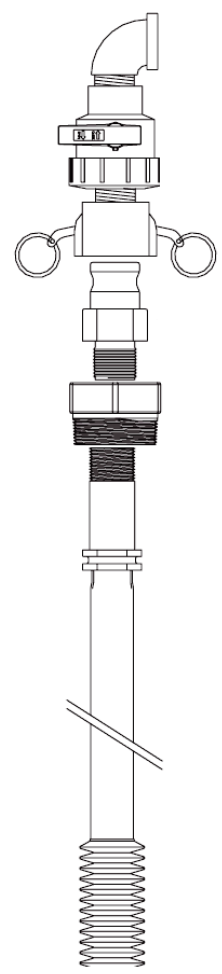
100F1175
Double Tap Bushing



400F3619
Poly Street Elbow

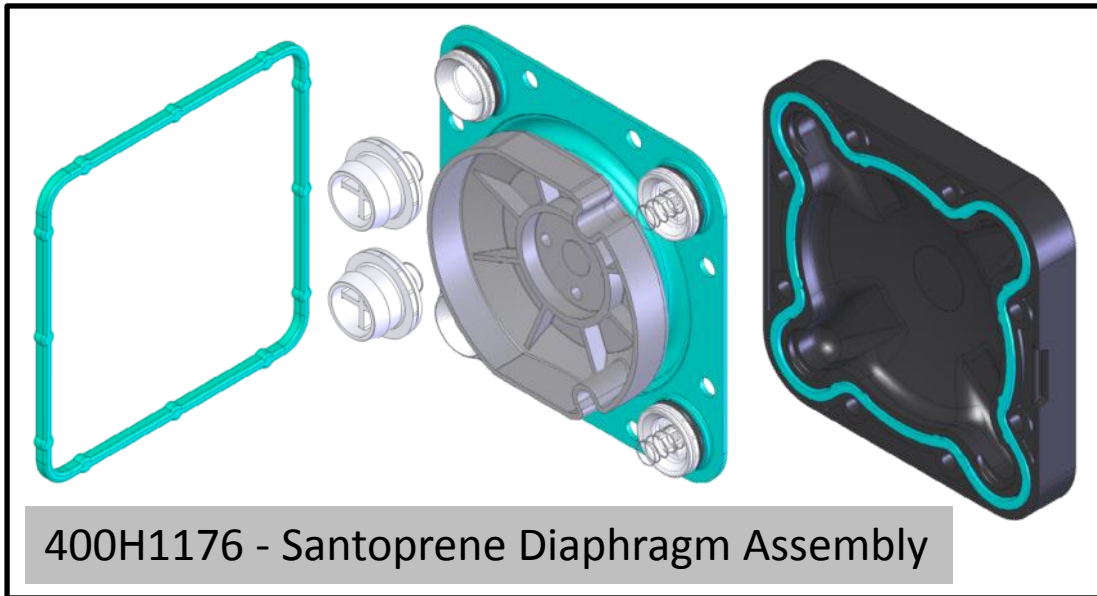


445F1863
Suction Tube



400KTH1178 – 400B Santoprene Diaphragm Kit

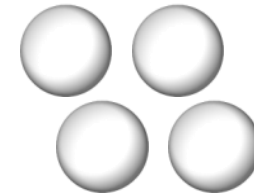
- For the 400B Series Pumps.



400G8952
O-Rings (4)



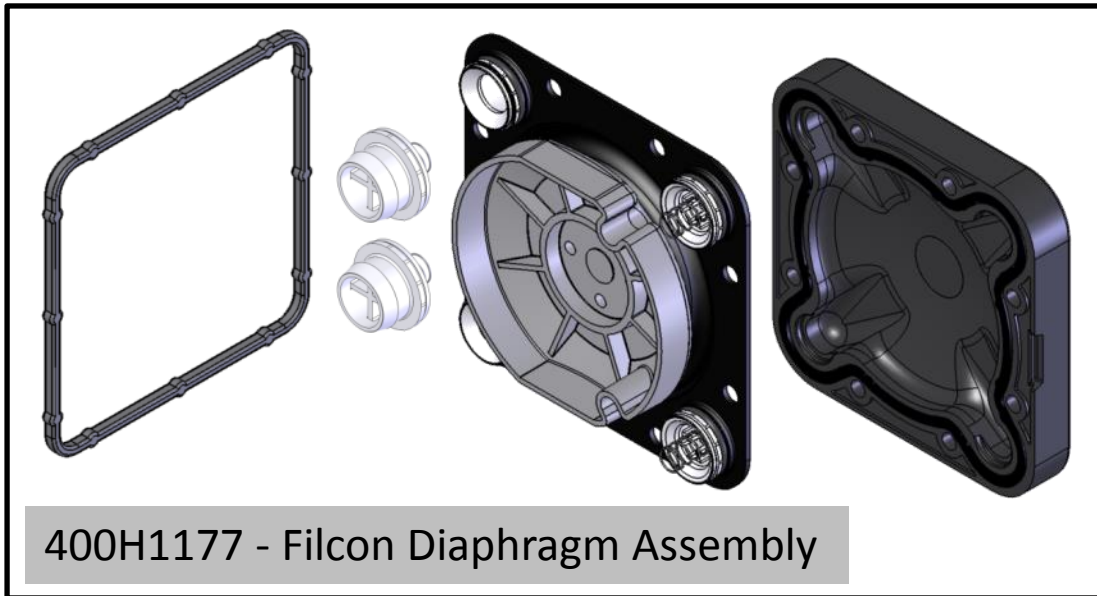
400F6795
Screws (4)



400F6574
Ball Check Valve (4)

400KTH1179 – 400B Filcon Diaphragm Kit

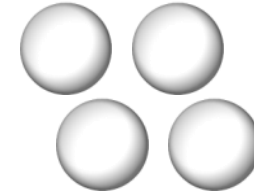
- For the 400B Series Pumps.



400G8952
O-Rings (4)



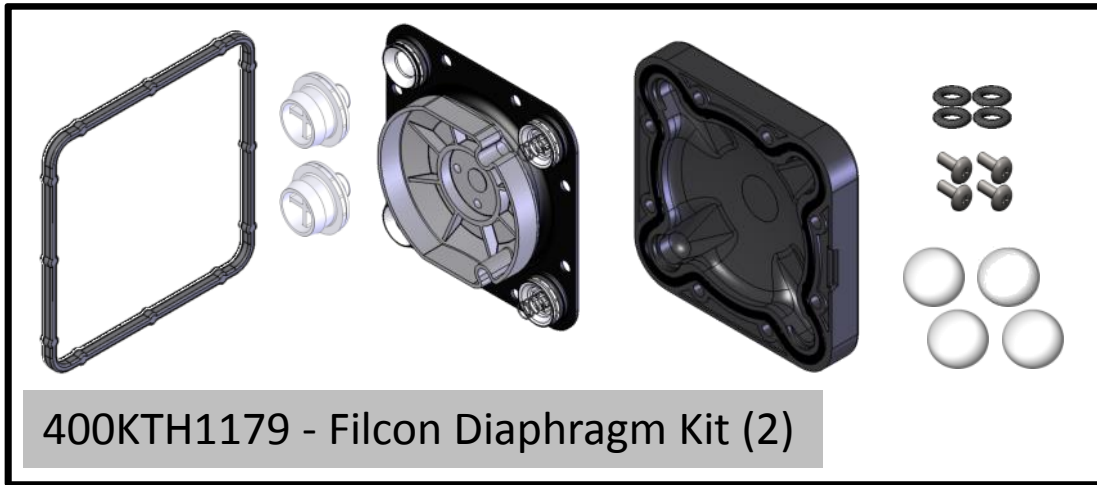
400F6795
Screws (4)



400F6574
Ball Check Valve (4)

400KTH1456 – 400B Filcon Rebuild Kit

- For the 400B Series Pumps.



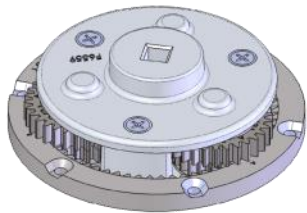
400KTH1179 - Filcon Diaphragm Kit (2)



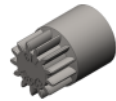
400F0267
Screws (2)



400F6692
Gasket



400F6557
Gear Pack



400F6563
Drive Gear



1200F6440
Rotor Key



400F6754
Insert (2)



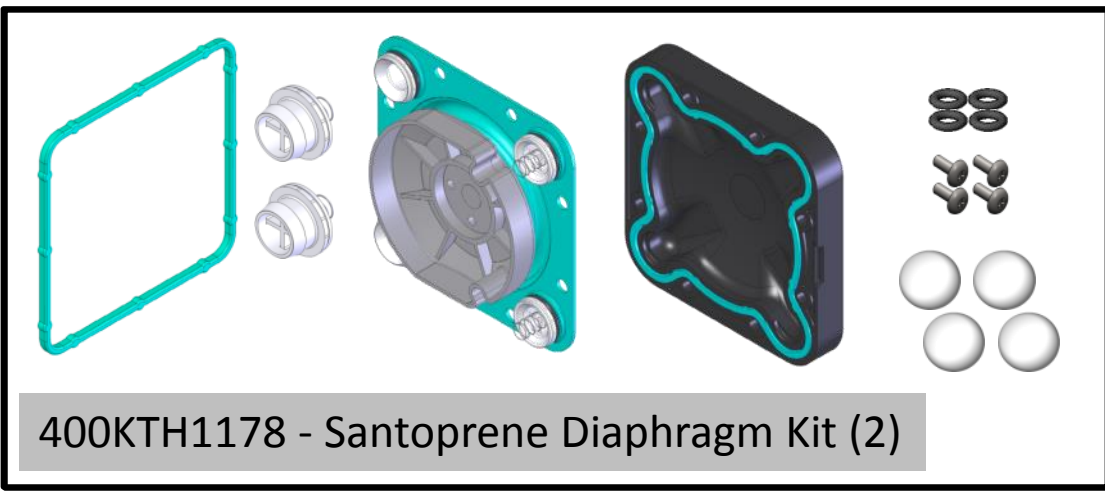
400G7494
Screws (6)



400F6924
Gaskets (2)

400KTH1457 – 400B Santoprene Rebuild Kit

- For the 400B Series Pumps.



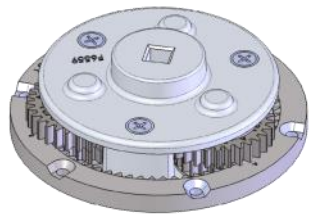
400KTH1178 - Santoprene Diaphragm Kit (2)



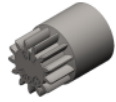
400F0267
Screws (2)



400F6692
Gasket



400F6557
Gear Pack



400F6563
Drive Gear



1200F6440
Rotor Key



400F6754
Insert (2)



400G7494
Screws (6)

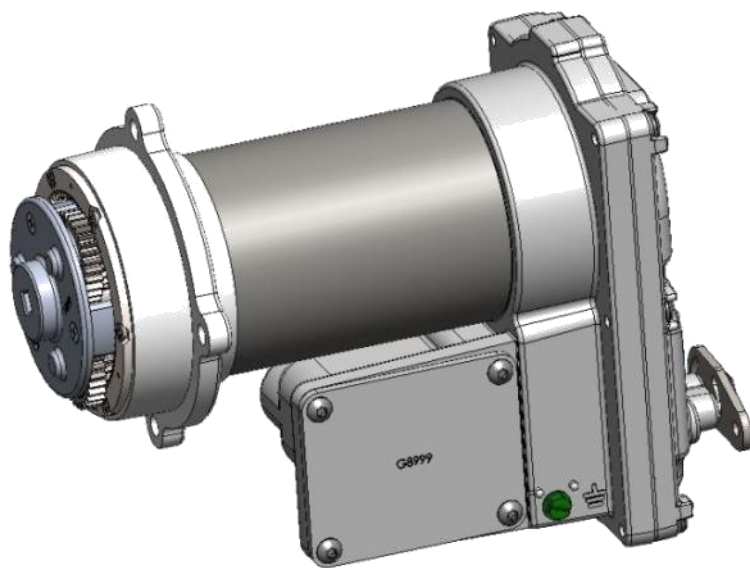


400F6924
Gaskets (2)



400EXPF6846 – 12 VDC Motor Kit

- 12 VDC Explosion Proof Motor.



400F6796
Explosion Proof Motor



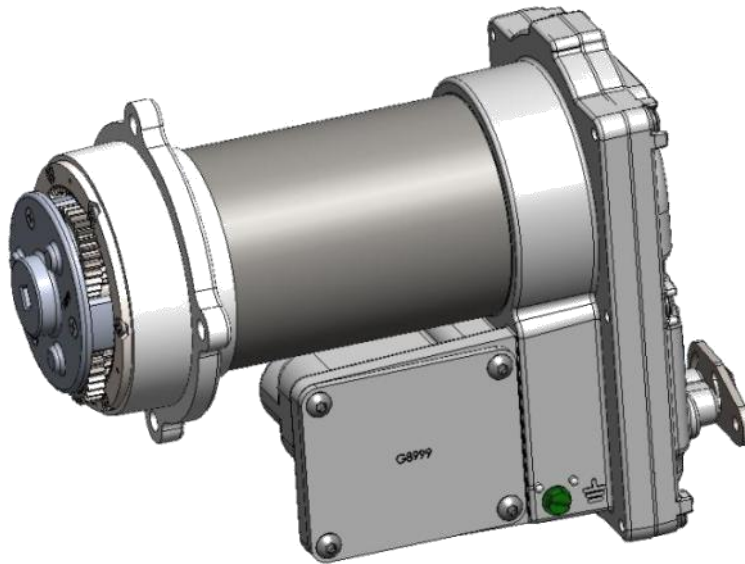
Nozzle Boot



1200G9830
5' Green
Ground Wire

400EXPF7351 – 115 VAC Motor Kit

- 115 VAC Explosion Proof Motor.



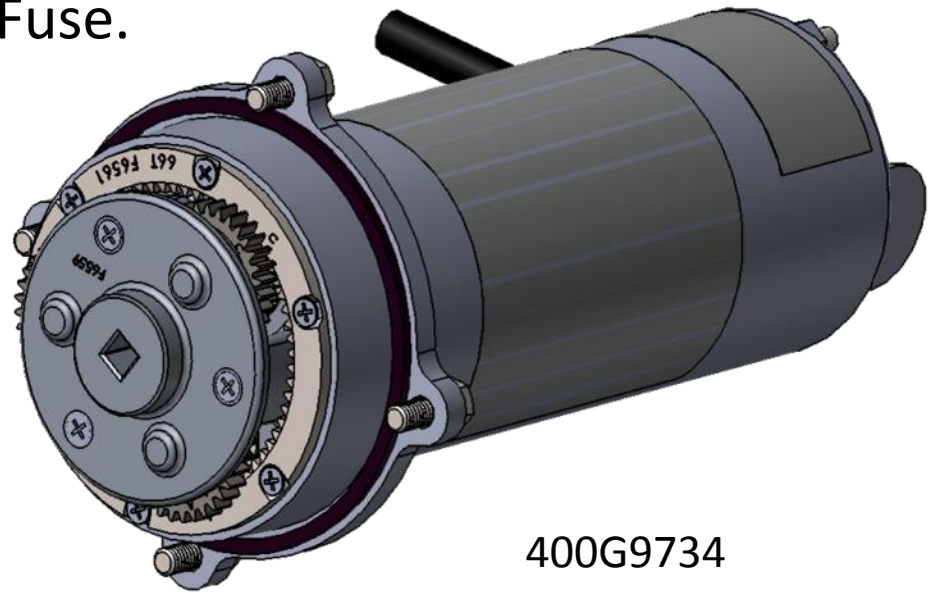
460G9729
Explosion Proof Motor



Nozzle Boot

400G9734 – 12 VDC Motor

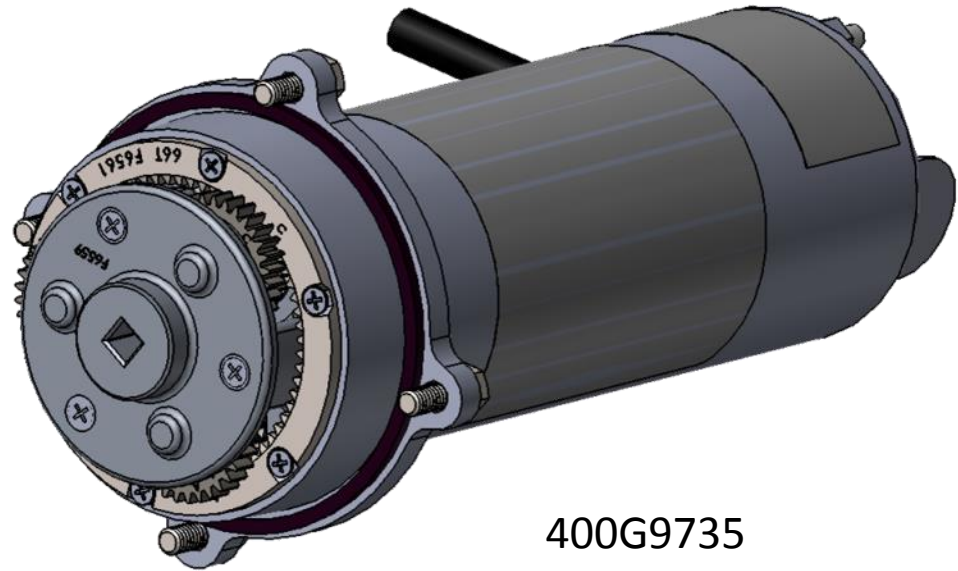
- 12 VDC Motor (**Not** Explosion Proof).
- Includes Gear Pack.
- Cable is 20' (6m) with Battery Clips and In-Line Fuse.



400G9734
Motor

400G9735 – 115 VAC Motor

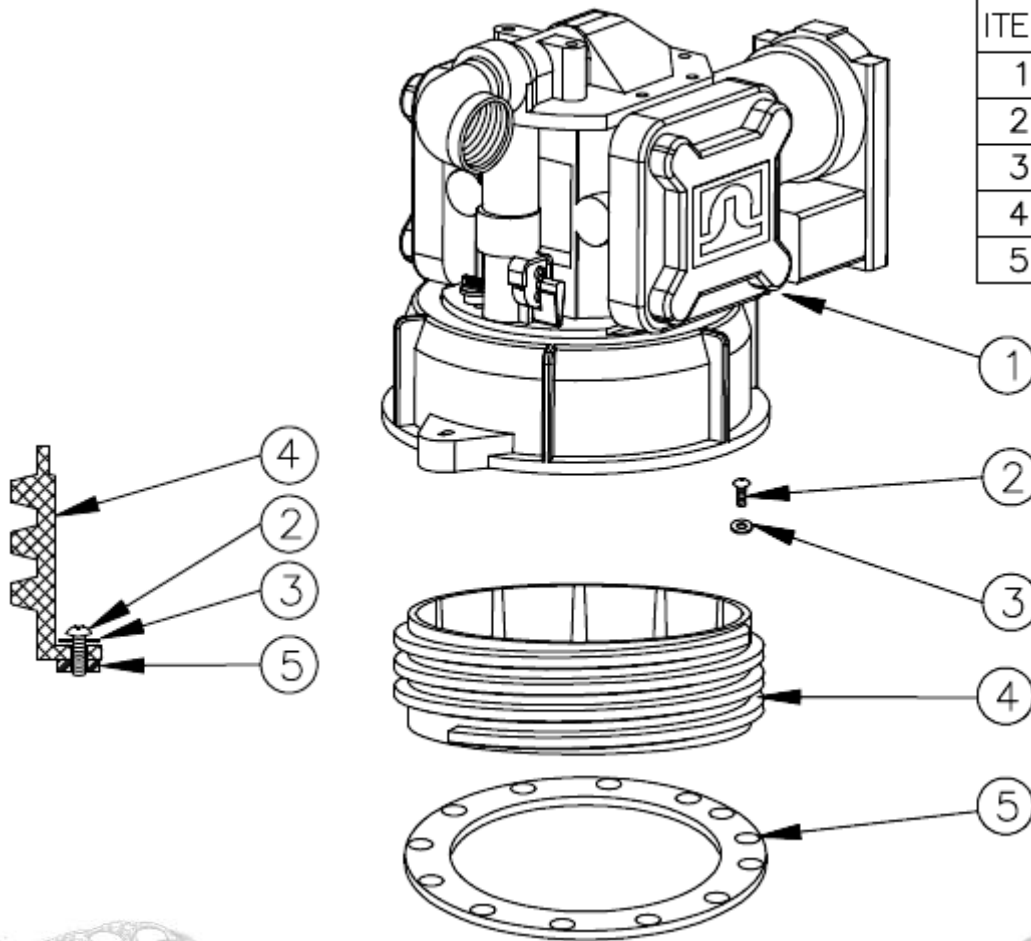
- 115 VAC Motor (**Not** Explosion Proof).
- Includes Gear Pack.
- Cable is 6½' (2m) with 3 Wires and US Style 3 Prong Plug.



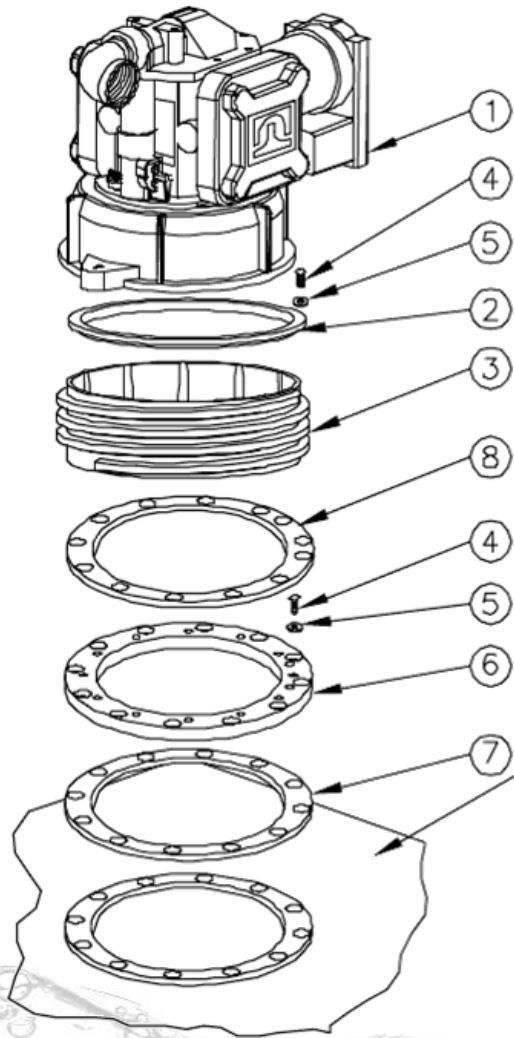
400G9735
Motor

445KTF1596 – 13 Bolt to GEM-CAP Kit

ITEM	PART NO.	DESCRIPTION	QTY.
1		SOTERA 445 PUMP	
2	400F0138	SCREW, #10-24 X 3/4	13
3	400F6812	WASHER	13
4	445F1595	13 BOLT ADAPTER	1
5	400F0194	FOAM GASKET	1

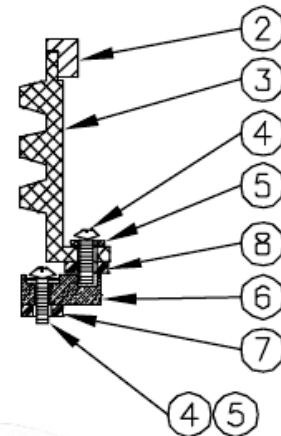


445KTF1691 – 12 to 13 Bolt Adapter Kit



ZENECA 110
GALLON
EASY HANDLER
TANK

ITEM	PART NO.	DESCRIPTION	QTY.
1		SOTERA 445	
2	445F1649	RUBBER GASKET	1
3	445F1595	13 BOLT GEM ADAPTER	1
4	400F0138	SCREW, #10-24 X 3/4	25
5	400F6812	WASHER	25
6	445G9307	12 TO 13 BOLT ADAPTER	1
7	400F0617	FOAM GASKET	1
8	400F0194	FOAM GASKET	1



445KTG9128 – 445 EPDM Seal Kit



445G9117
Recirculation Spout



800F4034 O-
Ring

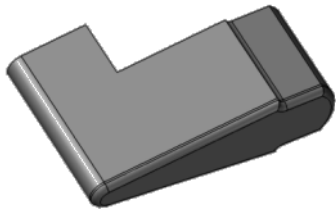


445G9113
O-Ring



400F6924
Gasket

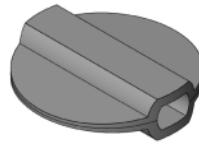
445KTH1492 – 445 Recirc Valve Repair Kit



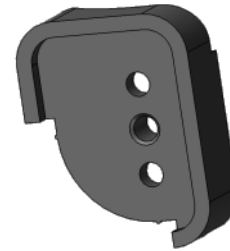
440F1588
Recirculation
Handle



445F1609
SS Shaft



440F1592
Butterfly
Valve



440F1589
Stop
Bushing

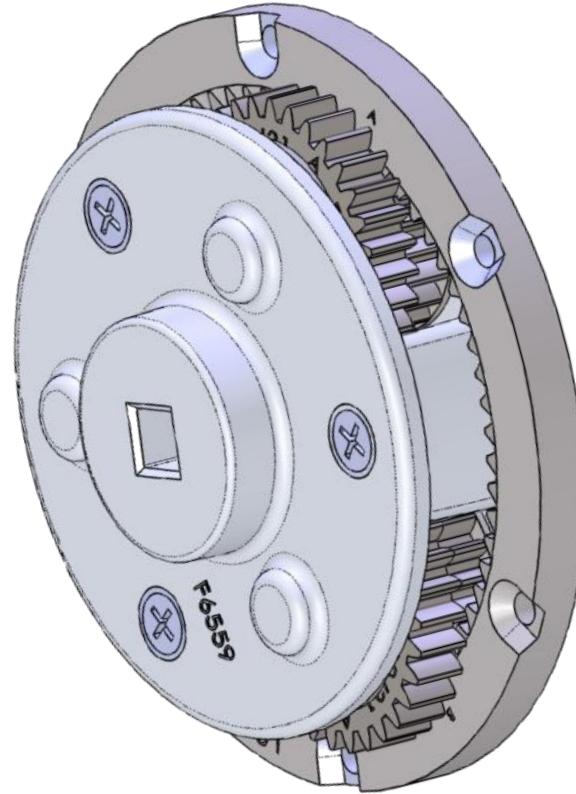


800F4034
EPDM O-
Ring



445G9008
Screws (2)

400F6557 – Gear Pack



400F6557
Gear Pack

825KTG9123 – EPDM O-Ring Kit

- For 820, 825, and 850 Digital Meters



400G8951
O-Ring



820G9108
O-Ring

825KTF1582 – Rebuild Kit

- For 820, 825, and 850 Digital Meters



820F1552
O-Ring



800G7389
O-Ring



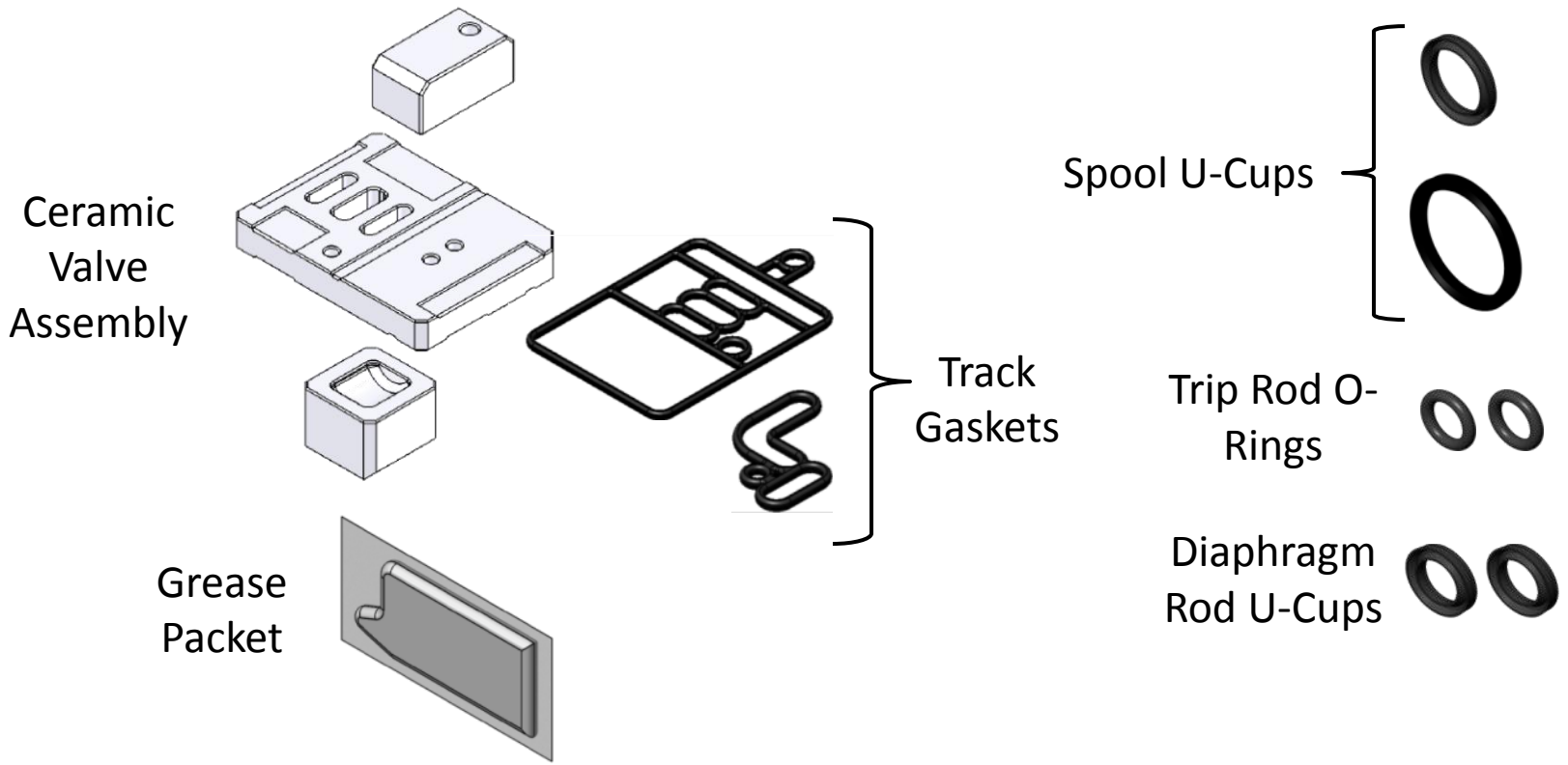
825F1578
Meter Chamber
Assembly

Components in 825F1578 Chamber Assembly

PART NO.	DESCRIPTION	QTY
825F1577	Magnet Holder	1
800F4439	Screw, #6-20 x 1/2 Phillips	2
800F3955	Pinion Plate	1
800F3965	Pinion Shaft	1
800G1304	G1304 Driver	1
35F6588	O-Ring (2-117)	1
820F1550	Seal Gland	1
800F3951	Meter Chamber Top	1
800G2530	Meter Disc	1
800F3952	Meter Chamber Bottom	1
800F3980	Washer	2

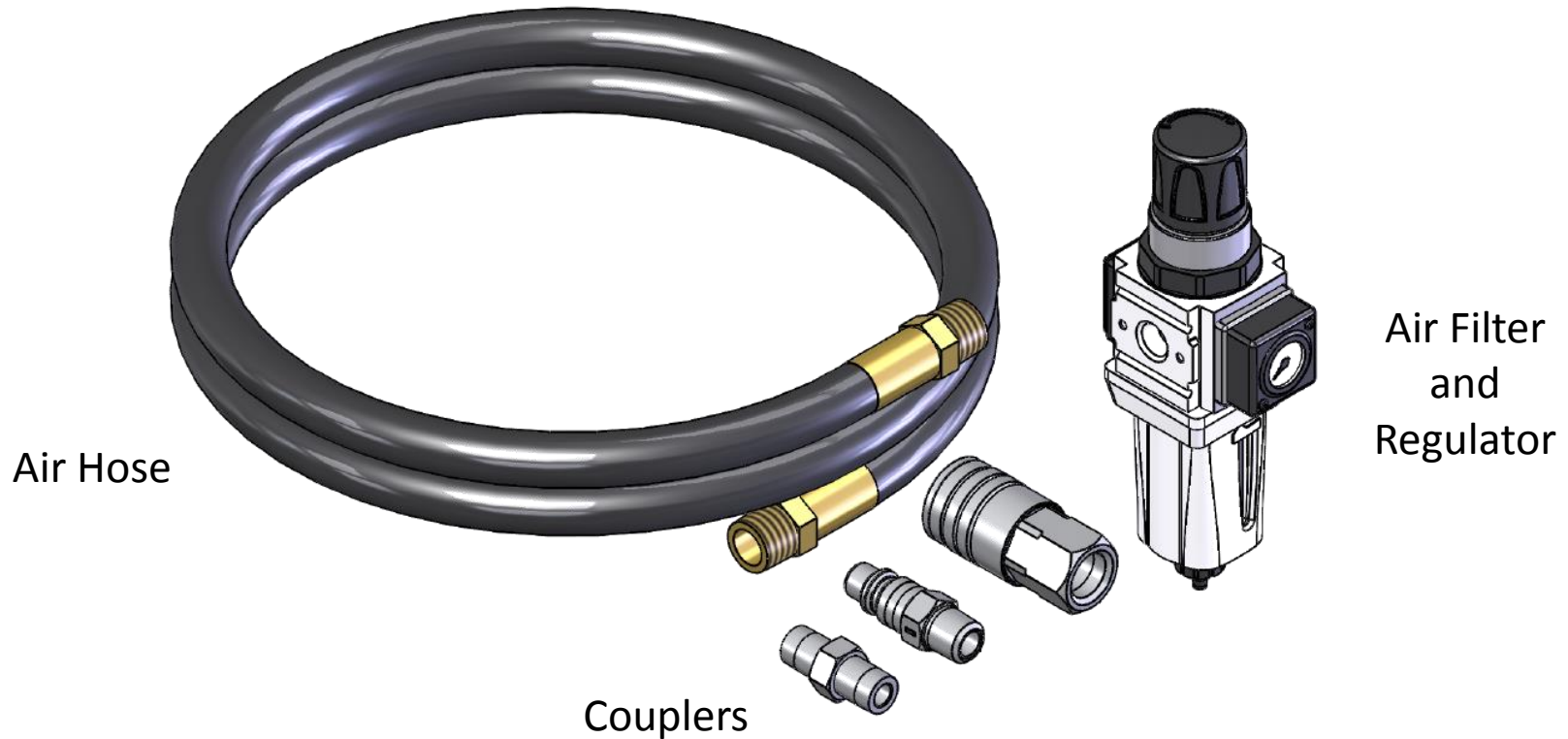
KITS05AVA – Air Valve Assembly Kit

- For ½" AODD models.



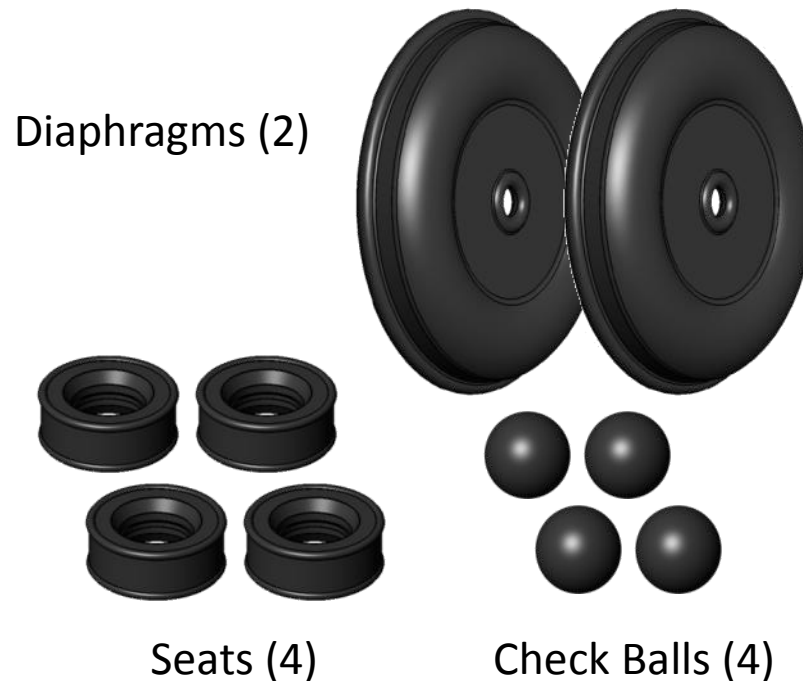
KITS05FRH – Filter/Regulator and Hose Kit

- For ½" AODD models.



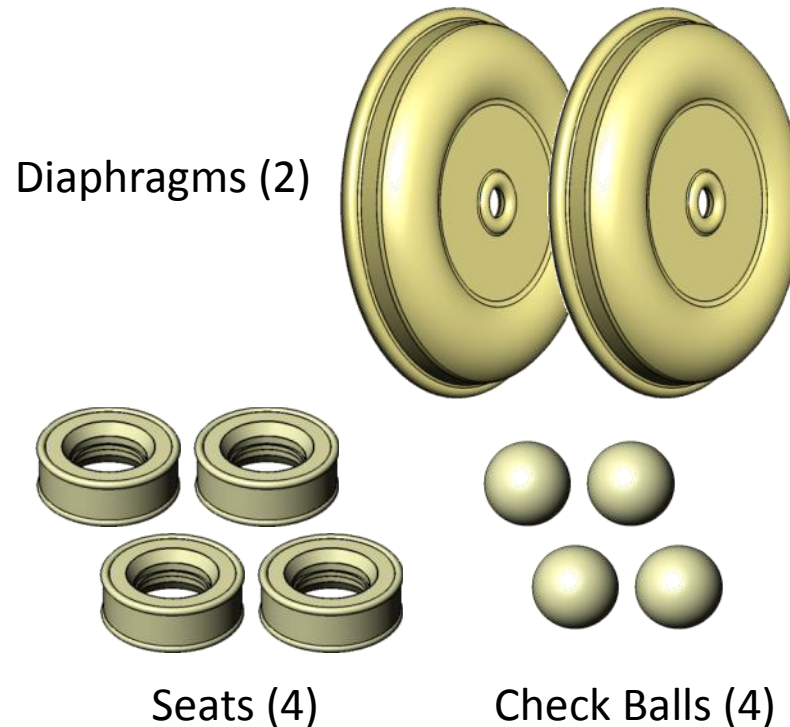
KITS05HHH – Hytrel Fluid Section Kit

- For ½" AODD models.
- All of these part are made of Hytrel.



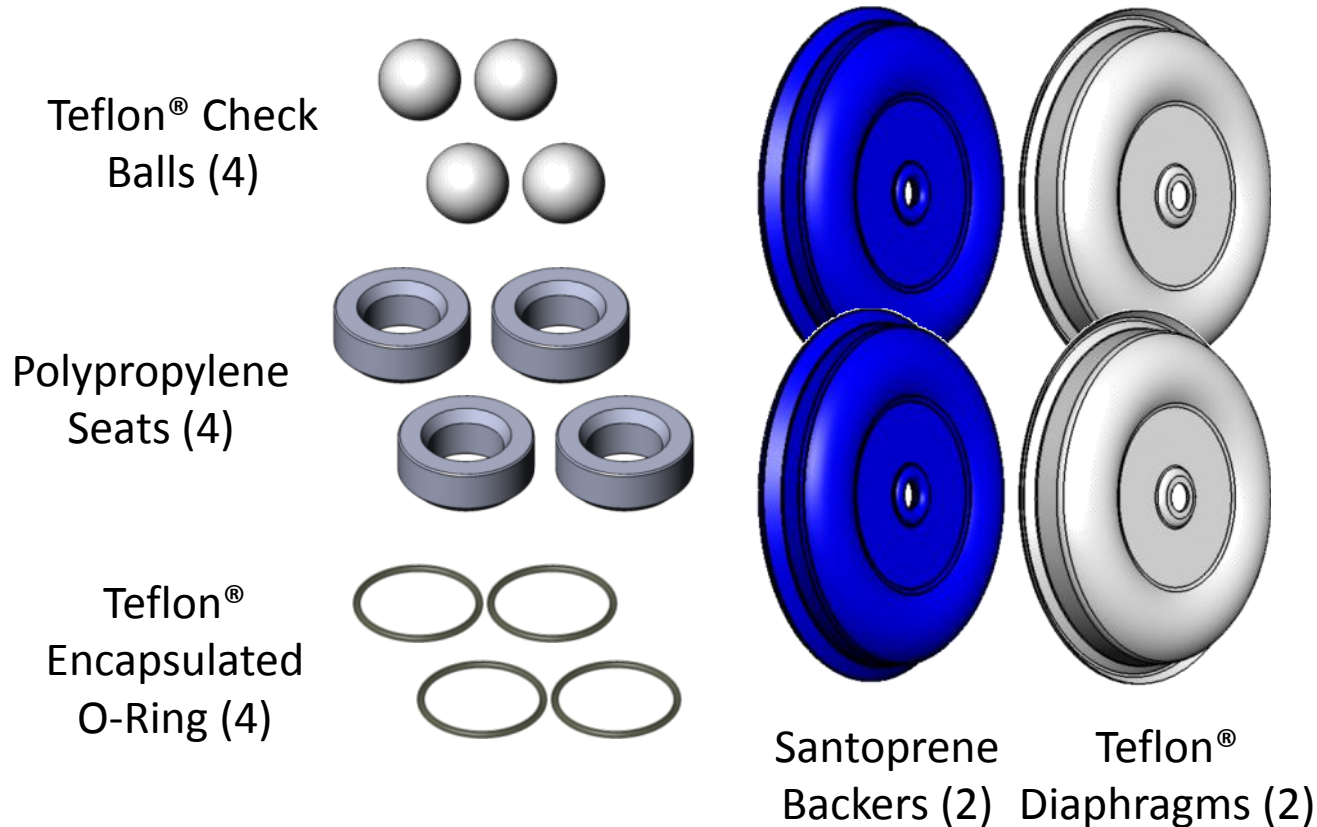
KITS05SSS – Santoprene Fluid Section Kit

- For ½" AODD models.
- All of these part are made of Santoprene.



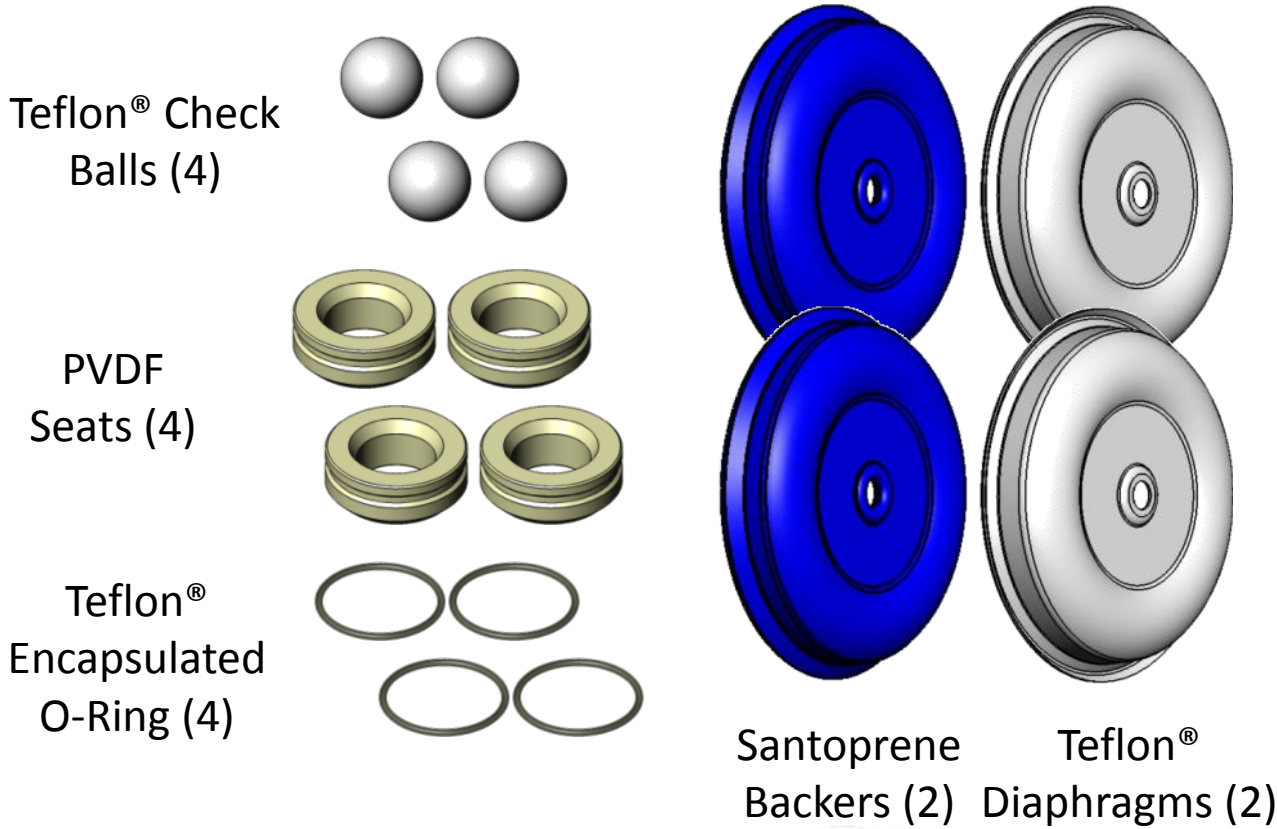
KITS05TTP – Teflon[®]/Polypropylene Fluid Section Kit

- For ½" AODD models.



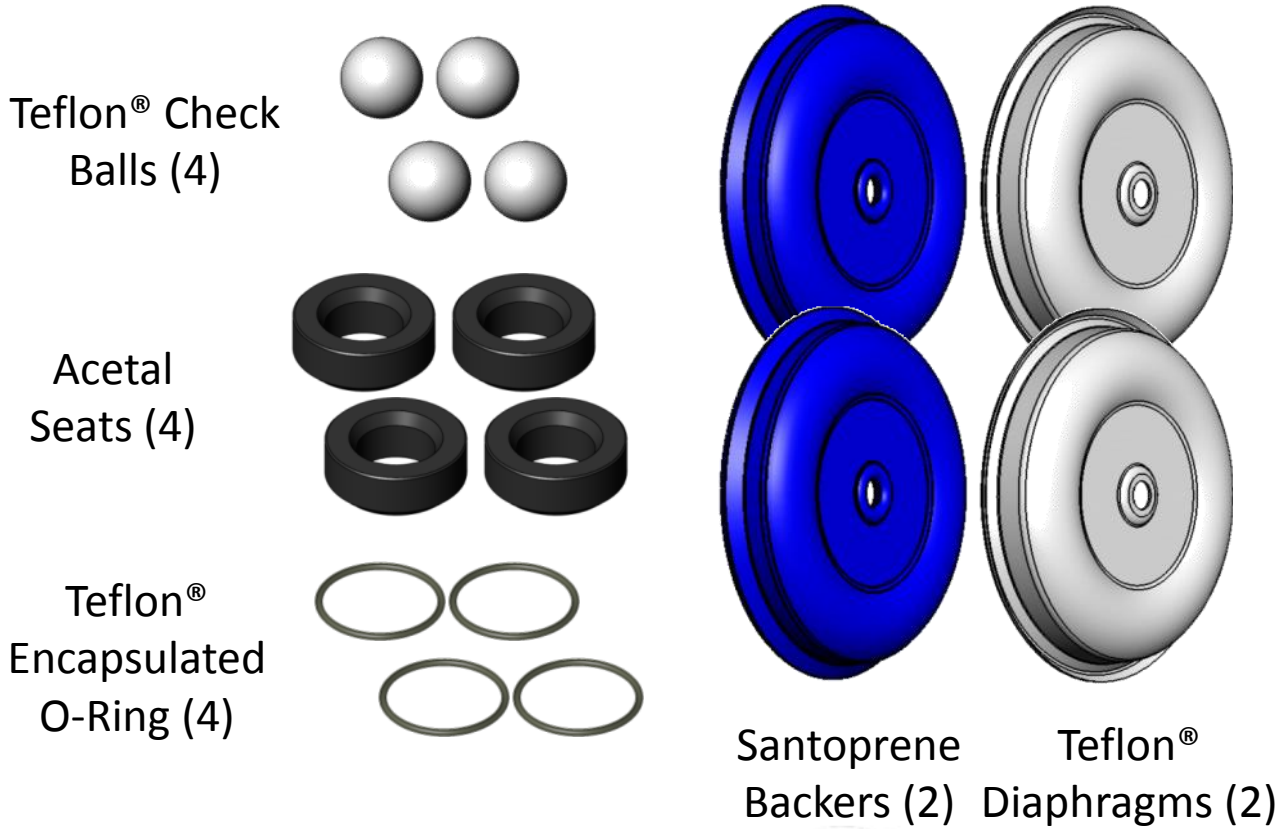
KITS05TTF – Teflon®/PVDF Fluid Section Kit

- For 1/2" AODD models.



KITS05TTD – Teflon®/Acetal Fluid Section Kit

- For 1/2" AODD models.



KITS05NDEF – DEF Hose and Manual Nozzle Kit

- For ½" AODD models.

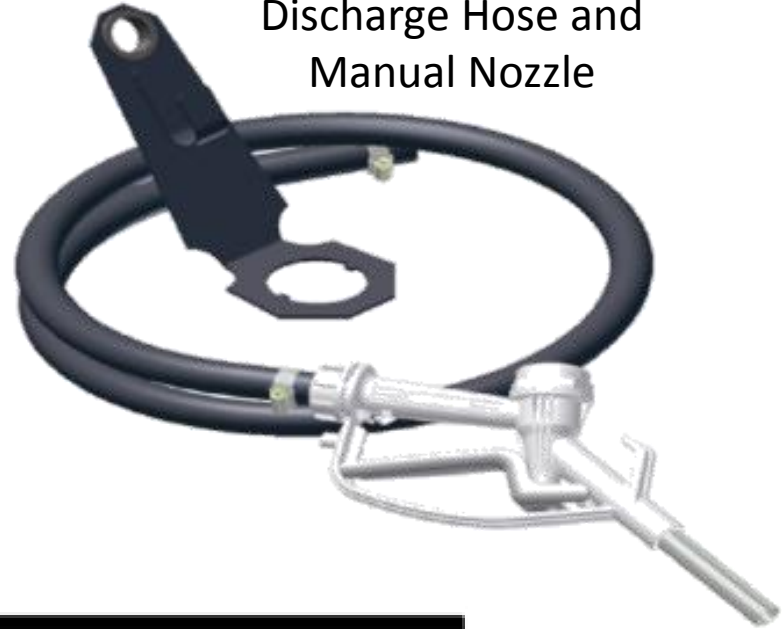
¾" Hose Clamps (2)



¾" x ½" Hose Barbs (2)



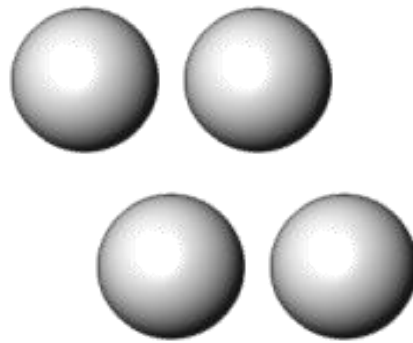
Discharge Hose and Manual Nozzle



¾" x 6' Suction Hose

KITS05TBP – Bulk Teflon® Check Ball Kit

- For ½" AODD models.



Teflon® Check
Balls (4)

KITS05TOP – Bulk Teflon® Encapsulated O-Ring Kit

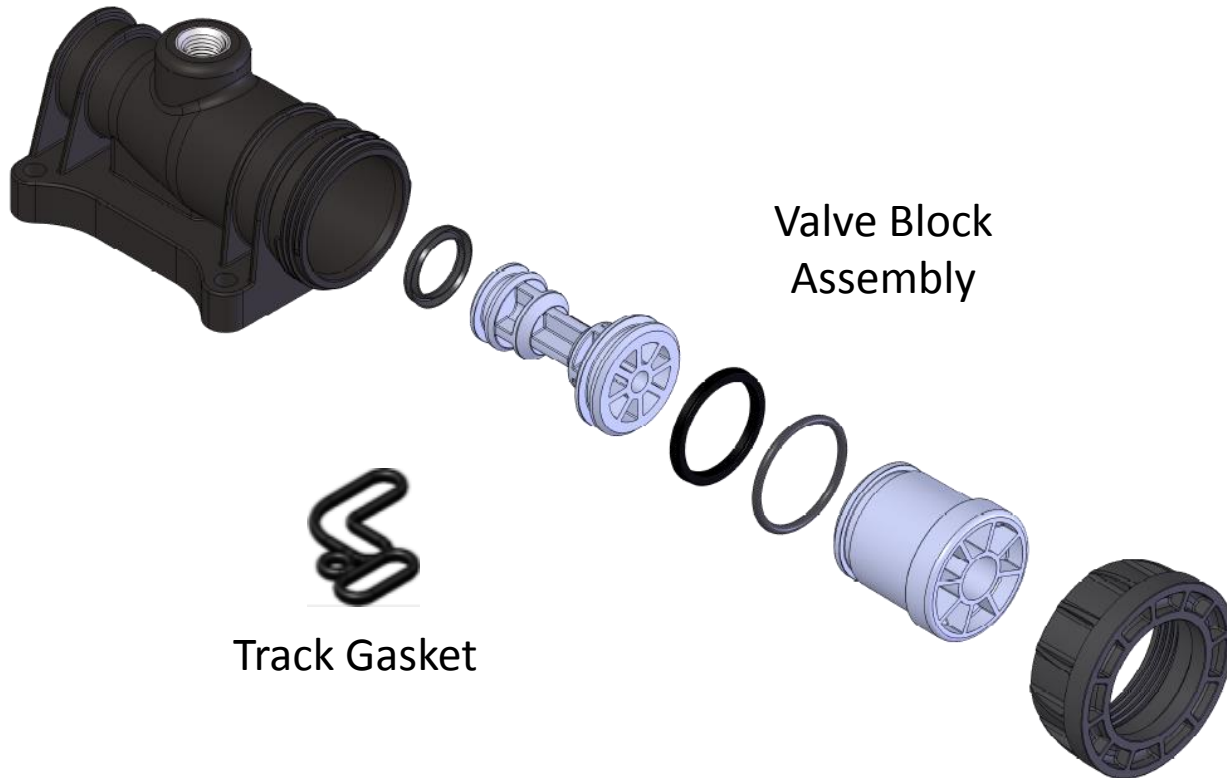
- For ½" AODD models.



Teflon®
Encapsulated
O-Ring (4)

KITS05VBC – Conductive Nylon Valve Block Kit

- For ½" and 1" AODD models.



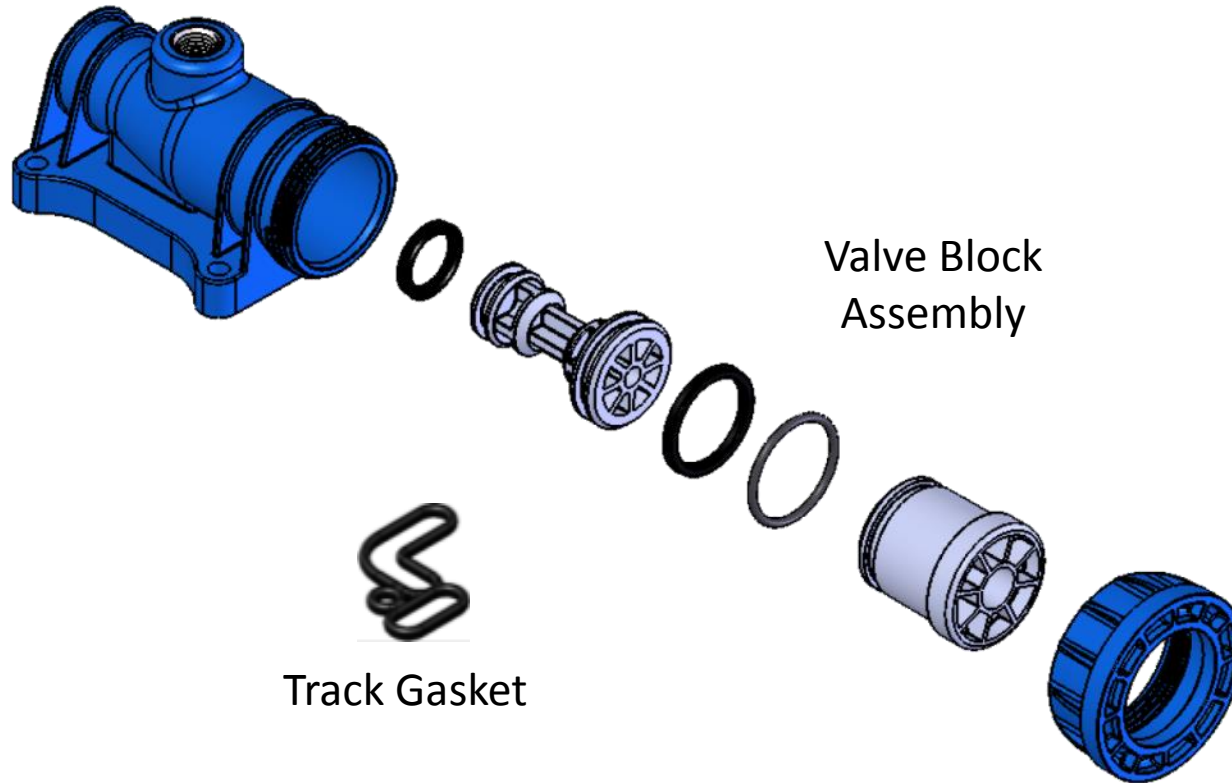
KITS05VBP – Polypropylene Valve Block Kit

Table of
Contents

½" AODD
Kits

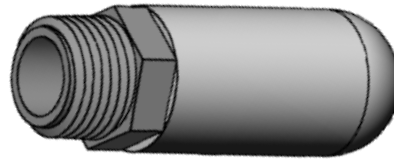
1" AODD
Kits

- For ½" and 1" AODD models.



KITS05MUF – Muffler Kit

- For ½" and 1" AODD models.



Muffler

KITS05FCD – Groundable Acetal Fluid Cap Kit

- For ½" AODD models.

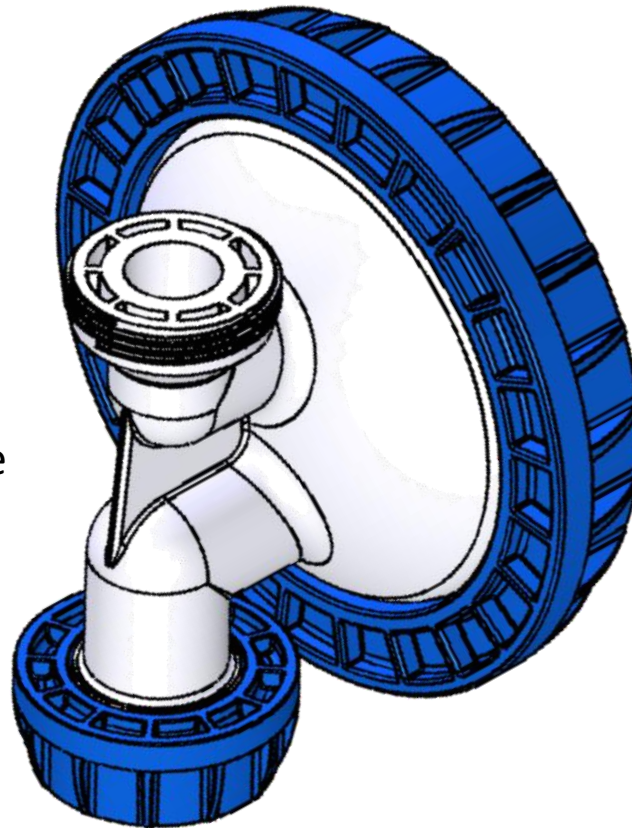
Groundable Acetal Fluid Cap



KITS05FCP – Polypropylene Fluid Cap Kit

- For ½" AODD models.

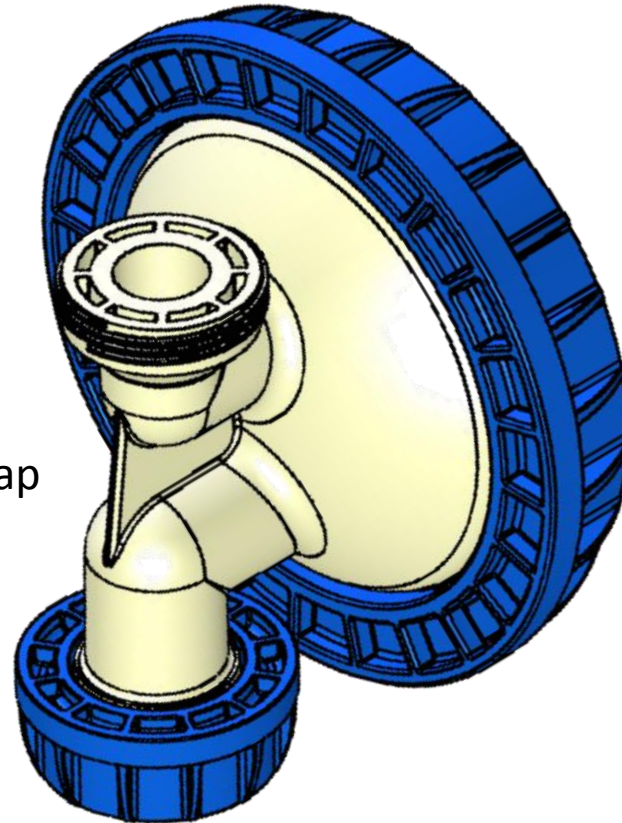
Polypropylene
Fluid Cap



KITS05FCF – PVDF Fluid Cap Kit

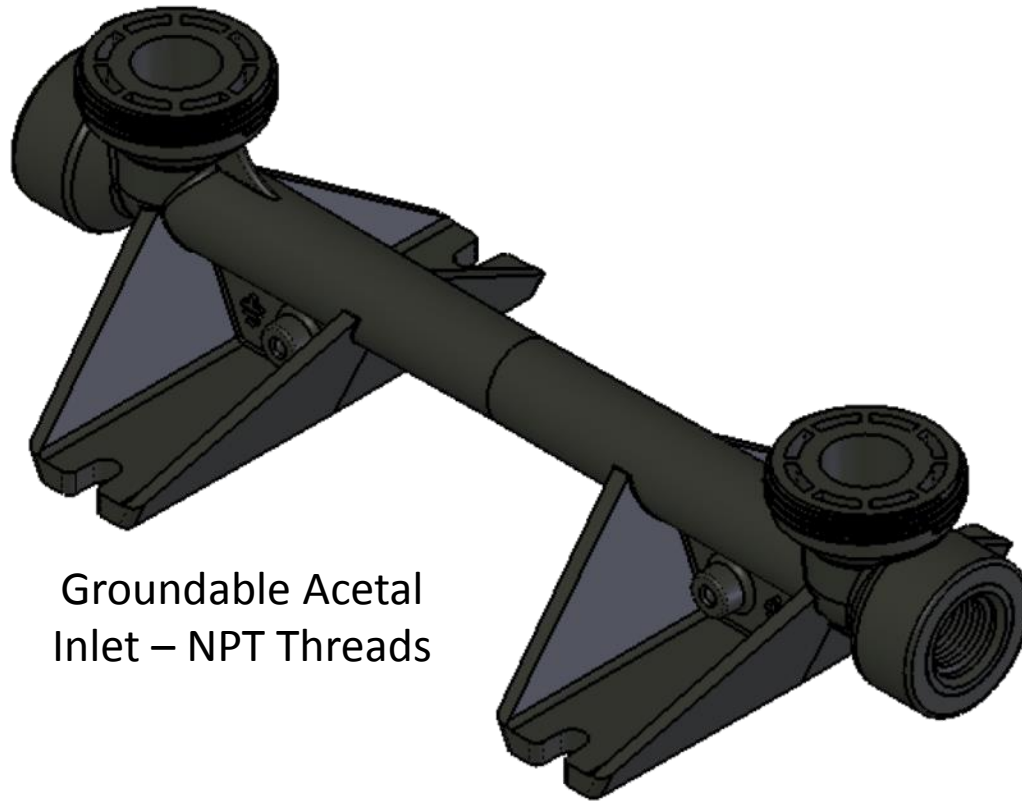
- For ½" AODD models.

PVDF Fluid Cap



KITS05NID – Groundable Acetal Inlet – NPT Threads

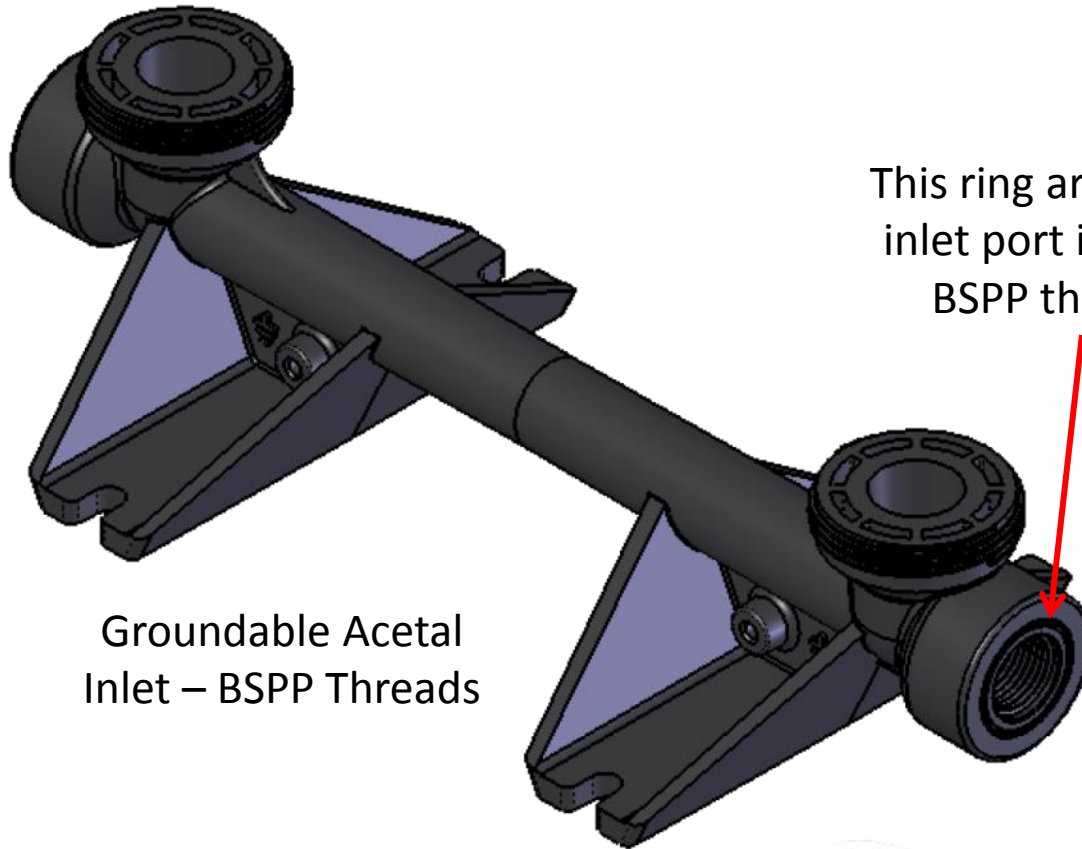
- For ½" AODD models.



Groundable Acetal
Inlet – NPT Threads

KITS05BID – Groundable Acetal Inlet – BSPP Threads

- For ½" AODD models.

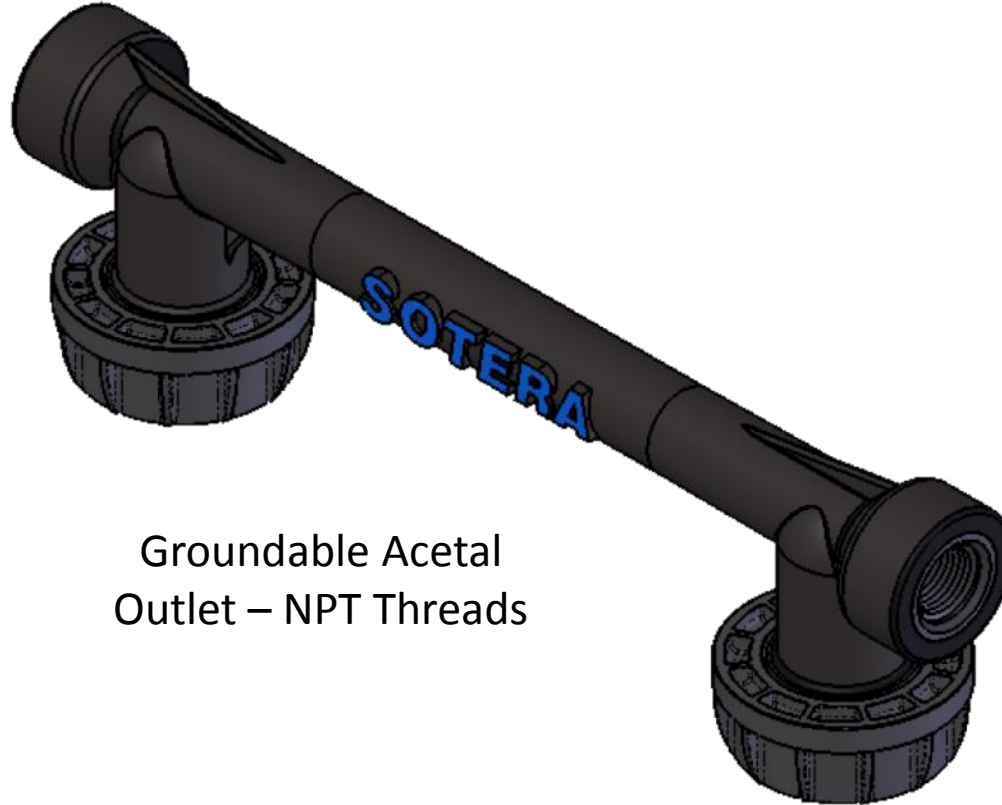


This ring around the
inlet port indicates
BSPP threads.

Groundable Acetal
Inlet – BSPP Threads

KITS05NOD – Groundable Acetal Outlet – NPT Threads

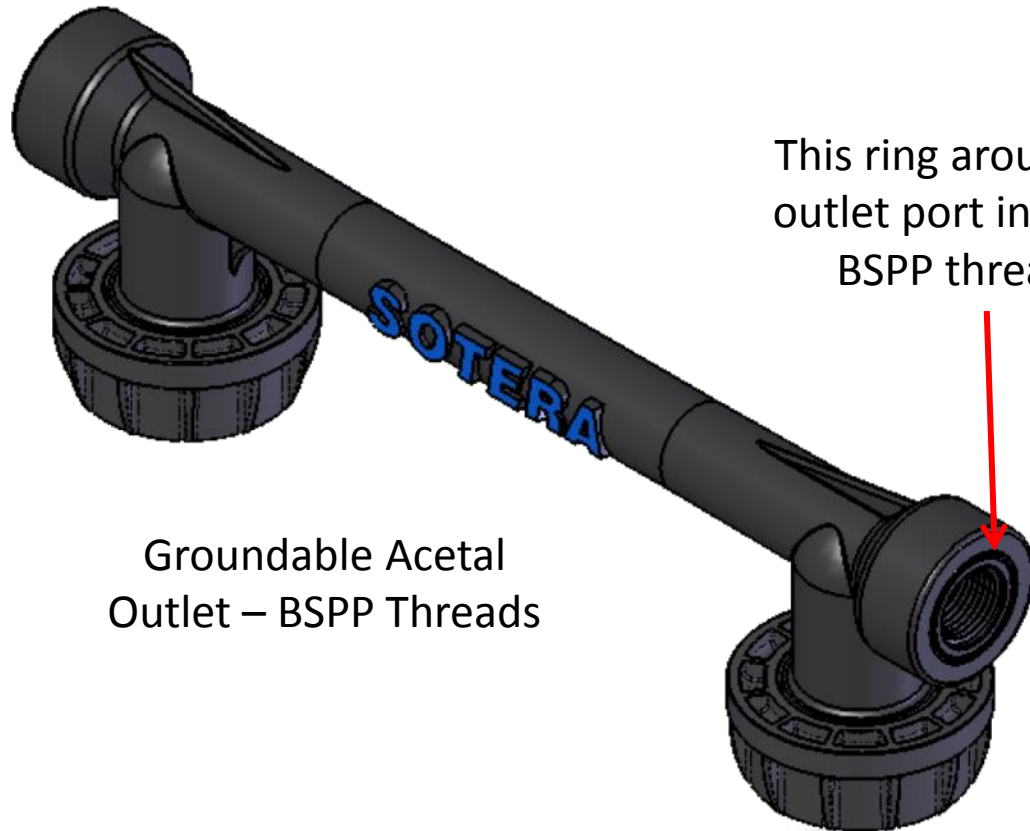
- For ½" AODD models.



Groundable Acetal
Outlet – NPT Threads

KITS05BOD – Groundable Acetal Outlet – BSPP Threads

- For ½" AODD models.

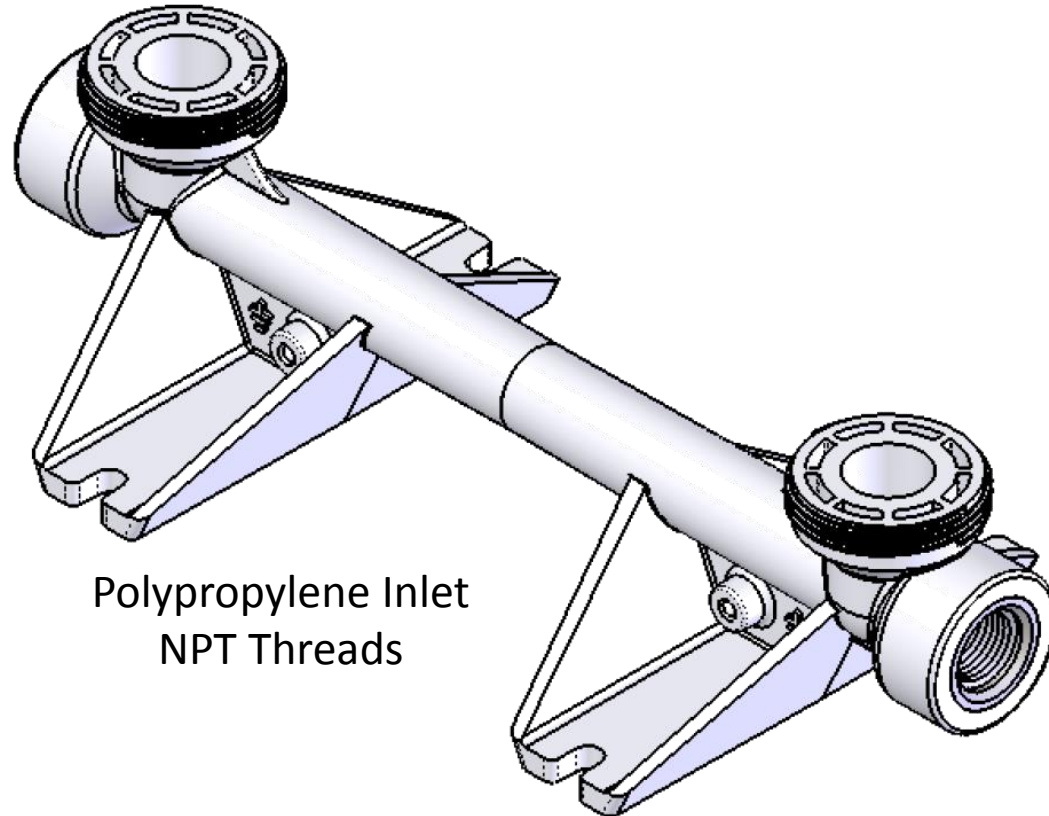


This ring around the
outlet port indicates
BSPP threads.

Groundable Acetal
Outlet – BSPP Threads

KITS05NIP – Polypropylene Inlet – NPT Threads

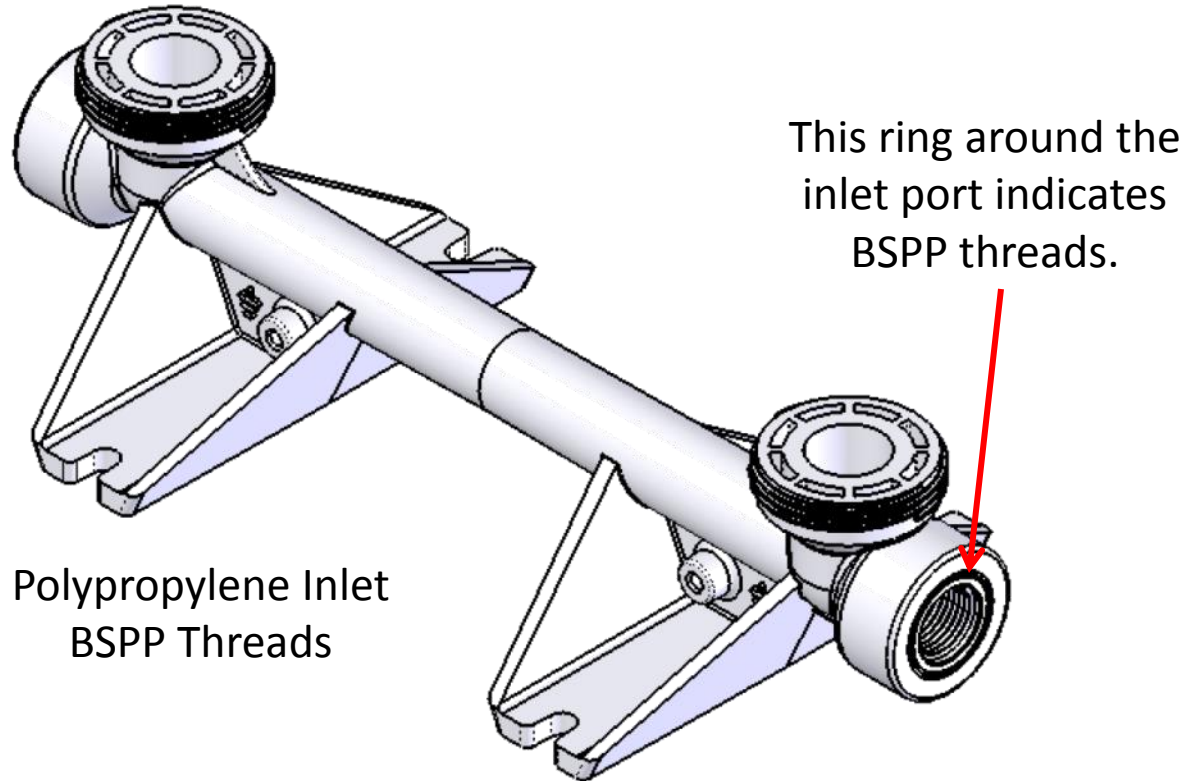
- For ½" AODD models.



Polypropylene Inlet
NPT Threads

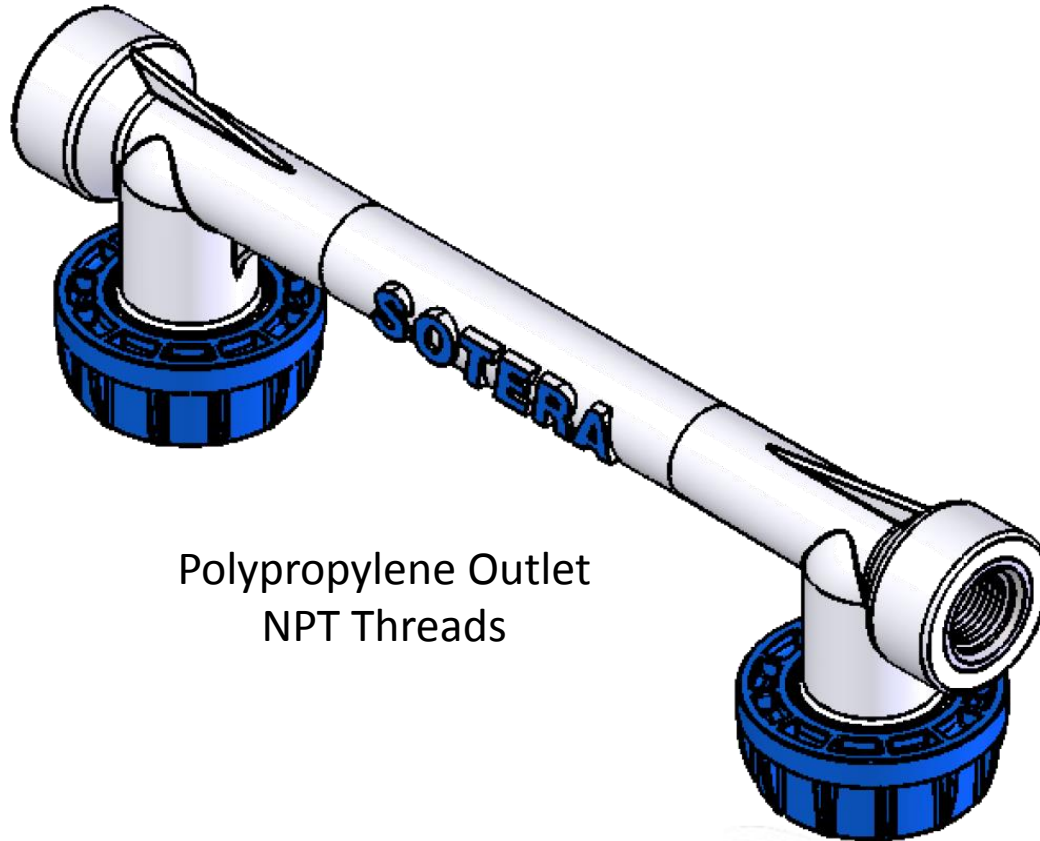
KITS05BIP – Polypropylene Inlet – BSPP Threads

- For ½" AODD models.



KITS05NOP – Polypropylene Outlet – NPT Threads

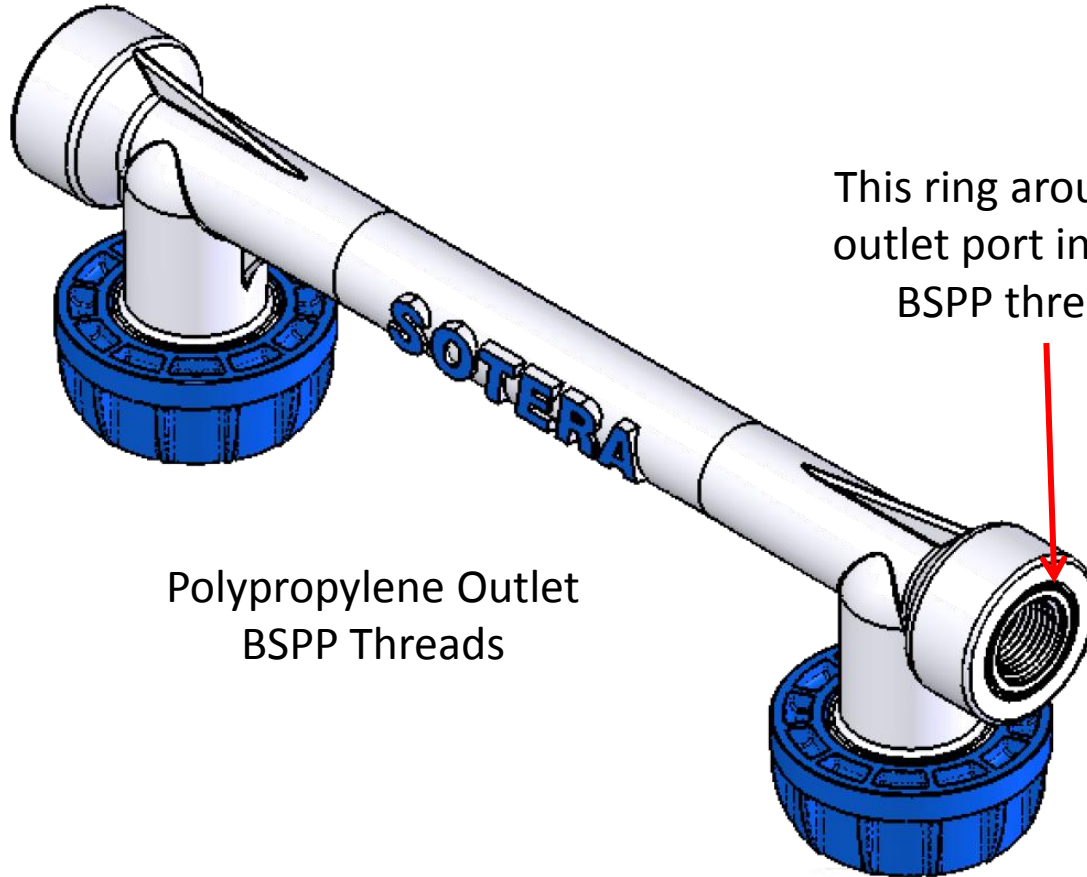
- For ½" AODD models.



Polypropylene Outlet
NPT Threads

KITS05BOP – Polypropylene Outlet – BSPP Threads

- For ½" AODD models.

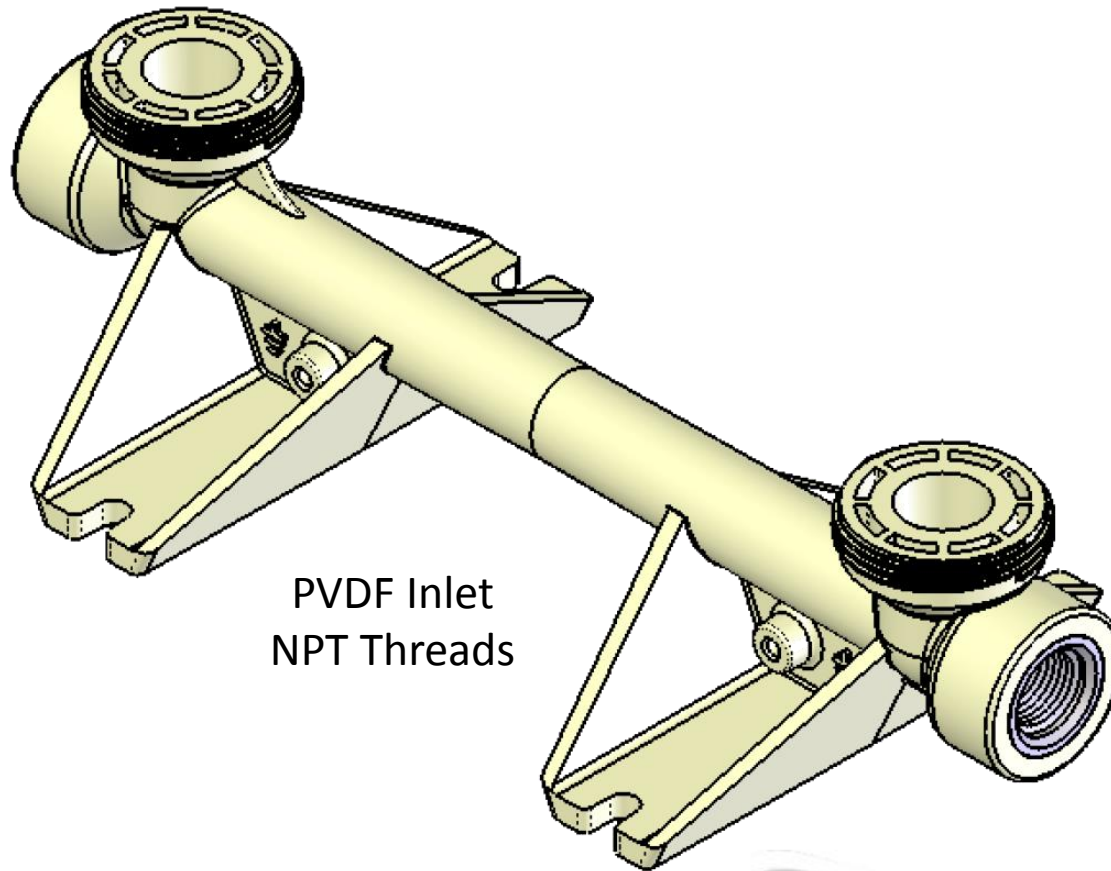


This ring around the
outlet port indicates
BSPP threads.

Polypropylene Outlet
BSPP Threads

KITS05NIF – PVDF Inlet – NPT Threads

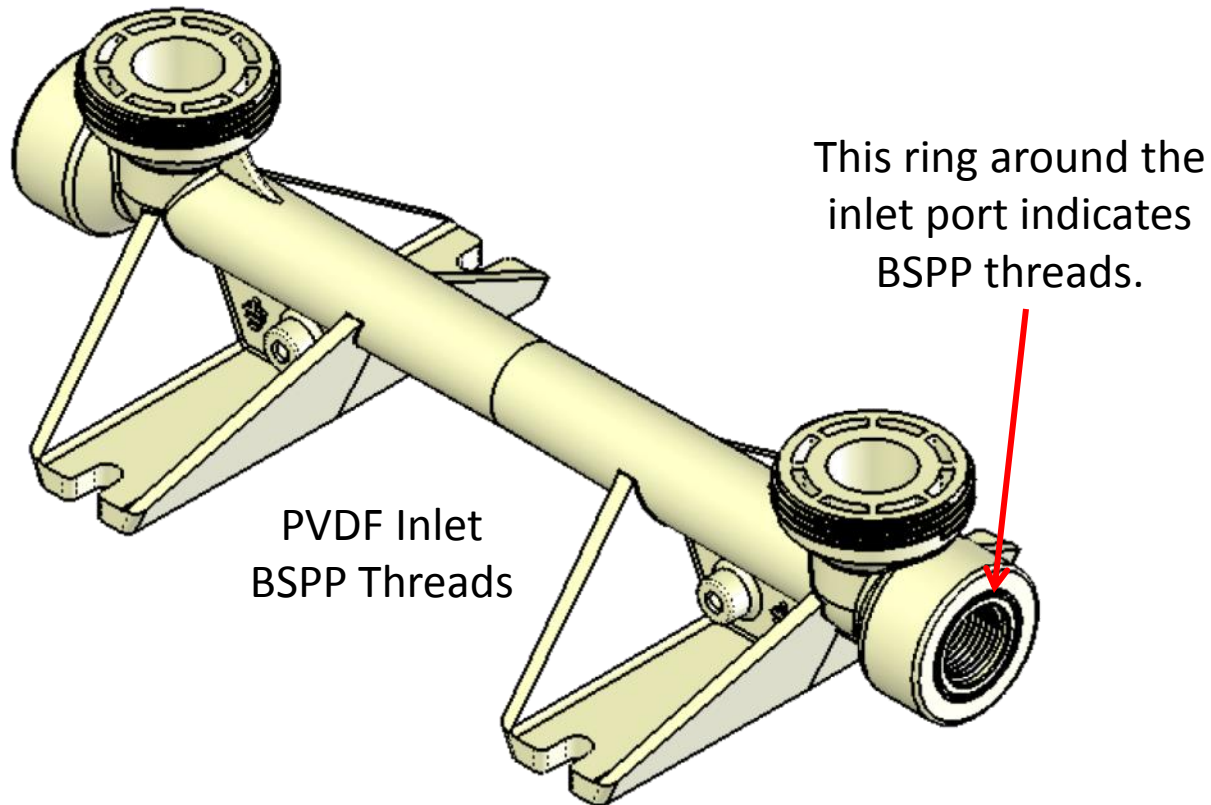
- For ½" AODD models.



PVDF Inlet
NPT Threads

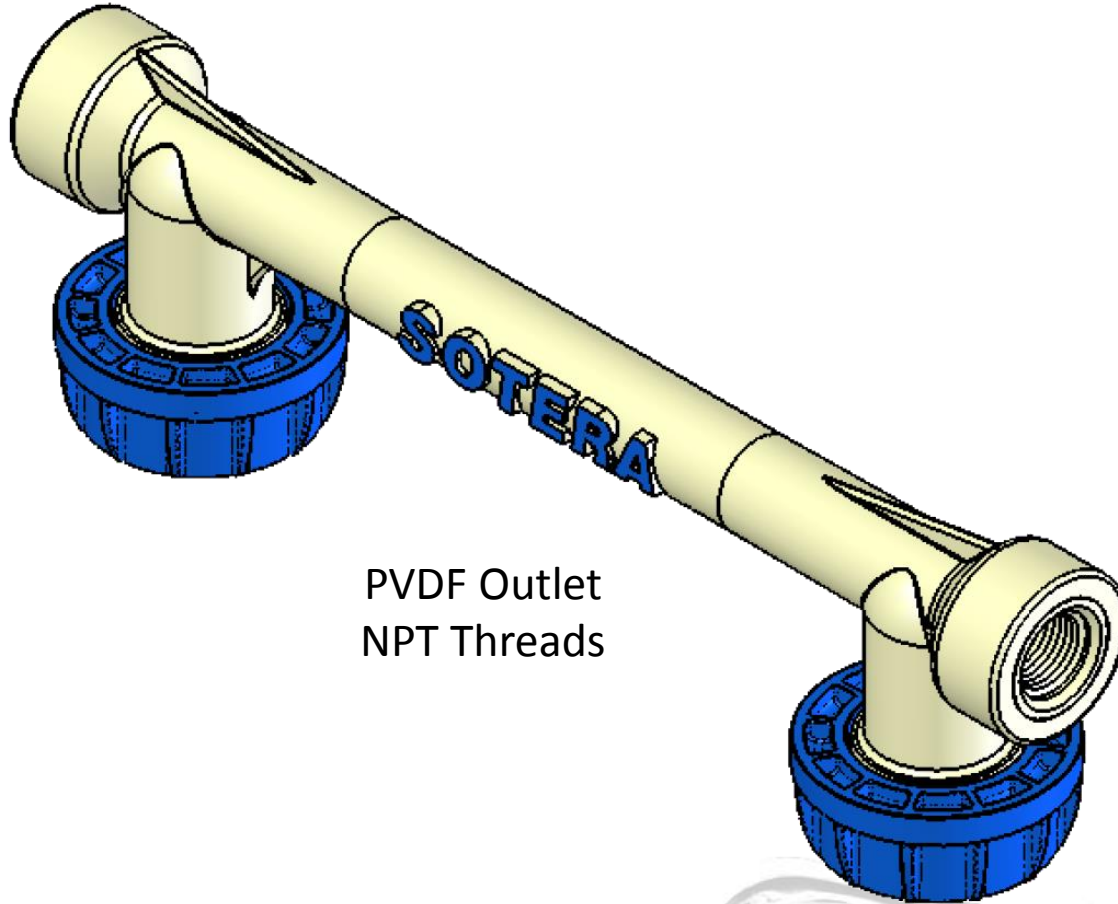
KITS05BIF – PVDF Inlet – BSPP Threads

- For ½" AODD models.



KITS05NOF – PVDF Outlet – NPT Threads

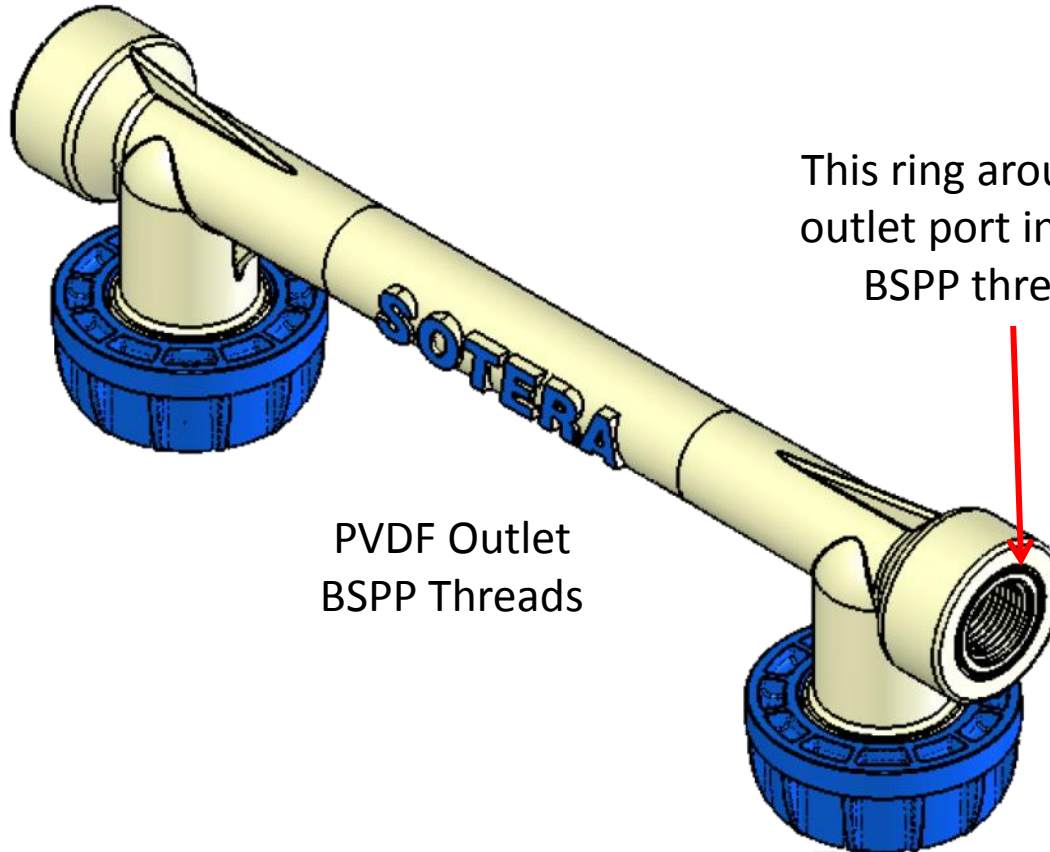
- For ½" AODD models.



PVDF Outlet
NPT Threads

KITS05BOF – PVDF Outlet – BSPP Threads

- For ½" AODD models.

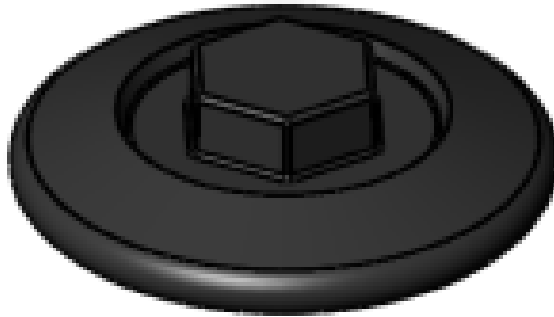


This ring around the outlet port indicates BSPP threads.

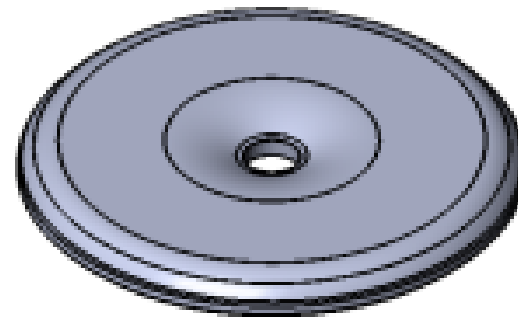
PVDF Outlet
BSPP Threads

KITS05NWD – Groundable Acetal Nut and Washer

- For ½" AODD models.



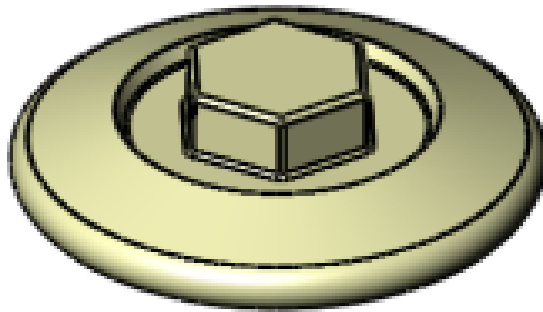
Diaphragm Nut



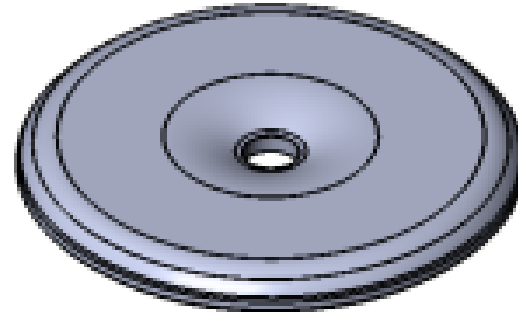
Diaphragm
Backup Washer

KITS05NWF – PVDF Nut and Washer

- For ½" AODD models.



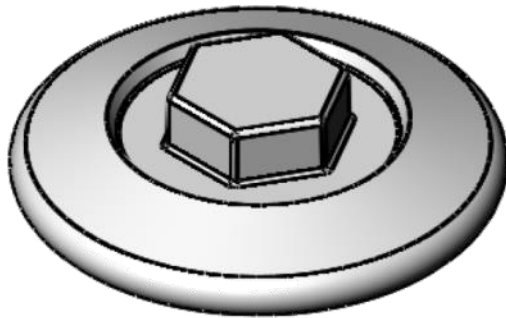
Diaphragm Nut



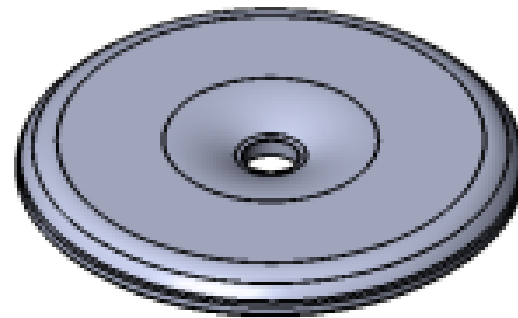
Diaphragm
Backup Washer

KITS05NWP – Polypropylene Nut and Washer

- For ½" AODD models.



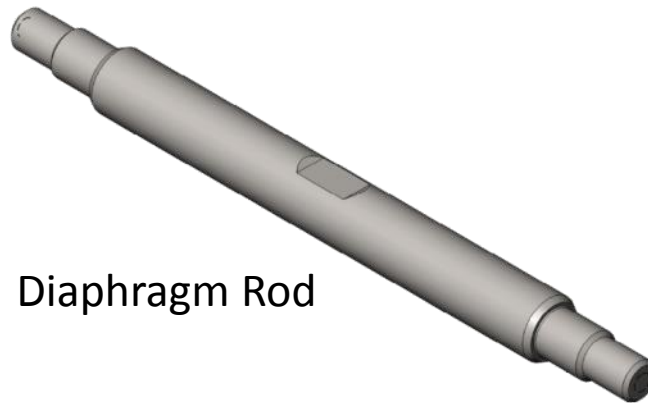
Diaphragm Nut



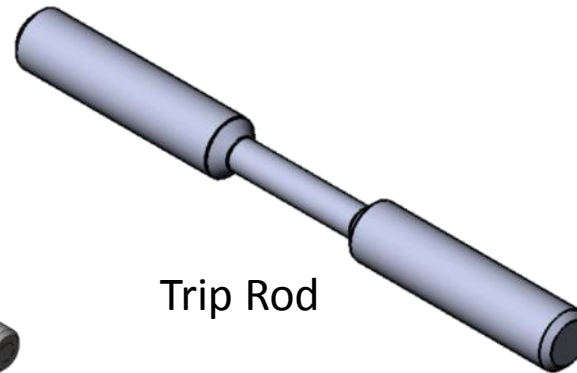
Diaphragm
Backup Washer

KITS05ROD – Diaphragm and Trip Rods

- For ½" AODD models.



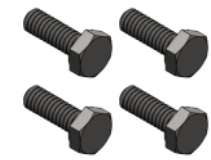
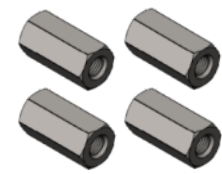
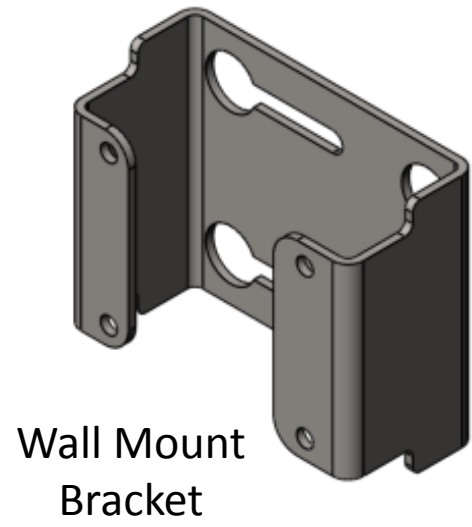
Diaphragm Rod



Trip Rod

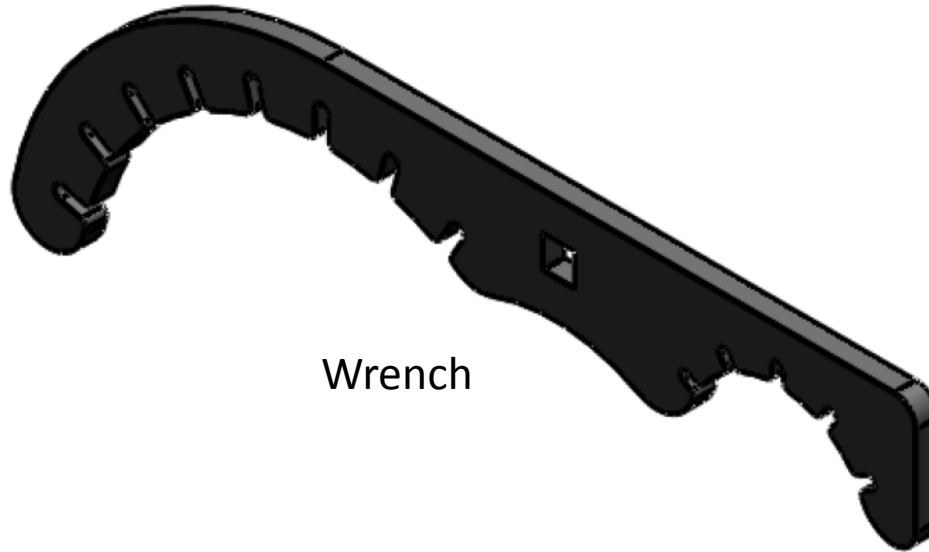
KITS05WMA – Wall Mount Bracket

- For ½" AODD models.



KITS05WCH – Wrench

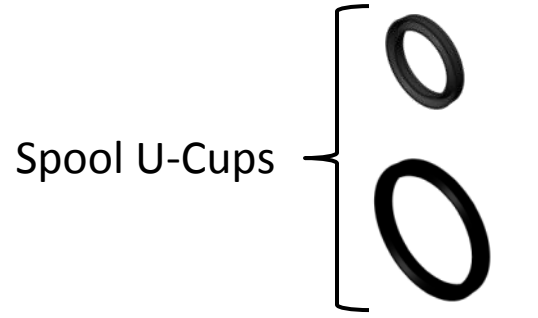
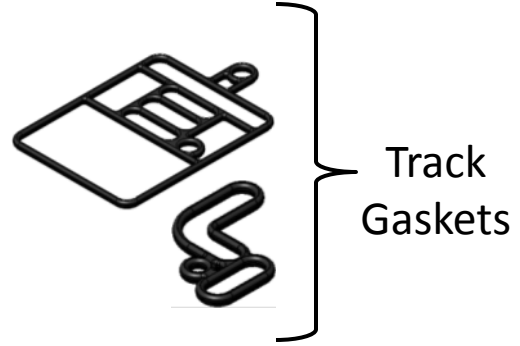
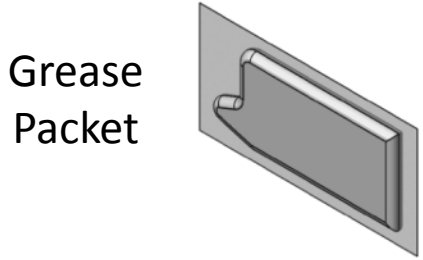
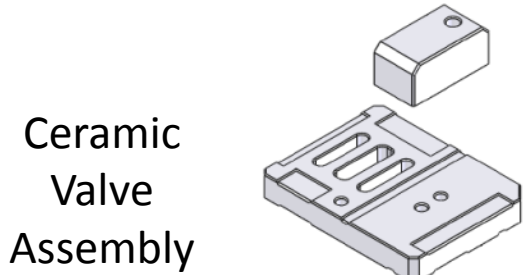
- For ½" AODD models.



Wrench

KITS10AVA – Air Valve Assembly Kit

- For 1" AODD models.



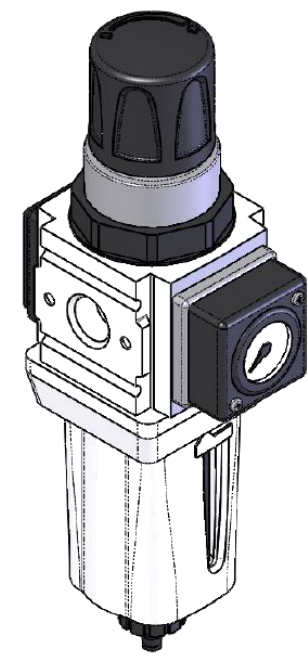
KITS10FRH – Filter/Regulator and Hose Kit

- For 1" AODD models.

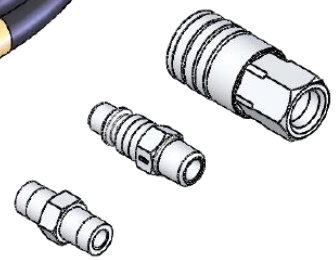
Air Hose



Air Filter and Regulator

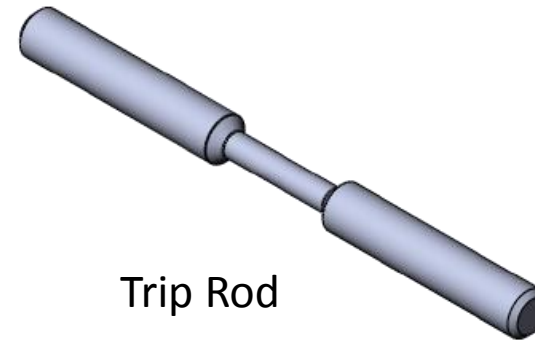
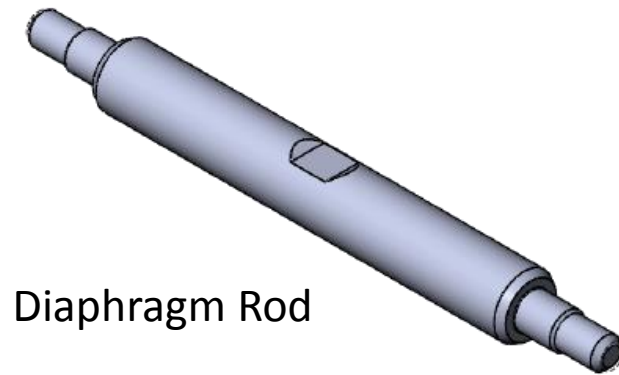


Couplers



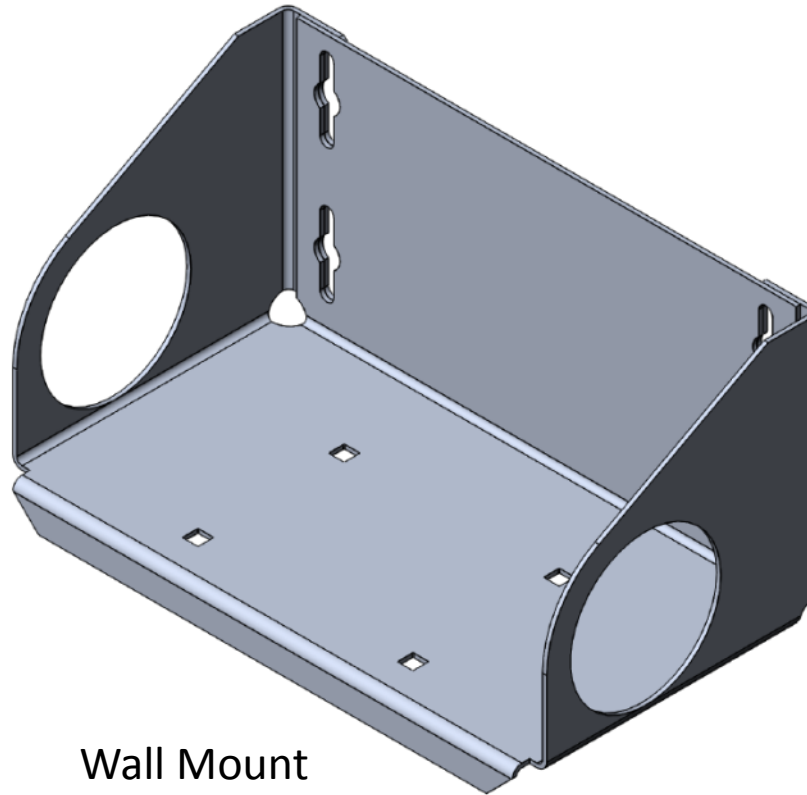
KITS10ROD – Diaphragm and Trip Rods

- For 1" AODD models.



KITS10WMA – Wall Mount Bracket

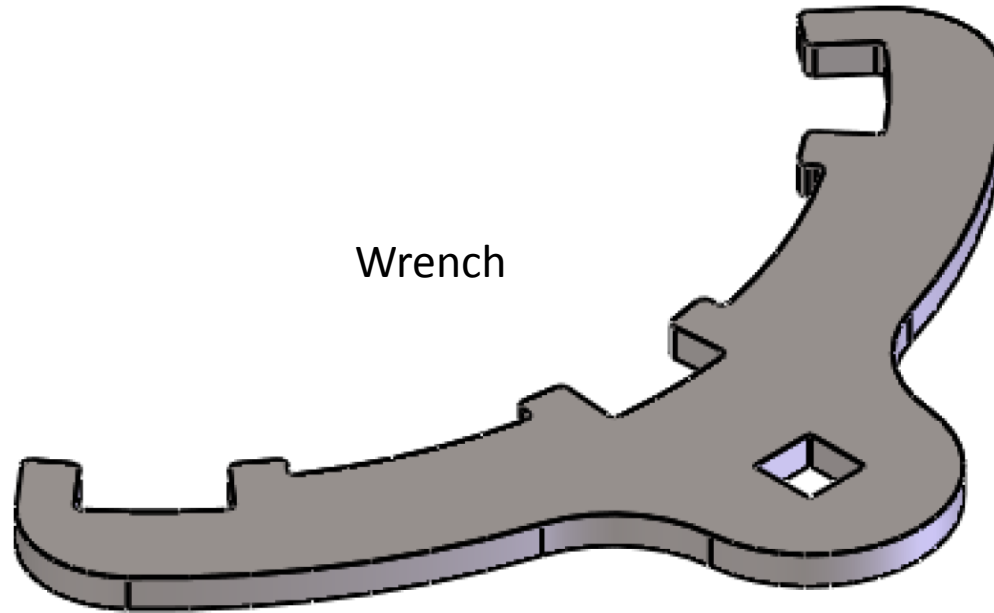
- For 1" AODD models.



Wall Mount
Bracket

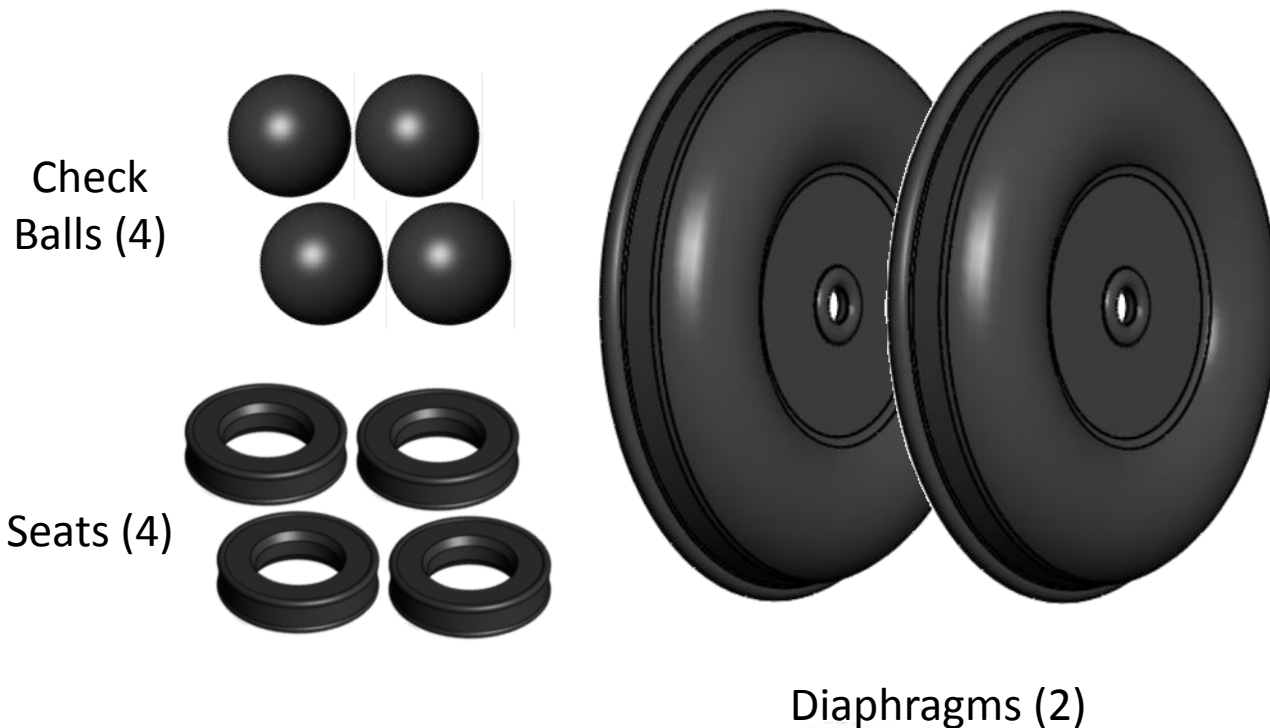
KITS10WCH – Wrench

- For 1" AODD models.



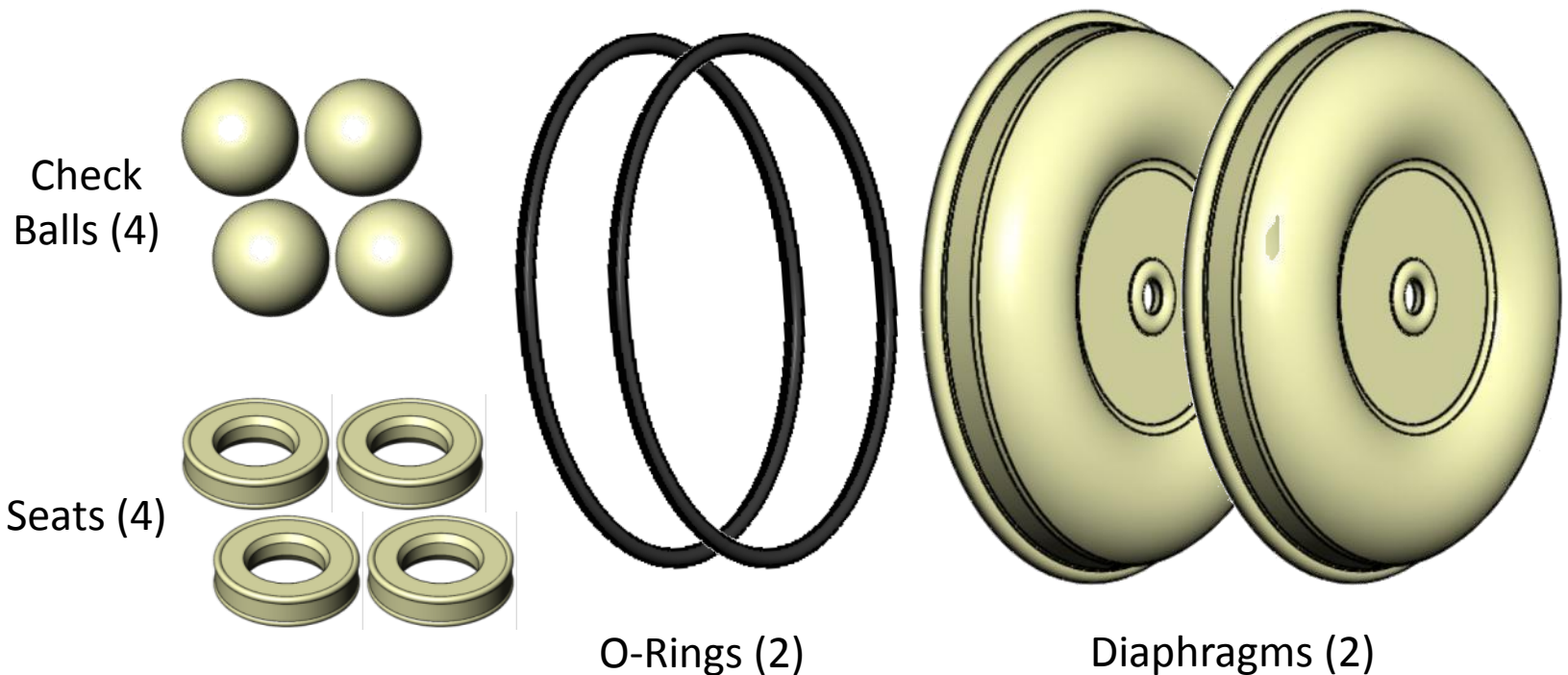
KITS10HHH – Hytrel Fluid Section Kit

- For 1" AODD models.
- All of these part are made of Hytrel.



KITS10SSS – Santoprene Fluid Section Kit

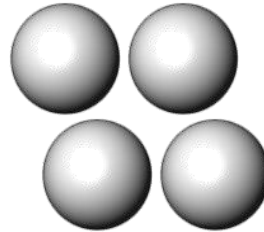
- For 1" AODD models.
- All of these part are made of Santoprene.



KITS10TTP – Teflon® / Polypropylene Fluid Section Kit

- For 1" AODD models.

Teflon® Check
Balls (4)



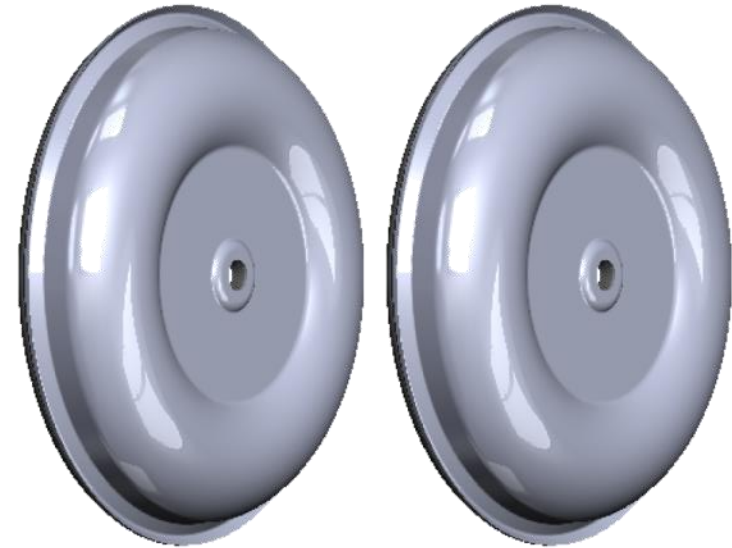
Polypropylene
Seats (4)



Teflon® Encapulated
O-Rings (4)

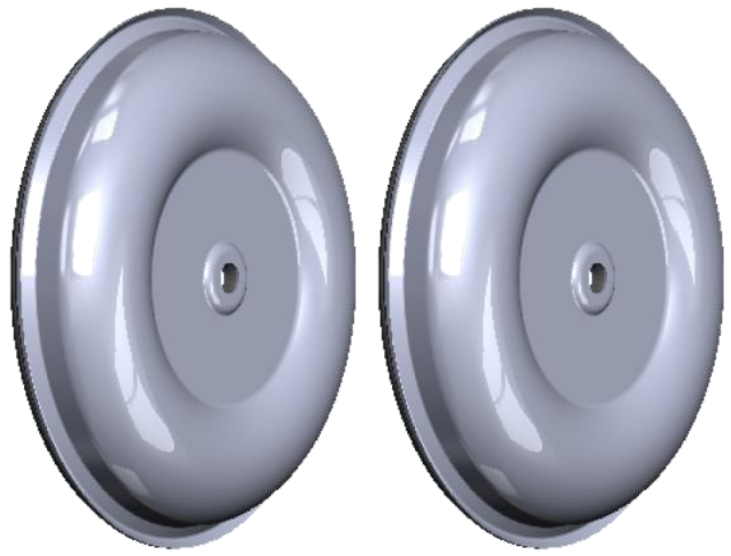
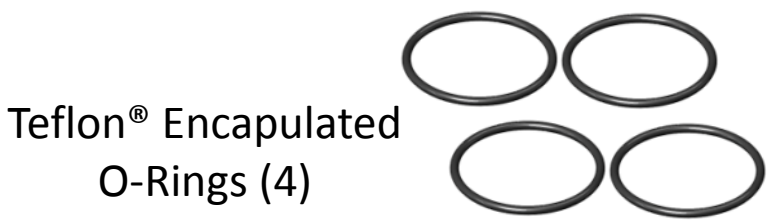
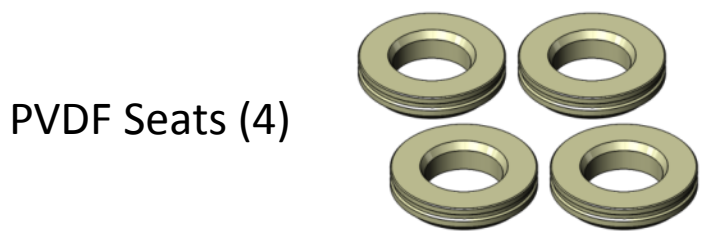
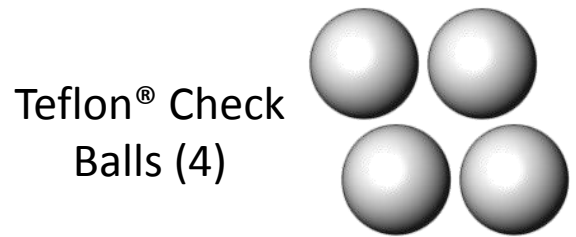


Teflon®
Diaphragms (2)



KITS10TTF – Teflon® / PVDF Fluid Section Kit

- For 1" AODD models.

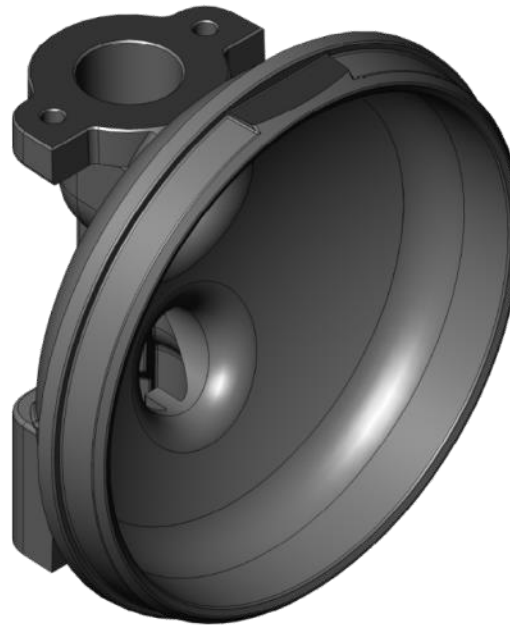


KITS10FCA – Aluminum Fluid Cap Kit

- For 1" AODD models.



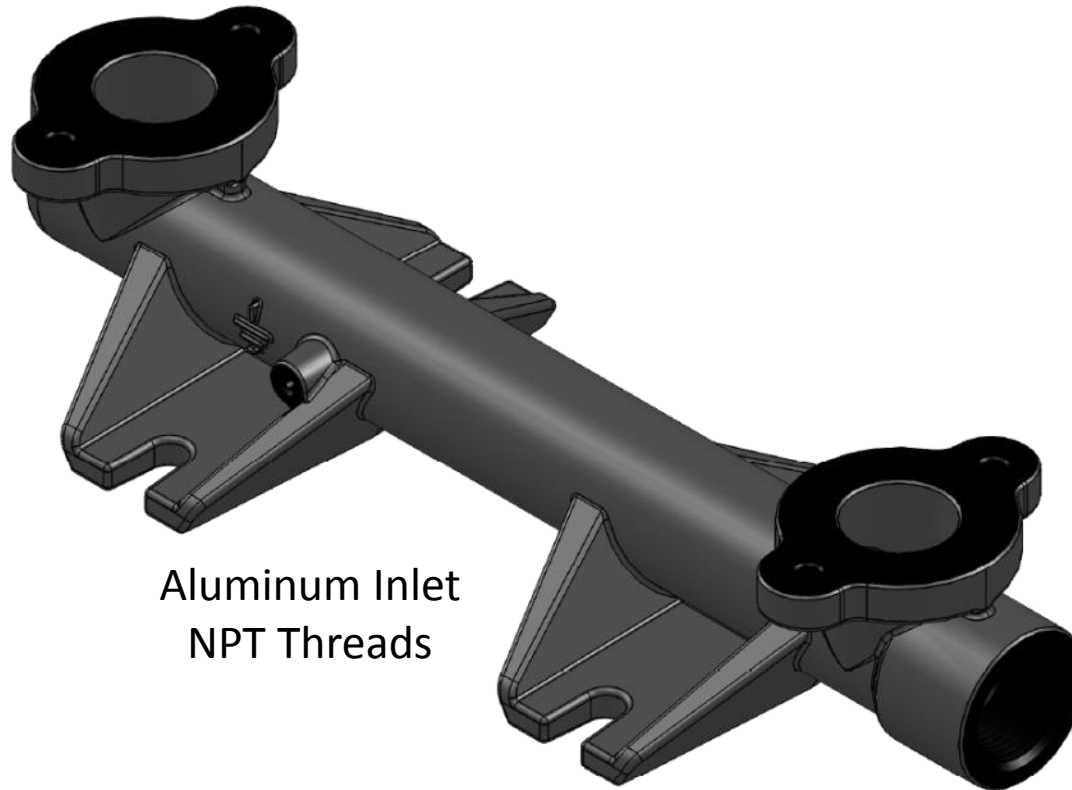
Aluminum
Fluid Cap Ring



Aluminum Fluid Cap

KITS10INA – Aluminum NPT Inlet

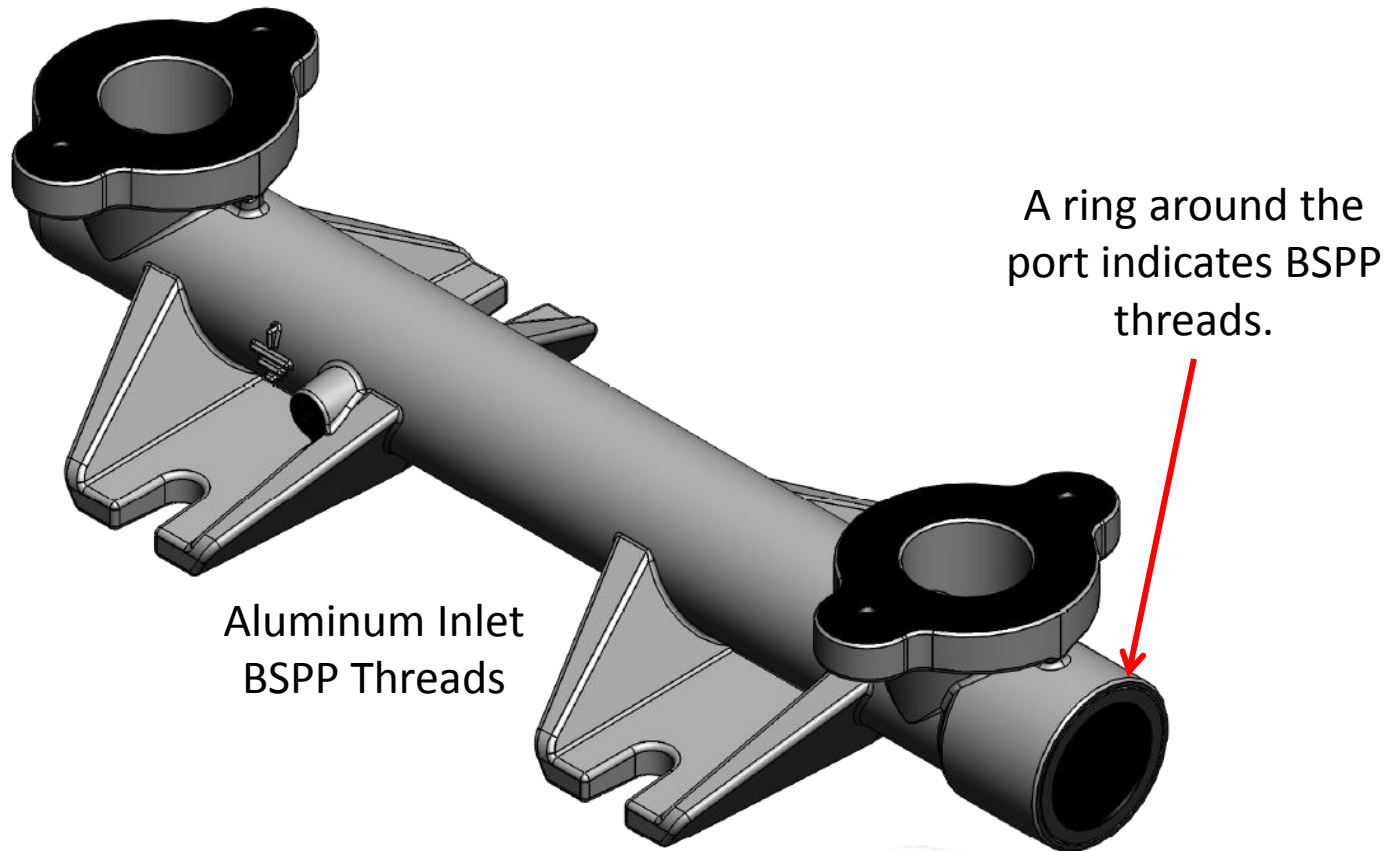
- For 1" AODD models.



Aluminum Inlet
NPT Threads

KITS10IBA – Aluminum BSPP Inlet

- For 1" AODD models.

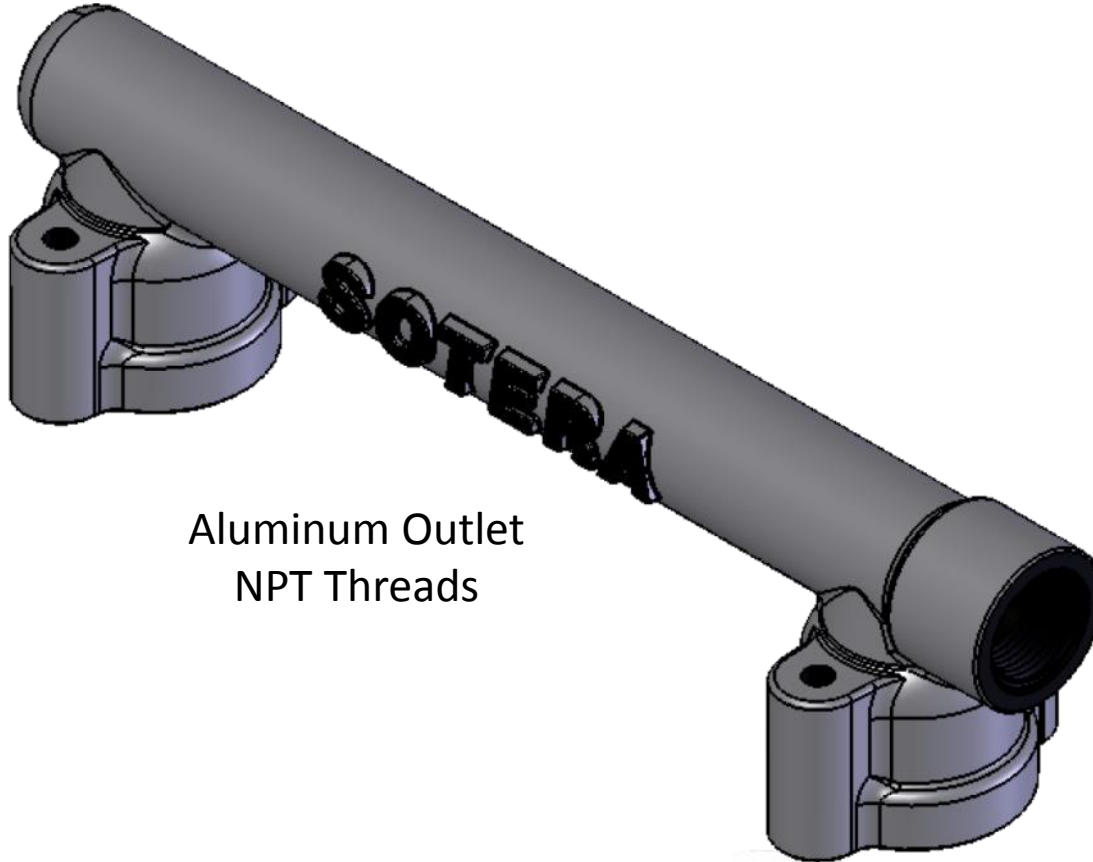


Aluminum Inlet
BSPP Threads

A ring around the
port indicates BSPP
threads.

KITS100NA – Aluminum NPT Outlet

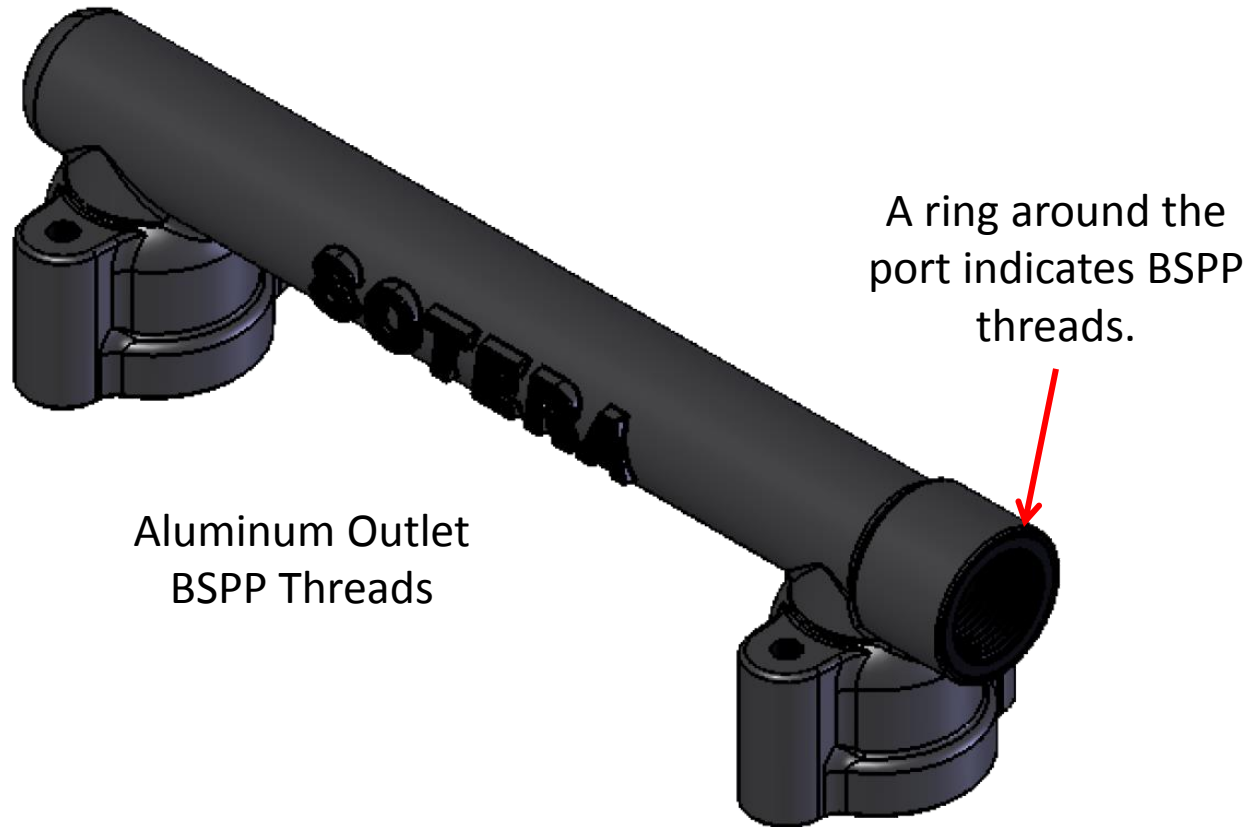
- For 1" AODD models.



Aluminum Outlet
NPT Threads

KITS100BA – Aluminum BSPP Outlet

- For 1" AODD models.

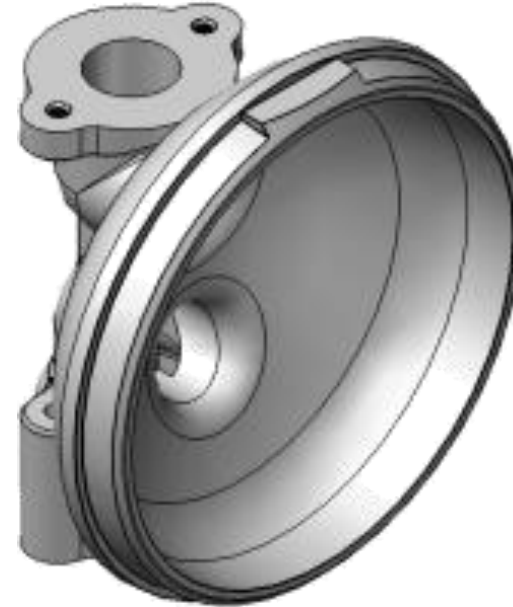


KITS10FCP – Polypropylene Fluid Cap

- For 1" AODD models.



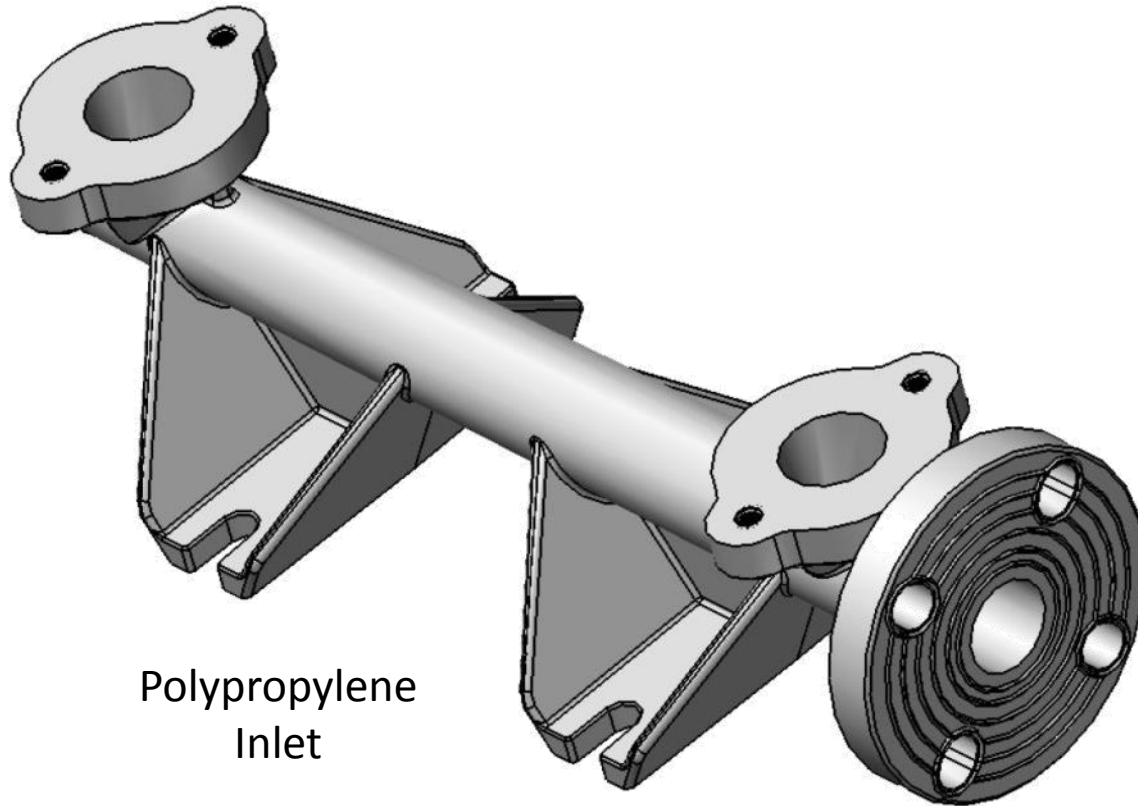
Retaining Ring



Polypropylene Fluid Cap

KITS10FIP – Polypropylene Inlet

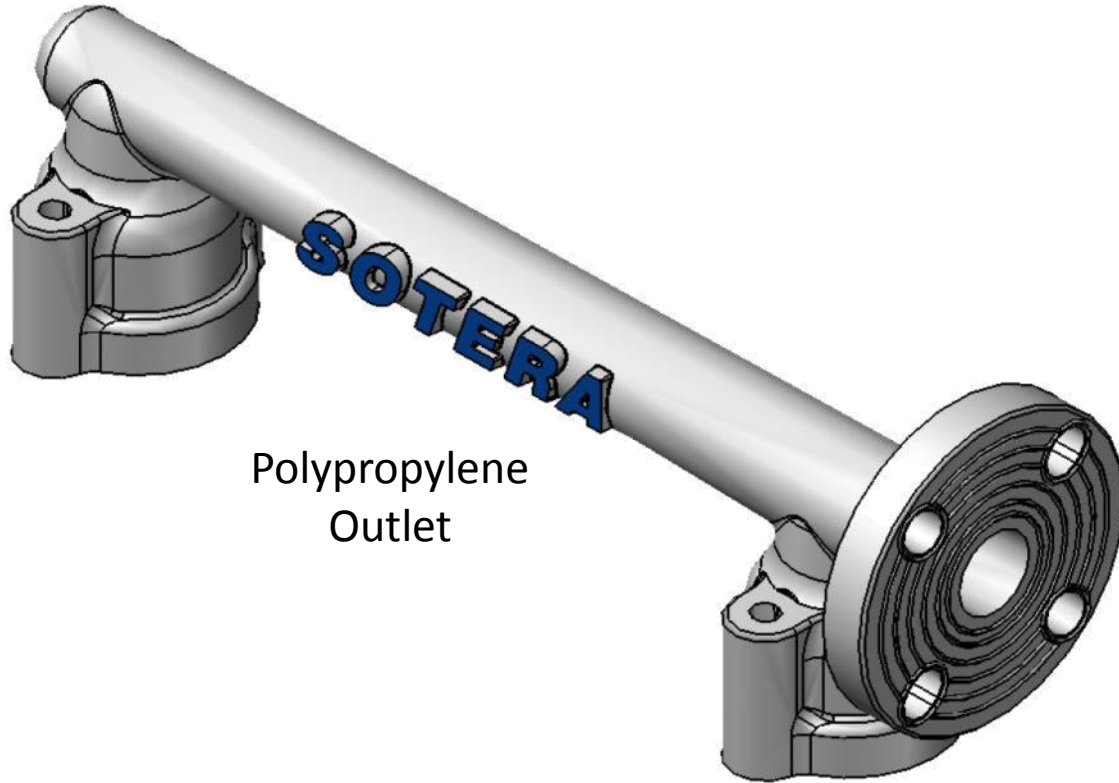
- For 1" AODD models.



Polypropylene
Inlet

KITS10FOP – Polypropylene Outlet

- For 1" AODD models.



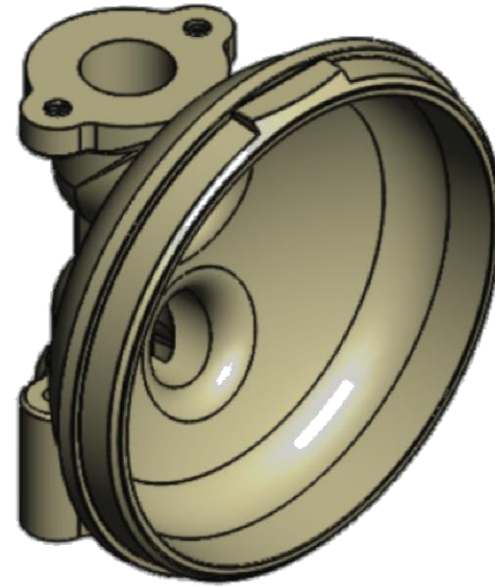
Polypropylene
Outlet

KITS10FCF – PVDF Fluid Cap

- For 1" AODD models.



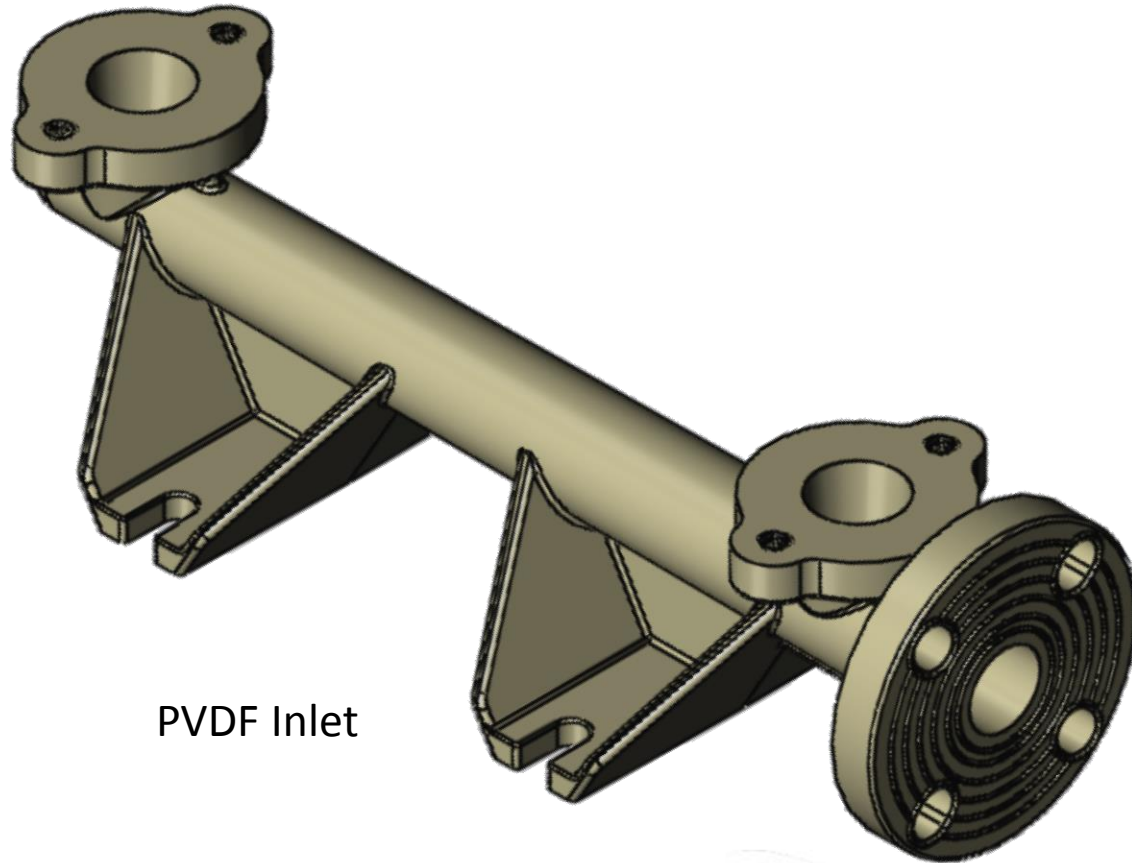
Retaining Ring



PVDF Fluid Cap

KITS10FIF – PVDF Inlet

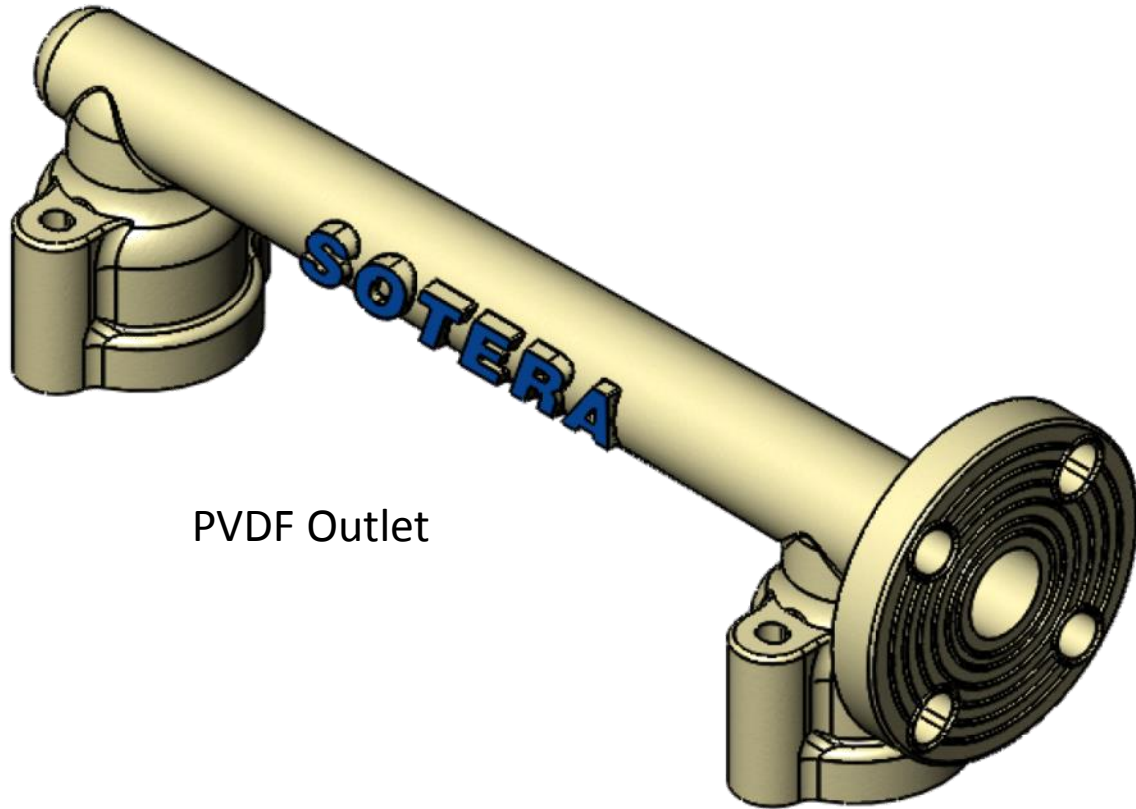
- For 1" AODD models.



PVDF Inlet

KITS10FOF – PVDF Outlet

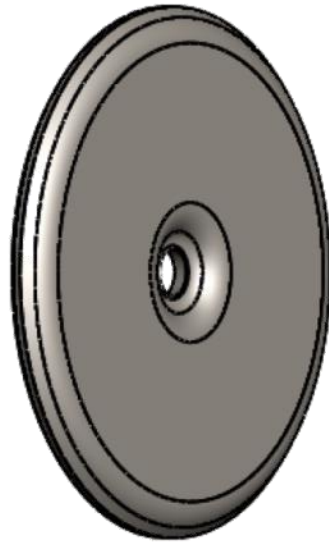
- For 1" AODD models.



PVDF Outlet

KITS10NWD – Groundable Acetal Nut and Backup Washer

- For 1" AODD models.



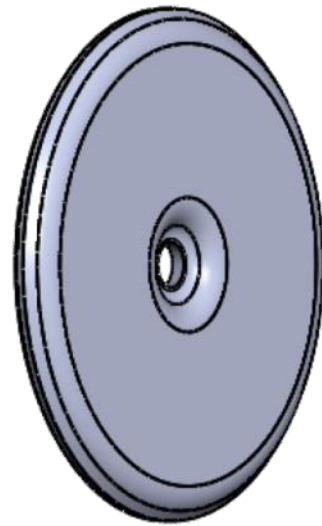
Diaphragm Backup Washer



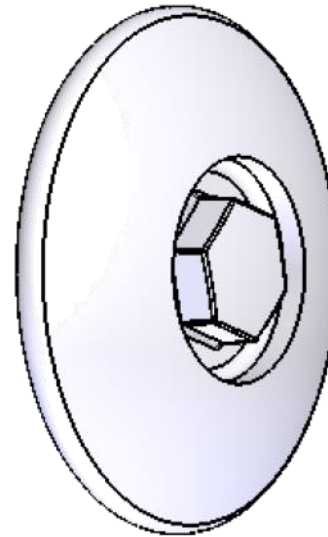
Groundable Acetal Diaphragm Nut

KITS10NWP – Polypropylene Nut and Backup Washer

- For 1" AODD models.



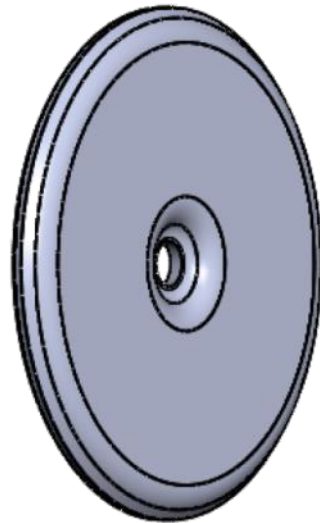
Diaphragm Backup
Washer



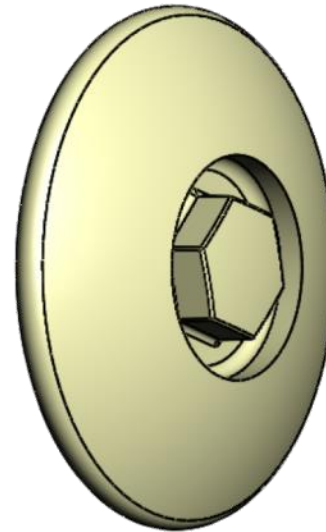
Polypropylene
Diaphragm Nut

KITS10NWF – PVDF Nut and Backup Washer

- For 1" AODD models.



Diaphragm Backup
Washer



PVDF
Diaphragm Nut