

# RM-12CL INDIVIDUALLY ENCLOSED HOSE REELS



15 METERS MAXIMUM HOSE CAPACITY

507 202

## FLUIDS HANDLED

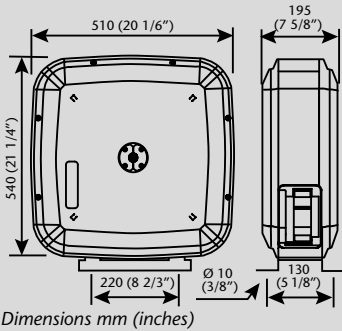
- Air.
- Water.
- Antifreeze and Windshield Wash Solutions.
- High Pressure Hot Water.
- Synthetic and Mineral Oils.
- AdBlue® / DEF.
- Grease.

## MARKETS / APPLICATIONS

- Car and truck dealers.
- Service shops.
- Fleets.
- General manufacturing.
- Service stations.
- Lube trucks.
- Quick lubes.

## MOUNTING

- Floor.
- Wall.
- Ceiling.
- Tank.



Aluminium enclosure with composite spool hose reels, can handle up to 15 m x 1/2" hose.



04

HOSE REELS

PART No.	BARE REEL	HOSE IN Ø	HOSE LENGTH	CONNECTING HOSE INLET	DELIVERY HOSE OUTLET	PRESSURE RATING	WEIGHT (With hose)
<b>AIR / WATER / ANTIFREEZE SOLUTIONS</b>							
<b>507 101</b>	<b>507 910</b>	3/8"	10 m	3/8" BSP (M)	3/8" BSP (M)	15 bar	18,4 kg
<b>507 121</b>	<b>507 912</b>	3/8"	15 m	3/8" BSP (M)	3/8" BSP (M)	15 bar	20,7 kg
<b>507122</b>	<b>507 919</b>	1/2"	15 m	1/2" BSP (M)	1/2" BSP (M)	15 bar	21,4 kg
<b>WINDSHIELD AND WINDSHIELD WASH SOLUTIONS / AdBlue® - DEF / DETERGENTS</b>							
<b>507 762</b>	<b>507 976</b>	1/2"	10 m	1/2" BSP (M)	1/2" BSP (M)	20 bar	19 kg
<b>507 782</b>	<b>507 978</b>	1/2"	15 m	1/2" BSP (M)	1/2" BSP (M)	20 bar	20,5 kg
<b>SYNTHETIC AND MINERAL OILS</b>							
<b>507 202</b>	<b>507 920</b>	1/2"	10 m	1/2" BSP (M)	1/2" BSP (M)	160 bar	18,9 kg
<b>507 222</b>	<b>507 922</b>	1/2"	15 m	1/2" BSP (M)	1/2" BSP (M)	160 bar	21,4 kg
<b>507 212*</b>	<b>507 921</b>	1/2"	15 + 3 m	1/2" BSP (M)	1/2" BSP (M)	160 bar	22,2 kg
<b>WASTE OIL SUCTION</b>							
<b>507 503</b>	<b>507 950</b>	5/8"	6 m	1/2" BSP (M)	1/2" BSP (M)	Vacuum	19,1 kg
<b>GREASE AND HYDRAULIC FLUID</b>							
<b>507 300</b>	<b>507 930</b>	1/4"	10 m	1/4" BSP (M)	1/4" BSP (M)	350 bar	18,8 kg
<b>507 301</b>	<b>507 934</b>	3/8"	10 m	3/8" BSP (M)	1/4" BSP (M)	280 bar	19,5 kg
<b>507 321</b>	<b>507 936</b>	3/8"	15 m	3/8" BSP (M)	1/4" BSP (M)	280 bar	22,6 kg
<b>507 311*</b>	<b>507 935</b>	3/8"	15 + 3 m	3/8" BSP (M)	1/4" BSP (M)	280 bar	23,6 kg
<b>HIGH PRESSURE HOT WATER (UP TO 100 °C)</b>							
<b>507 421</b>	<b>507 942</b>	3/8"	15 m	3/8" BSP (M)	1/4" BSP (M)	170 bar	22,2 kg

- Corrosion resistant aluminium enclosure form a very rigid and stable structure, with light weight and attractive design.
- Fatigue resistant steel spring for years of durable performance and even load when pulling and recoiling the hose.
- Full port shaft and swivel for no restrictions.
- Spool mounted on two permanent lubricated and sealed ball bearings to reduce torque load on spring for smooth retraction and longer life.
- Large effective radial latching area for easier operation.
- Positionable mounting brackets to accommodate any method of mounting.
- Two large lateral service windows facilitate common maintenance operations.
- Hose reels with hose include 0,8 m inlet hose.



Reel with arms in ceiling mounting position.

\*15 + 3 m models shall be need in installations allowing a minimum of 3 m of hose hanging from the reel.