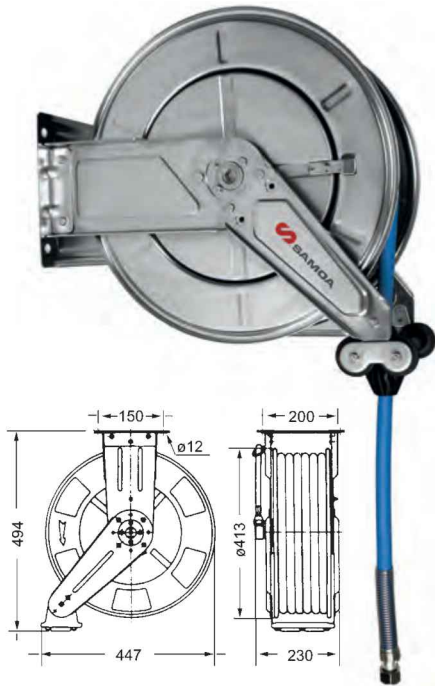


# SAINLESS STEEL REEL AND COMPACT REELS FOR AIR AND CABLE



503 120

Stainless steel hose reels (AISI 304) for air, water and corrosive fluids. Ideal for food industry. 0.8 m inlet hose included.



Dimensions mm:

500 115

Compact enclosed reels for compressed air, manufactured in steel. All reels include pivoting wall bracket for an easy and convenient installation. Reels are supplied with PVC hose and they have a maximum working pressure of 15 bar (285 psi).



Dimensions mm

612 400

Compact reels with high resistance thermoplastic enclosure. Compact design, with wide outlet for a comfortable and friction free cable extension. All reels include pivoting bracket, cable specified for each model, and cable overload breaker. For use with 230 V - 50 Hz only.



Dimensions mm

05  
HOSE REELS

## RM-12SS STAINLESS STEEL HOSE REELS

### 503 120 Stainless steel hose reel, 20 m x 1/2" hose

Hose reel for low pressure, air and water (up to 80 °C). Food industry. Inlet thread: 1/2" BSP (M). Outlet thread 1/2" BSP (M). Maximum working pressure: 10 bar.

### 503 400 Stainless steel hose reel, 20 m x 3/8" hose

Hose reel for high pressure air and water (up to 150 °C). Food industry. Inlet thread: 1/2" BSP (M). Outlet thread 3/8" BSP (M). Maximum working pressure: 250 bar.

## COMPACT REELS FOR AIR RM-38 SERIES

### 500 115 Compact hose reel for air 15 m x 8 mm hose

Compact reel for air with 15 m x 8 mm hose. Includes 0.8 m inlet hose and pivoting bracket. Inlet thread: 3/8" BSP (M). Outlet thread: 1/4" BSP (M). Working pressure: 15 bar.

### 500 116 Compact hose reel for air 12 m x 10 mm hose

Compact reel for air with 12 m x 10 mm hose. Includes 0.8 m inlet hose and pivoting bracket. Inlet thread: 3/8" BSP (M). Outlet thread: 3/8" BSP (M). Working pressure: 15 bar.

## CABLE REELS - RM-POWER SERIES

### 612 400 - 230 V, 50 Hz cable reel with 230 VAC to 24 VDC transformer with LED lamp

15 m H05RN-F 2x1 mm<sup>2</sup> cable hose reel. Includes a 230 VAC to 24 VDC transformer and a 900 LUMEN LED light.

### 612 100 - 230 V, 50 Hz cable reel

Includes 15 m H05VV-F 3x1,5 mm<sup>2</sup> cable, 230 V - 50 Hz. Maximum power: 800 W with the cable coiled and 2,000 W with the cable fully extended because of heat dissipation.

### 612 200 - 230 V, 50 Hz cable reel with 230 VAC to 24 VDC transformer

Includes 15 m H05VV-F 2x1 mm<sup>2</sup> cable. Maximum power: 60 W Includes a 230 VAC to 24 VDC transformer. For use with an E27 24 VDC lamp (lamp not included).

### 612 300 - 230 V, 50 Hz cable reel with 230 VAC to 12 VDC transformer

Includes 15 m H05VV-F 2x1 mm<sup>2</sup> cable. Maximum power: 60 W Includes a 230 VAC to 12 VDC transformer. For use with an E27 12 VDC lamp (inspection lamp included, bulb not included).