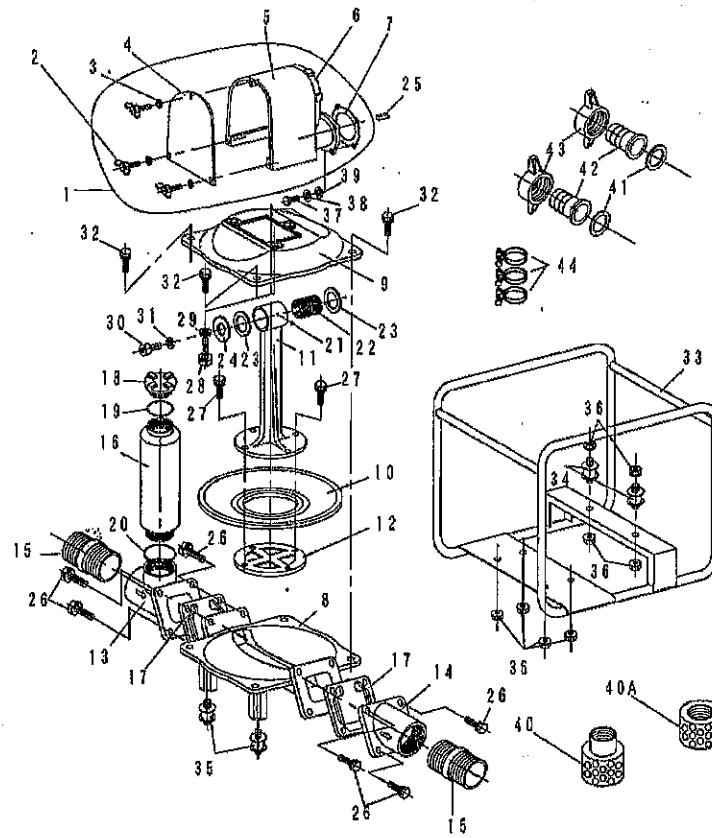
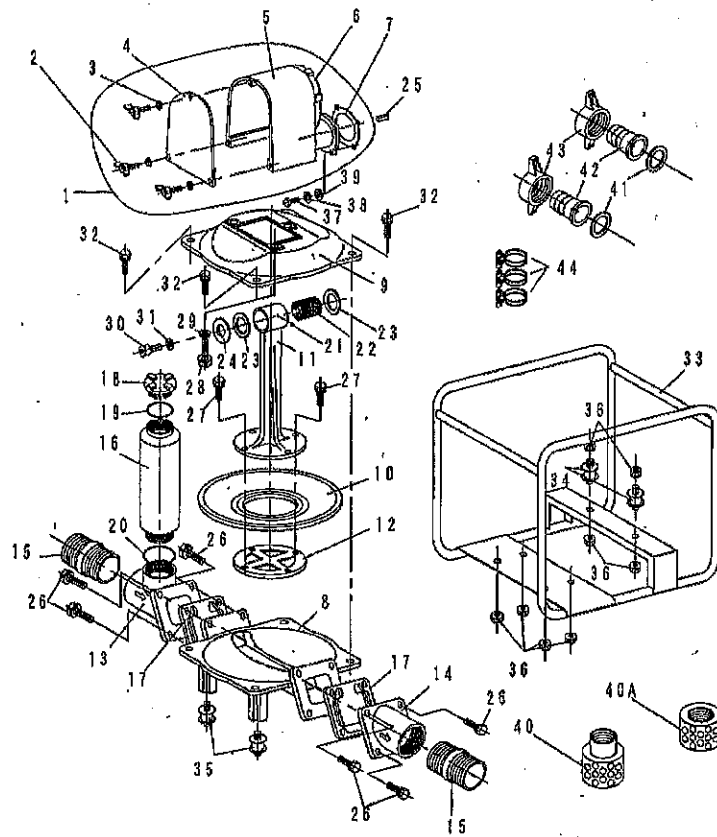


SMD80HX/R/RX



REF No.	Parts No.	Parts name	Q'ty	Remarks
	ENGINE	HONDA GX160	1	
1	202 200 070	GEAR ASSY	1	2~7+GEAR
2	203 000 640	WING BOLT	3	M5 x 10
3	203 100 100	SPRING WASHER	3	M5
4	200 300 540	COVER	1	
5	200 200 921	GEAR CASE	1	
6	200 200 911	COVER,INPUT	1	
7	200 900 590	SHEET PACKING	1	THREE SHEET
8	200 200 370	CASING	1	SMD-80
9	200 200 380	CASING COVER	1	SMD-80
10	200 900 470	DIAPHRAGM	1	SMD-80
11	200 200 480	ROD	1	SMD-80
12	200 200 490	CAP-DIAPHRAGM	1	SMD-80
13	200 200 470	SUCTION FLANGE	1	IN-NPSM3
14	200 200 460	BEND	1	IN-NPSM3
15	200 300 420	FITING-PIPE	2	3B NPT-PF
16	200 200 970	CHAMBER	1	SMD-80
17	200 900 160	CHECK VALVE	2	
18	200 200 700	PLUG	1	AL
19	200 800 220	O-RING	1	W1516-31
20	200 800 210	O-RING	1	P-80
21	203 300 080	GREASE NIPPLE	1	C-2 PT1/8
22	203 300 140	NEEDLE BEARING	1	29#30R
23	200 500 120	COLLAR	2	
24	203 100 170	PLAIN WASHER	1	9-48-4.5
25	203 300 090	KEY	1	4.76 x 30
26	203 000 040	HEX.BOLT	8	M8x25 P=2
27	203 000 060	HEX.BOLT	4	M8x30 P=3

SMD80HX/R/RX



REF No.	Parts No.	Parts name	Q'ty
28	203 000 080	HEX.BOLT	3
29	203 100 140	PLAIN WASHER	3
30	203 000 390	HEX.SOCKET BOLT	1
31	203 100 120	SPRING WASHER	1
32	203 000 130	HEX.BOLT	1
33	200 100 060	FRAME(BLACK)	1
34	200 900 390	ANTI-VIBRATION RUBBEE	2
35	200 900 400	ANTI-VIBRATION RUBBEE	4
36	203 200 030	SPRING NUT	8
37	203 000 320	HEX.BOLT	4
38	203 100 120	SPRING WASHER	4
39	203 100 150	PLAIN WASHER	4
40	201 200 190	STRAINER	1
41	200 900 060	PACKING, COUPLING	2
42	200 200 680	HOSE COUPLING	(2)
43	200 200 250	HOSE COUPLING HANDLE	2
44	201 000 060	HOSE BAND	3