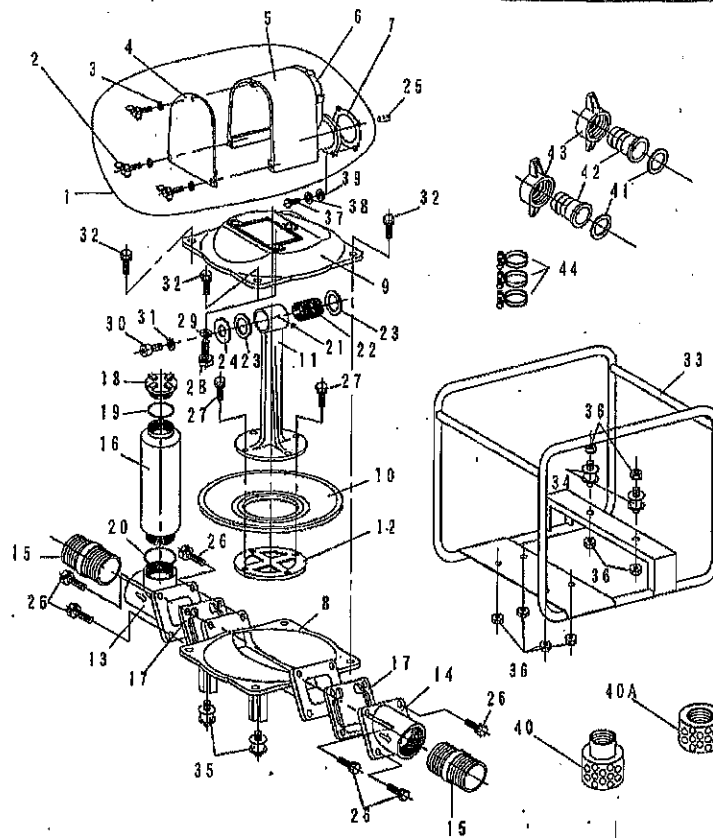


REF No.	Parts No.	Parts name	Q'ty
	ENGINE	HONDA GX120	1
1	202 200 070	GEAR ASSY	1
2	203 000 640	WING BOLT	3
3	203 100 100	SPRING WASHER	3
4	200 300 540	COVER	1
5	200 200 921	GEAR CASE	1
6	200 200 911	COVER,INPUT	1
7	200 900 590	SHEET PACKING	1
8	200 201 010	CASING	1
9	200 201 020	CASING COVER	1
10	200 900 460	DIAPHRAGM	1
11	200 200 481	ROD	1
12	200 200 491	CAP-DIAPHRAGM	1
13	200 200 990	SUCTION FLANGE	1
14	200 201 000	BEND	1
15	200 300 410	FITING-PIPE	2
16	200 200 980	CHAMBER	1
17	200 900 150	CHECK VALVE	2
18	200 200 700	PLUG	1
19	200 800 220	O-RING	1
20	200 800 130	O-RING	1
21	203 300 080	GREASE NIPPLE	1
22	203 300 140	NEEDLE BEARING	1
23	200 500 120	COLLAR	2
24	203 100 170	PLAIN WASHER	1
25	203 300 090	KEY	1
26	203 000 040	HEX.BOLT	8
27	203 000 060	HEX.BOLT	4

SMD50HX/R/RX



REF No.	Parts No.	Parts name	Q'ty
28	203 000 080	HEX.BOLT	3
29	203 100 140	PLAIN WASHER	3
30	203 000 390	HEX.SOCKET BOLT	1
31	203 100 120	SPRING WASHER	1
32	203 000 130	HEX.BOLT	1
33	200 100 080	FRAME(BLACK)	1
34	200 900 390	ANTI-VIBRATION RUBBEE	2
35	200 900 400	ANTI-VIBRATION RUBBEE	4
36	203 200 030	SPRING NUT	8
37	203 000 320	HEX.BOLT	4
38	203 100 120	SPRING WASHER	4
39	203 100 150	PLAIN WASHER	4
40	201 200 140	STRAINER	1
41	200 900 050	PACKING,COUPLING	2
42	200 200 690	HOSE COUPLING	2
43	200 200 670	HOSE COUPLING HANDLE	(2)
44	201 000 040	HOSE BAND	3