

**REMCO**  
INDUSTRIES

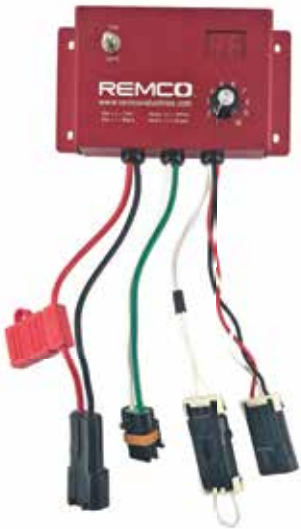
# AGRICULTURAL & INDUSTRIAL PUMPS AND ACCESSORIES

**Experience Professional Grade**



**Tested. Certified. Trusted.**

# Rate Controllers



REMCO Rate Controllers - an unmatched fit for all fertilizer applications.

Typical Applications: • Agricultural Spraying • Fertilizer Applications • 12VDC Motor Control

### RATE CONTROLLERS (Includes Pig Tails and Mounting Screws)

ITEM NUMBER	DESCRIPTION
RRC15-NG	NO GAUGE, 15 AMP
RRC35-NG	NO GAUGE 35 AMP
RRC15-DD	DIGITAL DISPLAY, 15 AMP, INCLUDES PRESSURE SENSOR AND CABLE
RRC35-DD	DIGITAL DISPLAY, 35 AMP, INCLUDES PRESSURE SENSOR AND CABLE

### RATE CONTROLLER KITS (Includes Power and Pump Wiring and Mounting Screws)

ITEM NUMBER	DESCRIPTION
RRC15-NGK	NO GAUGE, 15 AMP, WITH WIRING KITS
RRC35-NGK	NO GAUGE 35 AMP, WITH WIRING KITS
RRC15-60GK	WITH GAUGE KIT, 15 AMP, WITH WIRING KITS
RRC35-60GK	WITH GAUGE KIT, 35 AMP, WITH WIRING KITS
RRC15-DDK	DIGITAL DISPLAY, 15 AMP, INCLUDES PRESSURE SENSOR AND CABLE, WITH WIRING KITS
RRC35-DDK	DIGITAL DISPLAY, 35 AMP, INCLUDES PRESSURE SENSOR AND CABLE, WITH WIRING KITS

### ACCESORIES AND PARTS

ITEM NUMBER	DESCRIPTION
WHK-10RB-20GW	INPUT/OUTPUT WIRING SET, INCLUDES: 10FT RED/BLACK POWER IN, 20 FT WHITE/GREEN OUTPUT
WHK-20GW-EXT	20 FT OUTPUT EXTENSION CABLE, WHITE/GREEN OUTPUT
WHK-20DPS	REPLACEMENT 20 FT DIGITAL PRESSURE SENSOR CABLE
WHK-20DPS-EXT	20 FT DIGITAL PRESSURE SENSOR EXTENSION CABLE
G-PK	PLUMBING KIT (INCLUDES: 20 FT 1/4" POLY TUBE, UNION, 1/4" NPT MALE & FEMALE ADAPTERS)
G60-MK	60 PSI SS AMMONIA GAUGE KIT - 1/4" MALE NPT INLET, INCLUDES GAUGE, BRACKET
DPS-100	REPLACEMENT DIGITAL PRESSURE SENSOR
MS-4X10241	MOUNTING SCREW SET (INCLUDES: 4 #10-24X1" SCREWS AND TOOTH WASHER LOCKNUTS)



Heavy-duty sealed wire connections



Reverse polarity protection



Manual rheostat for accurate speed and pressure control



Circuit breaker protection



Made in the USA



Professional grade



1 Year Warranty

## Accumulator Tank / Pulsation Dampener



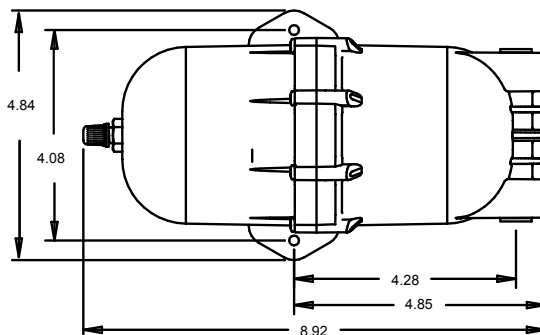
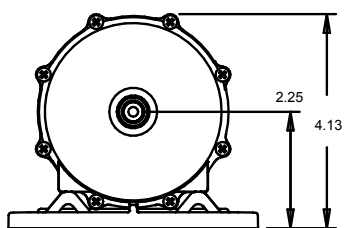
Typical Applications: • Fresh Water • General Industrial • RV and Coach Water Pumps

### ACCUMULATOR STANDARD PUMP CONFIGURATIONS

ITEM NUMBER	PORTS	DIMENSIONS	TOTAL VOLUME	MAX PSI
RACT-820-NTP	1/2" MALE NPT	8.92" X 4.8" X 4.13"	27OZ/820 ML	125 PSI/8.5 BAR
RACT-820-JG	3/8" JOHN GUEST	8.92" X 4.8" X 4.13"	27OZ/820 ML	125 PSI/8.5 BAR



### ACCUMULATOR TANK / PULSATION DAMPENER



### ACCUMULATOR INFORMATION

#### Certifications

NSF & CSA Listed



#### Liquid Temperature

140°F (60°C) Max.

#### Precharge Pressure

20 PSI (1.38 bar)

#### Max Pressure

125 PSI (8.5 bar)

#### Inlet/Outlet Ports

1/2" Male NPT

3/8" John Guest

#### Weight

8 lbs (3.6 kg)



Dampens pump switch cycling / pulsations



Limits harmful spikes / water hammer



Minimizes hydraulic noise



CSA Listing



NSF food grade materials



## REPLACEMENT PUMP PARTS

### Motor

(Includes sealed end bell)

Item Number	Description
M382-S	3300 No Switch, 2-pin Connector, Demand
M382B-S	3300 NO Switch, 2-pin Connector, Bypass
M582-S	5500 No Switch, 2-pin Connector, Demand
M582B-S	5500 No Switch, 2-pin Connector, Bypass
M70-563-JDS-D	5500 No Switch, 2-pin Connector, High Performance, Demand
M70-563-JDS	5500 No Switch, 2-pin Connector, High Performance, Bypass
70-594-00-D	Fatboy, No Switch, No Connector, Demand
70-594-00	Fatboy, No Switch, No Connector, Bypass



### Upper Housing Assembly

(Includes pump head housing, pressure control parts and assembly screws)

Item Number	Description
UHA7880-7F77	3300 w/Pressure Switch - 3/8" Threaded
UHA7880-8F77	3300 w/Bypass - 3/8" Threaded
UHA7803-7F77	3300 w/Pressure Switch - 3/4" Quick Attach
UHA7803-8F77	3300 w/Bypass - 3/4" Quick Attach
UHA5513-1X77	5500 w/Pressure Switch - 1/2" Threaded
UHA5513-2X77	5500 w/Bypass - 1/2" Threaded
UHA5503-1X77	5500 w/Pressure Switch - 3/4" Quick Attach
UHA5503-2X77	5500 w/Bypass - 3/4" Quick Attach



### Lower Housing Assembly

(Includes housing, diaphragm, pistons, cam and bearing)

Item Number	Description
LHA7860-7F77	1.2GPM - Demand or Bypass
LHA7863-7F77	2.2GPM - Demand or Bypass
LHA5510-1E77	3.2GPM - Demand or Bypass
LHA5512-1E77	4.0GPM - Demand or Bypass
LHA5513-1E77	5.3GPM - Demand or Bypass



### Valve Housing Assembly

(Includes valves and valve housing)

Item Number	Description
VHA7863-7F77	3300 Series Pumps, Viton
VHA5513-1E77	5500 Series Pumps, Viton
VHA5513SANTO-R	5500 Series Pumps, Santoprene
VHA5513EPDM-R	5500 Series Pumps, EPDM





## REPLACEMENT PUMP PARTS

### Threaded Heads



Item Number	Description
7880-8F77	1.2 GPM w/Bypass - 3/8"
7880-7F77	1.2 GPM w/Pressure Switch - 3/8"
7883-8F77	2.2 GPM w/Bypass - 3/8"
7883-7F77	2.2 GPM w/Pressure Switch - 3/8"
5510-1X77	3.2 GPM w/Pressure Switch - 1/2"
5510-2X77	3.2 GPM w/Bypass - 1/2"
5512-1X77	4.0 GPM w/Pressure Switch - 1/2"
5512-2X77	4.0 GPM w/Bypass - 1/2"
5513-1X77	5.3 GPM w/Pressure Switch - 1/2"
5513-2X77	5.3 GPM w/Bypass - 1/2"
PH-5538E-D	7.0 GPM - FATBOY w/Pressure Switch - 1/2"
PH-5538E-B	7.0 GPM - FATBOY w/Bypass - 1/2"
PHA-SMOOTHFLO	2.2 GPM - SMOOTHFLO - 3/8"
5912-5X77	4.0 GPM - SMOOTHFLO - 1/2"
5913-5X77	5.3 GPM - SMOOTHFLO - 1/2"

### Quick Attach Heads



Item Number	Description
7803-8F77	2.2 GPM w/Bypass - 3/4"
7803-7F77	2.2 GPM w/Pressure Switch - 3/4"
5500-1X77	3.2 GPM w/Pressure Switch - 3/4"
5500-2X77	3.2 GPM w/Bypass - 3/4"
5502-1X77	4.0 GPM w/Pressure Switch - 3/4"
5502-2X77	4.0 GPM w/Bypass - 3/4"
5503-1X77	5.3 GPM w/Pressure Switch - 3/4"
5503-2X77	5.3 GPM w/Bypass - 3/4"
PH-5518E-D	7.0 GPM - FATBOY w/Pressure Switch - 3/4"
PH-5518E-B	7.0 GPM - FATBOY w/Bypass - 3/4"
3903-5X77	2.2 GPM - SMOOTHFLO
5902-5X77	4.0 GPM - SMOOTHFLO
5903-5X77	5.3 GPM - SMOOTHFLO

**REMCO**

# Genuine Parts and Accessories

## PUMP FITTINGS

### ProFLO™ 3/4" Quick Attach Fittings

Item Number	Size	Fitting Type	Material
FQ5S-38	3/4" QA x 3/8"	HB Straight Fitting w/ O-Ring	Poly
FQ5S-12	3/4" QA x 1/2"	HB Straight Fitting w/ O-Ring	Poly
FQ5S-34	3/4" QA x 3/4"	HB Straight Fitting w/ O-Ring	Poly
FQ5E-38	3/4" QA x 3/8"	HB Elbow Fitting w/ O-Ring	Poly
FQ5E-12	3/4" QA x 1/2"	HB Elbow Fitting w/ O-Ring	Poly
FQ5E-34	3/4" QA x 3/4"	HB Elbow Fitting w/ O-Ring	Poly
QTS-556	3/4" QA x 1/2"	MNPT Straight w/ O-Ring	Poly
FQ5ME-12	3/4" QA x 1/2"	MNPT Elbow w/ O-Ring	Poly



FQ5S Series Fitting



FQ5E Series Fitting



QTS-556 Fitting



FQ5ME-12 Fitting

## SPRAY GUNS

Reference	Description	Orifice	Length	Hose Barb Inlet
RESG-1830	Economy Spot Spray Gun Filter in Handle	#18	30"	3/8"
RDSG-1818	Deluxe Pistol Grip Spray Gun	#18	18"	3/8"
RTSG-1800	Trigger Grip Spray Gun	#18	18"	3/8"



RDSG-1818



RTSG-1800



RESG-1830

**REMCO**

# Genuine Parts and Accessories

## PUMP FILTERS

Filter Number	Inlet	Outlet	Mesh Size
R-309T153	1/2" HB	3/8" MBSP	50
R-309T253	1/2" HB	1/2" MBSP	50
R-309TB53	1/2" HB	3/4" Male Quick Attach	50
10546	1/2" MNPT	1/2" FNPT Inline Filter/Strainer	50
SS10834	50 Mesh	3/8" Tube	50
SS10422T	50 Mesh	1/2" FNPT	50
LS5512B	1/2" Hose Barb	1/2" Hose Barb	50
LS3338T	3/8" FNPT	3/8" FNPT	50
LS3338MT	3/8" MNPT	3/8" MNPT	50
LS3338B	3/8" Hose Barb	3/8" Hose Barb	50
25-181	3/4" Male Quick Attach	3/4" Female Quick Attach	40
MF-34F34M	3/4" Male Quick Attach	3/4" Female Quick Attach	50



SS10834 Filter



SS10422T Filter



LS5512B Filter



LS3338T Filter



LS3338MT Filter



LS3338B Filter



10546 Filter



MF-34F34M Filter



R-309T153 Filter



R-309T253 Filter



R-309TB53 Filter



25-181 Filter



## WIRE HARNESSES

Reference	Type	Length	Molded 2-pin connector
A 901-001	16 AWG wiring harness with on-off switch car adaptor	116.00"	x
B 901-002	16 AWG wiring car adaptor	11.00"	x
C 901-003	16 AWG wiring 30-amp battery clips	15.00"	x
D 901-004	16 AWG wiring harness with on-off switch, two 30-amp battery clips	98.00"	x
E 901-005	16 AWG wiring harness with on-off switch	92.00 "	x
F 901-006	16 AWG wiring harness with on-off switch, lead wire/2-Pin connector combo	30.00"	x
G 901-008	16 AWG wiring harness, lead wire/2-Pin connector	72.00"	x
H 901-009	16 AWG wiring harness kit, Includes 901-002, 901-003, 901-005		
I 901-010	16 AWG wiring harness - 2-pin connector on both ends.	90.00"	x
J 901-011	16 AWG wiring harness - 2-pin connector on both ends.	180.00"	x
K 901-012	16 AWG wiring harness with on-off switch	210.00"	x
J 901-SW	16 AWG on-off Switch. 1.5" length and no connector.		

