

REMCO
INDUSTRIES

AGRICULTURAL & INDUSTRIAL PUMPS AND ACCESSORIES

Experience Professional Grade



Tested. Certified. Trusted.

REMCO

I N D U S T R I E S

OUR FAMILY OF PUMPS ARE ALWAYS READY TO PERFORM.

Successfully sourcing quality fluid handling equipment is no longer impossible. Industry professionals choose Remco first because of our commitment to pro-level quality, engineering, and customer service.

Field proven means exactly that.

Every component of every Remco product has earned its pedigree through relentless field use and refinement.

Remco takes nothing for granted. Every product is tested at the factory to ensure it meets our rigorous standards of quality and performance.

American made—a defining characteristic that speaks for itself.

Remco Professional Grade quality starts with our engineers' vision to produce fluid handling equipment that excels in performance and reliability, and surpasses the end user's expectations.

RV, Towing, Ag, Industrial, Filtration or Custom, the Remco mission succeeds only when our customers' mission succeeds. Our products are setting new industry standards, and so is the Remco commitment to customer service and satisfaction.





Remco.

**Committed
to delivering
professional grade
pump solutions.**

The Remco line of products represents our enduring commitment to deliver exceptional products that power our customers' success.

The Remco approach to solving your pump challenges starts with a deep understanding of the demands our customers face every day in the shop and in the field.

A powerful vision that guides our promise to deliver excellence, the Remco line of professional grade pumps represent the quality and principles upon which we continually judge ourselves, our products and our customers' continued success.

This is the Remco commitment to pumping excellence.

REMCO

I N D U S T R I E S

PROFLO - THE PROFESSIONAL GRADE QUALITY AND PERFORMANCE PUMP YOU'VE BEEN LOOKING FOR.

The professional grade line of pumps that are designed to perform where other pumps simply can't. ProFlo pumps earned the name Pro because of their endurance under the most rugged of conditions. Customers know when they buy a ProFlo they are buying the best.

A QUANTUM LEAP IN FLOW CONTROL AND PERFORMANCE

Remco ProFlo Ultra™ Pumps have redefined the performance of diaphragm pumps. With the exclusive FLO-IQ Inside™, Remco SmoothFlo pumps eliminate rapid switch cycling completely. The Remco ProFlo Extreme Duty™ Pump is configured with corrosive resistant components and delivers outstanding performance with liquids containing surfactants.

PERFORMANCE MEETS QUALITY IN AN AFFORDABLE PUMP.

The Economy Plus Line is your best choice when looking for a high performance diaphragm pump at an economical cost. Simple but highly versatile, the Economy Plus Line is perfect for fluid handling applications such as purification, light industrial, food and beverage, agricultural, and automotive. Additionally, it's packed with features and capabilities you'll never find in other pumps at this price point.

PROFLO™
3200
PG. 7



PROFLO™
3300
PG. 8



PROFLO™
5500
PG. 10



PROFLO™
Fatboy®
PG. 12



PROFLO™
AquaJet®
PG. 18



SMOOTHFLO

SMOOTHFLO™
3900, 5900
PG. 16



Rate
Controllers
PG. 20



Accumulator
Tank /
Pulsation
Dampener
PG. 21



ECONOMY PLUS™
2200

PG. 6

**PROFESSIONAL
GRADE**



REMCO CUSTOM PUMPS

**THE PROS AT REMCO CAN HELP YOU
CONFIGURE THE PERFECT PUMP SOLUTION.**

A custom pump solution from an experienced Remco pump professional is only a phone call away. Whether the challenge is power, control, materials, size or connectivity, Remco is dedicated to delivering pro grade equipment that meets your exact needs.

**Remco Custom Pump
Configurations**

PG. 14 - 15



Parts and Accesories

**GENUINE REMCO PARTS,
ACCESSORIES AND REPAIR KITS.**

Engineered specifically for Remco pumps, our complete line of accessories and fittings are manufactured to the highest standards. And, should a Remco Pump ever need them, we offer a complete line of genuine repair kits and assemblies for most models.

**REPLACEMENT
PUMP PARTS**

PG. 22 & 23



FITTINGS

PG. 24

FILTERS

PG. 25



WIRE HARNESSES

PG. 26



SPRAY GUNS

PG. 24

REMCO

PUMP INFORMATION



Type

2 chamber diaphragm pump, self priming, capable of being run dry

Mode

Demand / Bypass

Liquid Temperature

110°F (43°C)

Priming Capabilities

4 feet (1.2 m) suction lift

Max Pressure

40 PSI (2.8 bar)

Weight

2.0 lbs (1.0 kg)

Inlet/Outlet Ports

3/8" hose barb

2200

Economy Plus+ SERIES



The Economy Plus 2200- proves that big things come in small packages.

Typical Applications: • Water Treatment/RO • Beverage/Food service • Distillation Equipment • Agricultural Spraying • General Industrial • Automotive

MOTOR INFORMATION



Leads

18 AWG, 4.5" long with 2-Pin connector

Duty Cycle

Intermittent

Compact design



Heavy-duty demand switch



Can run dry



Quiet operation



Industry standard mount pattern



2200 STANDARD PUMP CONFIGURATIONS

Item	GPM	Controls	PSI	Diaphragm	Ports	Voltage
1.0 GPM						
2240-1B1-10E	1.0GPM	DEMAND	40	SANTOPRENE	3/8"HB	12 VDC

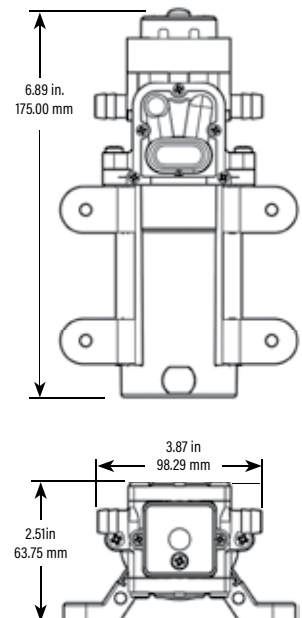
Other configurations available, please consult factory



2200 SERIES PUMP PERFORMANCE

2200 Series			
PSI	GPM	LPM	AMPS
OPEN	1.00	3.79	1.75
10	0.85	3.22	2.00
20	0.75	2.84	2.25
30	0.65	2.46	2.50
40	0.60	2.27	3.00

Actual performance may vary based on pump configuration.



PROFESSIONAL GRADE PUMPS

3200

PROFLO
PROFESSIONAL
GRADE PUMPS



The ProFlo 3200 Pump-
the leader in compact
spray efficiency.

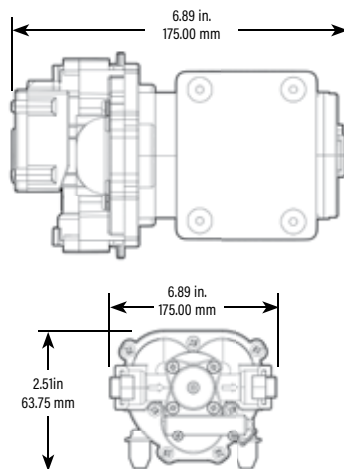
Typical Applications: • Agricultural Spraying • General Industrial

3200 SERIES PUMP CONFIGURATIONS

Item	GPM	Controls	PSI	Valves	Diaphragm	Ports	Voltage
3200 STANDARD							
3214-1E1-82B	3.2 GPM	DEMAND	60	VITON	SANTOPRENE	3/4" QUICK ATTACH	12 VDC
EPDM							
3214-1C4-82L	3.2 GPM	DEMAND	45	EPDM	SANTOPRENE	3/4" QUICK ATTACH	12VDC
115 VAC							
3214-1E1-52C-B	3.2 GPM	DEMAND	60	VITON	SANTOPRENE	3/4" QUICK ATTACH	12VDC
3214-1C4-52C-B	3.2 GPM	DEMAND	45	EPDM	SANTOPRENE	3/4" QUICK ATTACH	12 VDC

3200 SERIES PUMP PERFORMANCE

3200 Series			
PSI	GPM	LPM	AMPS
OPEN	3.20	12.11	4.10
10	2.90	10.98	5.30
20	2.60	9.84	6.20
30	2.40	9.08	7.30
40	2.10	7.95	8.10
50	1.90	7.19	8.80
60	1.70	6.44	9.50
70	1.50	5.68	10.00
80	1.30	4.92	10.30



Actual performance may vary based on pump configuration.

PUMP INFORMATION



Type

3 chamber diaphragm pump,
self priming, capable of being
run dry

Certifications

NSF, CSA



Pressure Control

Demand

Liquid Temperature

140°F (60°C) Max.

Priming Capabilities

10 feet (3 m)

Max Pressure

100 PSI (6.9 bar)

Inlet/Outlet Ports

3/4" Quick Attach

Weight

5 lbs (2.3 kg)

MOTOR INFORMATION



Leads

14 AWG, 7" long with 2-Pin
or custom connection

Temperature Limits

Motor is not equipped with
thermal protection. For
user safety, optimal
performance, and maximum
motor life, the motor surface
temperature should not exceed
180°F (82°C)



Smoother flows without rapid
cycling



Improved safety features



Greater flows higher pressures



Virtually silent operation



The ProFlo 3300 - pumps out great results every time.

Typical Applications: • Agricultural Spraying • Industrial Transfer • General Purpose • Automotive • Golf Course Spraying



Made in the USA



Sealed motor



Low amp draw

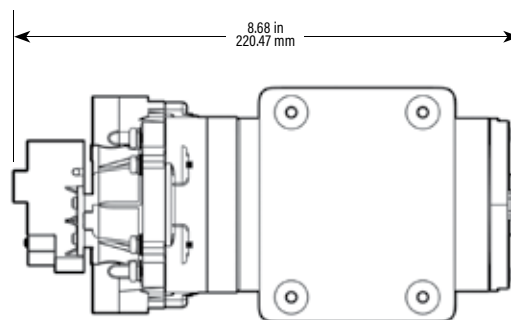
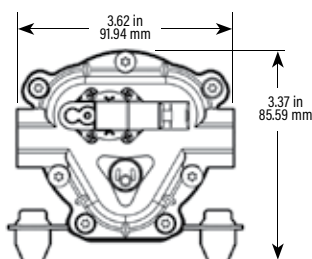


Less heat rise



Superior priming capabilities

THREADED HEAD DEMAND



3300 SERIES PUMP PERFORMANCE



PSI	3301/3311/3321			3303/3313/3323		
	GPM	LPM	AMPS	GPM	LPM	AMPS
OPEN	1.20	4.55	3.50	2.20	8.34	3.50
10	1.10	4.17	4.25	2.00	7.58	4.50
20	1.05	3.98	4.50	1.95	7.39	5.00
30	1.00	3.79	5.00	1.70	6.44	5.50
40	0.95	3.60	5.25	1.60	6.06	6.00
50	0.90	3.41	5.50	1.55	5.87	7.00
60	0.80	3.03	5.50	1.45	5.50	7.50
70	0.75	2.84	5.75	1.40	5.31	8.00
80	0.65	2.46	6.25	1.35	5.12	8.75
90	0.55	2.08	6.50	1.25	4.74	9.50
100	0.50	1.90	7.00	1.00	3.79	10.00

Actual performance may vary based on pump configuration.

PROFESSIONAL GRADE PUMPS

3300 STANDARD PUMP CONFIGURATIONS

Item	GPM	Controls	PSI	Valves	Diaphragm	Port	Voltage
1.2 GPM STANDARD							
3311-1E1-82B	•	1.2GPM	DEMAND	60	VITON	SANTOPRENE	3/4" QUICK ATTACH 12 VDC
3321-1E1-82B	•	1.2GPM	DEMAND	60	VITON	SANTOPRENE	3/8" FNPT 12 VDC
3311-2E1-82B	•	1.2GPM	BYPASS	60	VITON	SANTOPRENE	3/4" QUICK ATTACH 12 VDC
3321-2E1-82B	•	1.2GPM	BYPASS	60	VITON	SANTOPRENE	3/8" FNPT 12 VDC
2.2 GPM STANDARD							
3313-1E1-82B	•	2.2GPM	DEMAND	60	VITON	SANTOPRENE	3/4" QUICK ATTACH 12 VDC
3323-1E1-82B	•	2.2GPM	DEMAND	60	VITON	SANTOPRENE	3/8" FNPT 12 VDC
3313-2E1-82B	•	2.2GPM	BYPASS	60	VITON	SANTOPRENE	3/4" QUICK ATTACH 12 VDC
3323-2E1-82B	•	2.2GPM	BYPASS	60	VITON	SANTOPRENE	3/8" FNPT 12 VDC
EXTREME DUTY							
3321-1E3-82B	••	1.2GPM	DEMAND	60	VITON	GEOLAST	3/8" FNPT 12 VDC
3321-2E3-82B	••	1.2GPM	BYPASS	60	VITON	GEOLAST	3/8" FNPT 12 VDC
3323-1E3-82B	••	2.2GPM	DEMAND	60	VITON	GEOLAST	3/8" FNPT 12 VDC
3323-2E3-82B	••	2.2GPM	BYPASS	60	VITON	GEOLAST	3/8" FNPT 12 VDC
SANTOPRENE							
3321-1E5-82B	••	1.2GPM	DEMAND	60	SANTOPRENE	SANTOPRENE	3/8" FNPT 12 VDC
3321-2E5-82B	••	1.2GPM	BYPASS	60	SANTOPRENE	SANTOPRENE	3/8" FNPT 12 VDC
3323-1E5-82B	••	2.2GPM	DEMAND	60	SANTOPRENE	SANTOPRENE	3/8" FNPT 12 VDC
3323-2E5-82B	••	2.2GPM	BYPASS	60	SANTOPRENE	SANTOPRENE	3/8" FNPT 12 VDC
EPDM							
3321-1E4-82B	••	1.2GPM	DEMAND	60	EPDM	SANTOPRENE	3/8" FNPT 12 VDC
3321-2E4-82B	••	1.2GPM	BYPASS	60	EPDM	SANTOPRENE	3/8" FNPT 12 VDC
3323-1E4-82B	••	2.2GPM	DEMAND	60	EPDM	SANTOPRENE	3/8" FNPT 12 VDC
3323-2E4-82B	••	2.2GPM	BYPASS	60	EPDM	SANTOPRENE	3/8" FNPT 12 VDC
24VDC							
3321-1E1-731A	•••	1.2GPM	DEMAND	60	VITON	SANTOPRENE	3/8" FNPT 24 VDC
3323-1E1-731A	•••	2.2GPM	DEMAND	60	VITON	SANTOPRENE	3/8" FNPT 24 VDC
115 VAC							
3321-1E1-52C	•••	1.2GPM	DEMAND	60	VITON	SANTOPRENE	3/8" FNPT 115 VAC
3323-1E1-52C	•••	2.2GPM	DEMAND	60	VITON	SANTOPRENE	3/8" FNPT 115 VAC

• Other Pressures Available • All Ports Available • Bypass Version Available
For other available options, see custom pages 14-15.

PUMP INFORMATION



Type

3 chamber diaphragm pump, self priming, capable of being run dry

Pressure Control

Demand
Bypass
No Controls
Dual Controls

Certifications Option

CE Approval

Liquid Temperature

140°F (60°C) Max.

Priming Capabilities

8 feet (2.4 m)

Max Pressure Capabilities

200 PSI (14 bar)

Inlet/Outlet Ports

3/4" Quick Attach
3/8" FNPT

Weight

6 lbs (2.7 kg)

MOTOR INFORMATION



Leads

14 AWG, 7" long with 2-Pin or custom connection

Temperature Limits

Motor is not equipped with thermal protection. For user safety, optimal performance, and maximum motor life, the motor surface temperature should not exceed 180°F (82°C)





The ProFlo 5500 - is unmatched in performance and efficiency.

Typical Applications: • Water Treatment/RO • Agricultural Spraying • General Industrial • Automotive • Alternative Energy/Solar • Agriculture and RV



Made in the USA



Less heat rise



Sealed motor

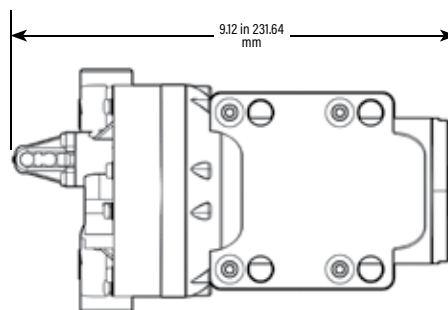
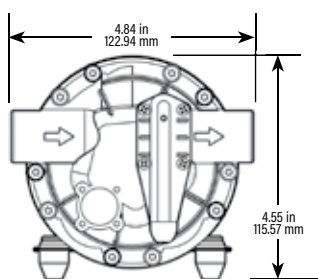


Professional grade



Low amp draw

THREADED HEAD DEMAND



5500 SERIES PUMP PERFORMANCE

PSI	5514/5534			5516/5536			5517/5537		
	GPM	LPM	AMPS	GPM	LPM	AMPS	GPM	LPM	AMPS
OPEN	3.10	11.75	4.00	4.55	17.24	7.50	5.30	20.09	8.00
10	2.80	10.61	5.00	4.10	15.54	8.50	5.11	19.37	9.50
20	2.30	8.72	6.00	3.75	14.21	9.50	4.75	18.00	11.00
30	2.10	7.96	7.00	3.40	12.89	11.00	4.30	16.30	13.00
40	1.90	7.20	8.00	3.05	11.56	12.50	3.85	14.59	15.00
50	1.65	6.25	8.50	2.75	10.42	14.00	3.40	12.89	17.00
60	1.45	5.50	9.50	2.45	9.29	15.00	3.00	11.37	18.00
70	1.40	5.31	10.00	2.35	8.91	16.00	2.55	9.66	19.00
80	1.35	5.12	10.50	2.20	8.34	16.75	2.25	8.53	19.75
90	1.30	4.93	11.00	2.00	7.58	17.50	2.05	7.77	20.75
100	1.25	4.74	11.75	1.90	7.20	18.00	2.00	7.58	22.00

Actual performance may vary based on pump configuration.



PROFESSIONAL GRADE PUMPS

5500 STANDARD PUMP CONFIGURATIONS

Item	GPM	Controls	PSI	Valves	Diaphragm	Ports	Voltage
3.2 GPM STANDARD							
5514-1E1-82B	3.2GPM	DEMAND	60	VITON	SANTOPRENE	3/4" QUICK ATTACH	12 VDC
5534-1E1-82B	3.2GPM	DEMAND	60	VITON	SANTOPRENE	1/2" FNPT	12 VDC
5514-2E1-63B	3.2GPM	BYPASS	60	VITON	SANTOPRENE	3/4" QUICK ATTACH	12 VDC
5534-2E1-63B	3.2GPM	BYPASS	60	VITON	SANTOPRENE	1/2" FNPT	12 VDC
4.0 GPM STANDARD							
5516-1E1-82B	4.0GPM	DEMAND	60	VITON	SANTOPRENE	3/4" QUICK ATTACH	12 VDC
5536-1E1-82B	4.0GPM	DEMAND	60	VITON	SANTOPRENE	1/2" FNPT	12 VDC
5516-2E1-63B	4.0GPM	BYPASS	60	VITON	SANTOPRENE	3/4" QUICK ATTACH	12 VDC
5536-2E1-63B	4.0GPM	BYPASS	60	VITON	SANTOPRENE	1/2" FNPT	12 VDC
5.3 GPM STANDARD							
5517-1E1-82B	5.3GPM	DEMAND	60	VITON	SANTOPRENE	3/4" QUICK ATTACH	12 VDC
5537-1E1-82B	5.3GPM	DEMAND	60	VITON	SANTOPRENE	1/2" FNPT	12 VDC
5517-2E1-63B	5.3GPM	BYPASS	60	VITON	SANTOPRENE	3/4" QUICK ATTACH	12 VDC
5537-2E1-63B	5.3GPM	BYPASS	60	VITON	SANTOPRENE	1/2" FNPT	12 VDC
EXTREME DUTY							
5537-1E3-82B	5.3GPM	DEMAND	60	VITON	GEOLAST	1/2" FNPT	12 VDC
5537-2E3-63B	5.3GPM	BYPASS	60	VITON	GEOLAST	1/2" FNPT	12 VDC
SANTOPRENE							
5534-1E5-82B	3.2GPM	DEMAND	60	SANTOPRENE	SANTOPRENE	1/2" FNPT	12 VDC
5536-1E5-82B	4.0GPM	DEMAND	60	SANTOPRENE	SANTOPRENE	1/2" FNPT	12 VDC
5537-1E5-82B	5.3GPM	DEMAND	60	SANTOPRENE	SANTOPRENE	1/2" FNPT	12 VDC
5534-2E5-63B	3.2GPM	BYPASS	60	SANTOPRENE	SANTOPRENE	1/2" FNPT	12 VDC
5536-2E5-63B	4.0GPM	BYPASS	60	SANTOPRENE	SANTOPRENE	1/2" FNPT	12 VDC
5537-2E5-63B	5.3GPM	BYPASS	60	SANTOPRENE	SANTOPRENE	1/2" FNPT	12 VDC
EPDM							
5534-1E4-82B	3.2GPM	DEMAND	60	EPDM	SANTOPRENE	1/2" FNPT	12 VDC
5536-1E4-82B	4.0GPM	DEMAND	60	EPDM	SANTOPRENE	1/2" FNPT	12 VDC
5537-1E4-82B	5.3GPM	DEMAND	60	EPDM	SANTOPRENE	1/2" FNPT	12 VDC
5534-2E4-63B	3.2GPM	BYPASS	60	EPDM	SANTOPRENE	1/2" FNPT	12 VDC
5536-2E4-63B	4.0GPM	BYPASS	60	EPDM	SANTOPRENE	1/2" FNPT	12 VDC
5537-2E4-63B	5.3GPM	BYPASS	60	EPDM	SANTOPRENE	1/2" FNPT	12 VDC
24 VDC							
5534-1E1-731A	3.2GPM	DEMAND	60	VITON	SANTOPRENE	1/2" FNPT	24 VDC
5536-1E1-731A	4.0GPM	DEMAND	60	VITON	SANTOPRENE	1/2" FNPT	24 VDC
5537-1E1-731A	5.3GPM	DEMAND	60	VITON	SANTOPRENE	1/2" FNPT	24 VDC
115 VAC							
5534-1E1-58C	3.2GPM	DEMAND	60	VITON	SANTOPRENE	1/2" FNPT	115 VAC
5536-1E1-58C	4.0GPM	DEMAND	60	VITON	SANTOPRENE	1/2" FNPT	115 VAC
5537-1E1-65C	5.3GPM	DEMAND	60	VITON	SANTOPRENE	1/2" FNPT	115 VAC

• Other Pressures Available • All Ports Available • Bypass Version Available

For other available options, see custom pages 14-15.

PUMP INFORMATION



Type

5 chamber diaphragm pump, self priming, capable of being run dry

Pressure Control

Demand
Bypass
Dual Controls
No Controls

Certification Options

CE Approval

Liquid Temperature

140°F (60°C) Max.

Priming Capabilities

14 feet (4 m)

Max Pressure Capabilities

150 PSI (10 bar)

Inlet/Outlet Ports

1/2" FNPT
3/4" Quick Attach

Weight

All models: 8 lbs (3.62 kg)

MOTOR INFORMATION



Leads

14 AWG, 12" long with 2-Pin or custom connection

Temperature Limits

Motor is not equipped with thermal protection. For user safety, optimal performance, and maximum motor life, the motor surface temperature should not exceed 180°F (82°C)



The ProFlo FatBoy® - pumps up the volume with 7 GPM.

Typical Applications: • Heavy Duty Spraying • High Pressure Cleaning • Agricultural Spraying • Starter Fertilizer • General Industrial



Made in the USA



Sealed motor



Low amp draw

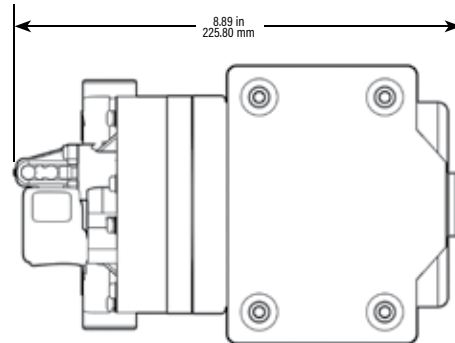
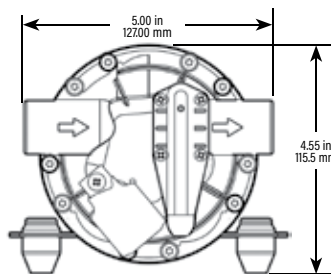


Higher flow at working pressures



Professional grade

THREADED HEAD DEMAND



FATBOY SERIES PUMP PERFORMANCE

PSI	5518			5538		
	GPM	LPM	AMPS	GPM	LPM	AMPS
OPEN	7.00	26.53	11.00	7.00	26.53	11.00
10	6.80	25.77	12.00	6.81	25.81	12.00
20	6.45	24.45	12.00	6.45	24.45	12.00
30	5.90	22.36	13.00	5.90	22.36	13.00
40	5.50	20.85	15.00	5.50	20.85	15.00
50	4.95	18.76	17.00	4.95	18.76	17.00
60	4.40	16.68	19.00	4.40	16.68	19.00
70	3.95	14.97	21.00	3.95	14.97	21.00
80	3.50	13.27	23.00	3.50	13.27	23.00
90	3.05	11.56	24.00	3.05	11.56	24.00
100	2.55	9.66	25.00	2.55	9.66	25.00

Actual performance may vary based on pump configuration.



PROFESSIONAL GRADE PUMPS

FATBOY STANDARD PUMP CONFIGURATIONS

Item	GPM	Controls	PSI	Valves	Diaphragm	Ports	Voltage
FATBOY STANDARD							
5518-1E1-94A	7.0 GPM	DEMAND	60	VITON	SANTOPRENE	3/4" QUICK ATTACH	12 VDC
5538-1E1-94A	7.0 GPM	DEMAND	60	VITON	SANTOPRENE	1/2" FNPT	12 VDC
5518-2E1-94A	7.0 GPM	BYPASS	60	VITON	SANTOPRENE	3/4" QUICK ATTACH	12 VDC
5538-2E1-94A	7.0 GPM	BYPASS	60	VITON	SANTOPRENE	1/2" FNPT	12 VDC
100 PSI							
5518-1I1-94A	7.0 GPM	DEMAND	100	VITON	SANTOPRENE	3/4" QUICK ATTACH	12 VDC
5538-1I1-94A	7.0 GPM	DEMAND	100	VITON	SANTOPRENE	1/2" FNPT	12 VDC
5518-2I1-94A	7.0 GPM	BYPASS	100	VITON	SANTOPRENE	3/4" QUICK ATTACH	12 VDC
5538-2I1-94A	7.0 GPM	BYPASS	100	VITON	SANTOPRENE	1/2" FNPT	12 VDC
EXTREME DUTY							
5518-1E3-94A	7.0 GPM	DEMAND	60	VITON	GEOLAST	3/4" QUICK ATTACH	12 VDC
5538-1E3-94A	7.0 GPM	DEMAND	60	VITON	GEOLAST	1/2" FNPT	12 VDC
5518-2E3-94A	7.0 GPM	BYPASS	60	VITON	GEOLAST	3/4" QUICK ATTACH	12 VDC
5538-2E3-94A	7.0 GPM	BYPASS	60	VITON	GEOLAST	1/2" FNPT	12 VDC
SANTOPRENE							
5518-1E5-94A	7.0 GPM	DEMAND	60	SANTOPRENE	SANTOPRENE	3/4" QUICK ATTACH	12 VDC
5538-1E5-94A	7.0 GPM	DEMAND	60	SANTOPRENE	SANTOPRENE	1/2" FNPT	12 VDC
5518-2E5-94A	7.0 GPM	BYPASS	60	SANTOPRENE	SANTOPRENE	3/4" QUICK ATTACH	12 VDC
5538-2E5-94A	7.0 GPM	BYPASS	60	SANTOPRENE	SANTOPRENE	1/2" FNPT	12 VDC
EPDM							
5518-1E4-94A	7.0 GPM	DEMAND	60	EPDM	SANTOPRENE	3/4" QUICK ATTACH	12 VDC
5538-1E4-94A	7.0 GPM	DEMAND	60	EPDM	SANTOPRENE	1/2" FNPT	12 VDC
5518-2E4-94A	7.0 GPM	BYPASS	60	EPDM	SANTOPRENE	3/4" QUICK ATTACH	12 VDC
5538-2E4-94A	7.0 GPM	BYPASS	60	EPDM	SANTOPRENE	1/2" FNPT	12 VDC
115 VAC							
5518-1E1-69C	7.0 GPM	DEMAND	60	EPDM	SANTOPRENE	3/4" QUICK ATTACH	115 VAC
5538-1E1-69C	7.0 GPM	DEMAND	60	EPDM	SANTOPRENE	1/2" FNPT	115 VAC
5518-2E1-69D	7.0 GPM	BYPASS	60	EPDM	SANTOPRENE	3/4" QUICK ATTACH	115 VAC
5538-2E1-69D	7.0 GPM	BYPASS	60	EPDM	SANTOPRENE	1/2" FNPT	115 VAC
115V 100 PSI							
5518-1I1-69C	7.0 GPM	DEMAND	100	EPDM	SANTOPRENE	3/4" QUICK ATTACH	115 VAC
5538-1I1-69C	7.0 GPM	DEMAND	100	EPDM	SANTOPRENE	1/2" FNPT	115 VAC
5518-2I1-69D	7.0 GPM	BYPASS	100	EPDM	SANTOPRENE	3/4" QUICK ATTACH	115 VAC
5538-2I1-69D	7.0 GPM	BYPASS	100	EPDM	SANTOPRENE	1/2" FNPT	115 VAC

• Other Pressures Available

For other available options, see custom pages 14-15.



PUMP INFORMATION



Type

High flow 5 chamber diaphragm pump, self priming, capable of being run dry

Pressure Control

Demand
Bypass
No Controls
Dual Controls

Liquid Temperature

140°F (60°C) Max.

Priming Capabilities

14 feet (4 m)

Max Pressure Capabilities

150 PSI (10 bar)

Inlet/Outlet Ports

1/2" FNPT
3/4" Quick Attach

Weight

10 lbs (4.5 kg)

MOTOR INFORMATION



Leads

12 AWG, 12" long

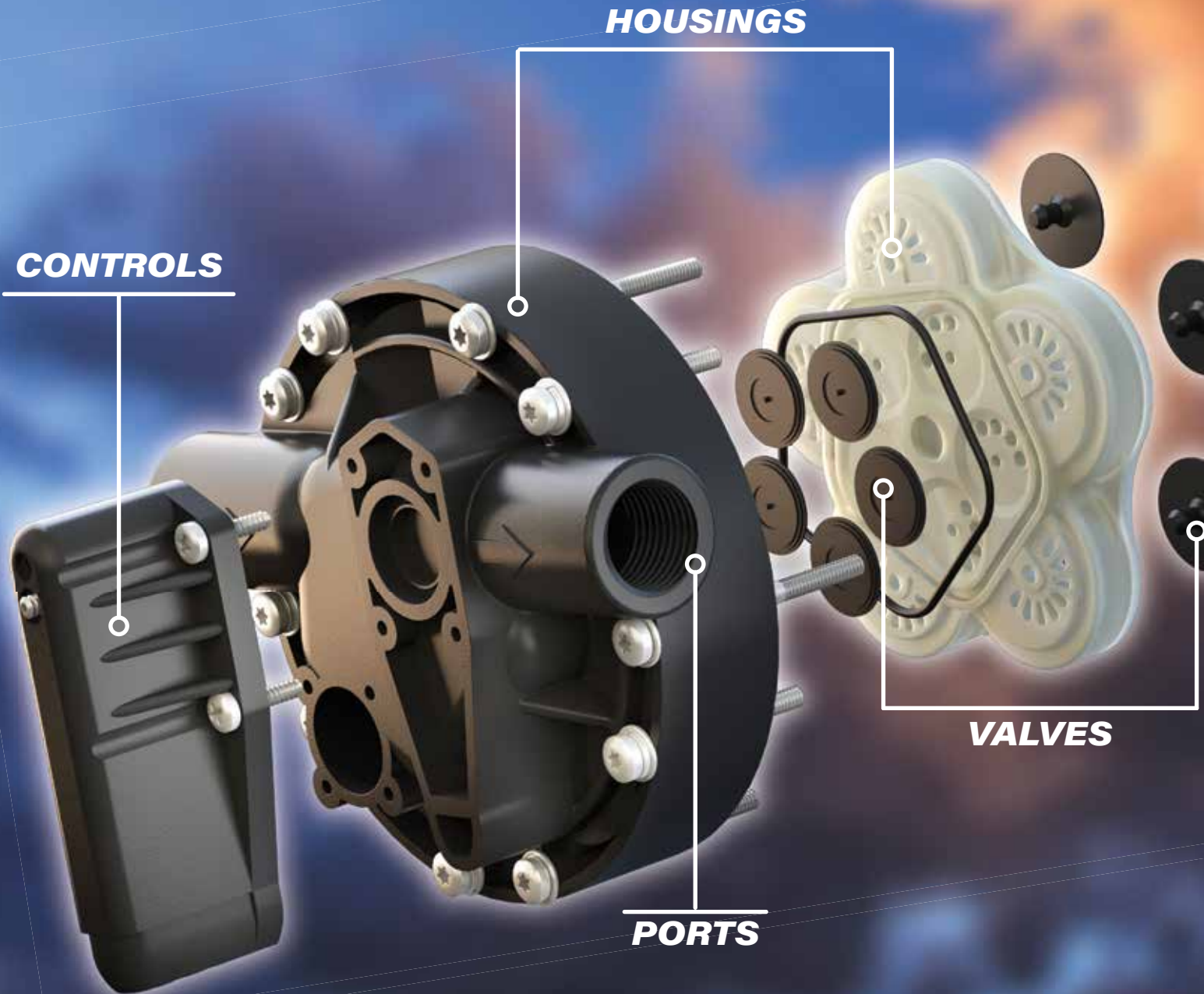
Temperature Limits

Motor is not equipped with thermal protection. For user safety, optimal performance, and maximum motor life, the motor surface temperature should not exceed 180°F (82°C)



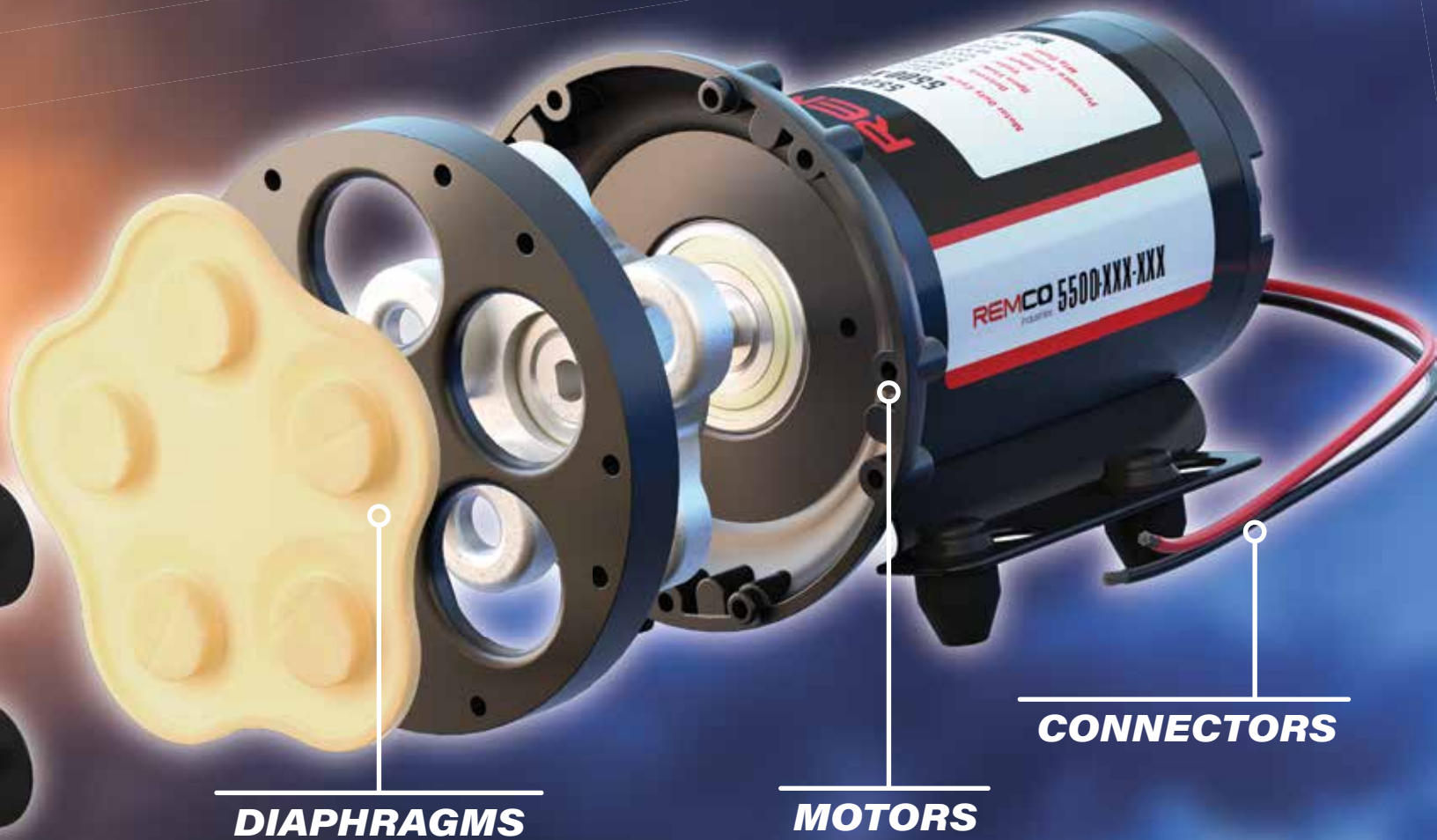
Custom Pump Configurations

Let REMCO configure and deliver the right pump for the right job.



Call 1-800-228-2481 to speak with a REMCO Pump Professional about your custom pump requirements.

REMCO
Custom



DIAPHRAGMS

MOTORS

CONNECTORS

CONTROLS	HOUSINGS	PORTS	VALVES	DIAPHRAGMS	MOTORS	CONNECTORS
Bypass	Nylon	Quick Attach	Santoprene	Santoprene	Sealed	Lead Wires
Demand	Polypro	FNPT	Viton	Viton	12, 24, 36 DC Volts	2 Pin Connector
Dual Controls	High Flow	MNPT	BUNA	Geolast	115, 230 AC Volts	Custom Wire Lengths
No Controls	High Pressure		EPDM	BUNA	Higher Speed / Torque	Metripack
Smart Controllers				High Prime	Heat Sinks	Weather Pack
FloQ					On/Off Switch	Mate & Lock
					Thermal Protection	Heat Shrink Connectors

Additional options: Reverse Flow, Precision Flow Configurations, Specific Pressure Configurations (30-150 PSI), Speed Controllers, Barcoding, Various Packaging Options, Custom label/logo

Certifications: CE, NSF, CSA, ROHS





Remco Smoothflo – a quantum leap in flow control and performance.

Typical Applications: • RV and Coach water pumps • Ag water pumps • Transfer pumps



Made in the USA



Remco FLO-IQ™ technology eliminates switch cycling.

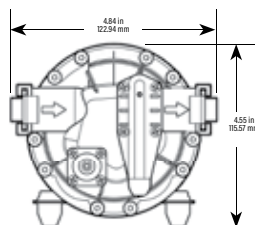


1 Year Warranty

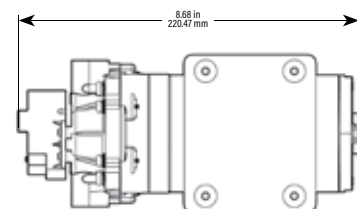
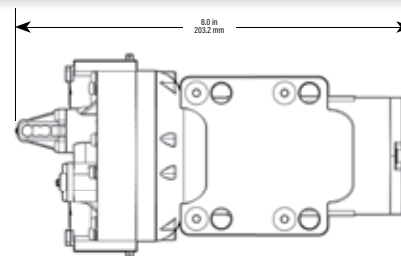
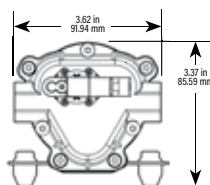


Professional grade - with FloIQ™, automatically regulates flow maximizing the flow under higher pressures.

5900 QUICK ATTACH HEAD



3900 THREADED HEAD



SMOOTHFLO SERIES PUMP PERFORMANCE

PSI	3923			5915/5935			5916/5936			5917/5937			5918/5938		
	GPM	LPM	AMPS	GPM	LPM	AMPS	GPM	LPM	AMPS	GPM	LPM	AMPS	GPM	LPM	AMPS
OPEN	2.20	8.34	3.50	3.10	11.75	4.00	4.55	17.24	7.50	5.30	20.09	8.00	7.00	26.53	11.00
10	2.00	7.58	4.50	2.80	10.61	5.00	4.10	15.54	8.50	5.11	19.37	9.50	6.81	25.81	12.00
20	1.95	7.39	5.00	2.30	8.72	6.00	3.75	14.21	9.50	4.75	18.00	11.00	6.45	24.45	12.00
30	1.70	6.44	5.50	2.10	7.96	7.00	3.40	12.89	11.00	4.30	16.30	13.00	5.90	22.36	13.00
40	1.60	6.06	6.00	1.90	7.20	8.00	3.05	11.56	12.50	3.85	14.59	15.00	5.50	20.85	15.00
50	1.55	5.87	7.00	1.65	6.25	8.50	2.75	10.42	14.00	3.40	12.89	17.00	4.95	18.76	17.00
60	1.45	5.50	7.50	1.45	5.50	9.50	2.45	9.29	15.00	3.00	11.37	18.00	4.40	16.68	19.00
70	1.40	5.31	8.00	1.40	5.31	10.00	2.35	8.91	16.00	2.55	9.66	19.00	3.95	14.97	21.00
80	1.35	5.12	8.75	1.35	5.12	10.50	2.20	8.34	16.75	2.25	8.53	19.75	3.50	13.27	23.00
90	1.25	4.74	9.50	1.30	4.93	11.00	2.00	7.58	17.50	2.05	7.77	20.75	3.05	11.56	24.00
100	1.00	3.79	10.00	1.25	4.74	11.75	1.90	7.20	18.00	2.00	7.58	22.00	2.55	9.66	25.00

Actual performance may vary based on pump configuration.

3900 / 5900 STANDARD PUMP CONFIGURATIONS

Item Number	GPM	Controls	PSI	Valves	Diaphragm	Ports	Voltage
2.2GPM							
3923-9E2-82B	2.2 GPM	FloIQ	60	VITON	SANTOPRENE	3/8" FNPT	12 VDC
3923-9J2-82B	2.2 GPM	FloIQ	120	VITON	SANTOPRENE	3/8" FNPT	12 VDC
3.2 GPM							
5915-9E1-63B	3.0 GPM	FloIQ	60	VITON	SANTOPRENE	3/4" QUICK ATTACH	12 VDC
5935-9E1-63B	3.0 GPM	FloIQ	60	VITON	SANTOPRENE	1/2" FNPT	12 VDC
4.0 GPM							
5916-9E1-63B	4.0 GPM	FloIQ	60	VITON	SANTOPRENE	3/4" QUICK ATTACH	12 VDC
5936-9E1-63B	4.0 GPM	FloIQ	60	VITON	SANTOPRENE	1/2" FNPT	12 VDC
5.3 GPM							
5917-9E1-63B	5.3 GPM	FloIQ	60	VITON	SANTOPRENE	3/4" QUICK ATTACH	12 VDC
5937-9E1-63B	5.3 GPM	FloIQ	60	VITON	SANTOPRENE	1/2" FNPT	12 VDC
Rebel RV PUMPS							
53REBEL-JRV	3.0 GPM	Dual	60	EPDM	SANTOPRENE	3/4" QUICK ATTACH	12 VDC
54REBEL-JRV	4.0 GPM	Dual	60	EPDM	SANTOPRENE	3/4" QUICK ATTACH	12 VDC
55REBEL-JRV	5.3 GPM	Dual	60	EPDM	SANTOPRENE	3/4" QUICK ATTACH	12 VDC

• Other Materials Available • Other Voltages Available • Fittings Included

For other available options, see custom pages 14-15



PUMP INFORMATION



Type

Diaphragm

Pressure Control

Dual Control
FloIQ

Certifications

NSF, CSA pending - 54REBEL-JRV



Liquid Temperature

140°F (60°C) Max.

Priming Capabilities

8 ft (2.4 m)

Max Pressure Capabilities

120 PSI (8.25 bar)

Inlet/Outlet Ports

3/8" FNPT
1/2" FNPT
3/4" Quick Attach

Weight

5900 - 8lbs (3.2 kg)
3900 - 6lbs (2.7 kg)

MOTOR INFORMATION



Leads

14 awg, 7" long
2-Pin mold connector or
custom connection

Temperature Limits

Motor is not equipped with thermal protection. For user safety, optimal performance, and maximum motor life, the motor surface temperature should not exceed 180°F (82°C)

Aquajet

POWER RV
SERIES



The PowerRV Aquajet-
variable speed, low noise,
and steady performance.

Typical Applications: • RV and Coach water pumps • Ag water pumps • Transfer pumps



Made in the USA



Smoother flows without rapid cycling



Improved safety features



Greater flows higher pressures

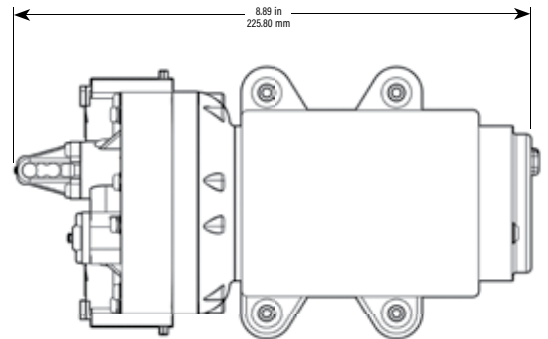
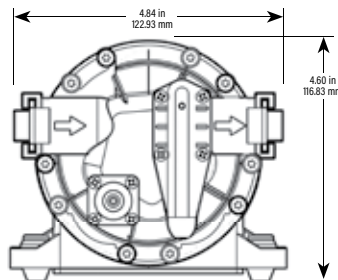


Virtually silent operation



Eco-Friendly

AQUAJET VARIABLE SPEED



AQUAJET SERIES PUMP PERFORMANCE

PSI	AQUAJET-AES/OES			AQUAJET-ARV/ORV		
	GPM	LPM	AMPS	GPM	LPM	AMPS
OPEN	3.40	12.89	3.50	5.30	20.09	7.25
10	3.00	11.37	4.50	4.75	18.00	8.50
20	2.70	10.23	5.50	4.00	15.16	9.75
30	2.30	8.72	6.50	3.25	12.32	10.00
40	2.00	7.58	6.50	2.50	9.48	10.00
50	1.60	6.06	6.50	2.25	8.53	10.00
60	1.25	4.74	6.50	1.75	6.63	10.00
70	1.00	3.79	6.50	1.50	5.69	10.00

Actual performance may vary based on pump configuration.



PROFESSIONAL GRADE PUMPS

AQUAJET STANDARD PUMP CONFIGURATIONS

Item Number	GPM	Controls	PSI	Valves	Diaphragm	Ports	Voltage
3.4 GPM							
55AQUAJET-AES	• 3.4 GPM	VARIABLE SPEED	65	EPDM	SANTOPRENE	3/4" QUICK ATTACH	12 VDC
55AQUAJET-OES	3.4 GPM	VARIABLE SPEED	65	EPDM	SANTOPRENE	3/4" QUICK ATTACH	12 VDC
5.3 GPM							
55AQUAJET-ARV	• 5.3 GPM	VARIABLE SPEED	65	EPDM	SANTOPRENE	3/4" QUICK ATTACH	12 VDC
55AQUAJET-ORV	5.3 GPM	VARIABLE SPEED	65	EPDM	SANTOPRENE	3/4" QUICK ATTACH	12 VDC
24 VDC							
55AQUAJET-ARV24	• 5.3 GPM	VARIABLE SPEED	65	EPDM	SANTOPRENE	3/4" QUICK ATTACH	24 VDC
115 VAC							
55AQUAJET-WVS45-115	• 5.3 GPM	VARIABLE SPEED	65	EPDM	SANTOPRENE	3/4" QUICK ATTACH	115 VAC

• 3/4"QA x 1/2" MNPT Fittings included in box
Other configurations available, please consult factory

As variable speed technology is becoming increasingly popular throughout the RV industry, Remco remains committed to its continued product leadership. Our unmatched experience with both RV manufacturers and owners has enabled us to provide "the best RV pumps in the world."

QTS-556 Fitting



PUMP INFORMATION



Type

5 chamber variable speed diaphragm pump, self priming, capable of being run dry

Pressure Control

Variable Speed Control Unit

Certifications

NSF, CSA

Liquid Temperature

140°F (60°C) Max.

Priming Capabilities

AES: 10 feet (3 m)

ARV: 13 feet (4 m)

Max Pressure

65PSI (4.5bar)

Inlet/Outlet Ports

3/4" Quick Attach

Weight

8 lbs (3.6 kg)

MOTOR INFORMATION



Leads

14 AWG, 12" long

Temperature Limits/ Thermal Protection

If the heat rises above 185°F (85°C), an auto reset thermal protector will shut down the system, allowing the components to cool.

Low Voltage Shut-off



Rate Controllers



REMCO Rate Controllers - an unmatched fit for all fertilizer applications.

Typical Applications: • Agricultural Spraying • Fertilizer Applications • 12VDC Motor Control

RATE CONTROLLERS (Includes Pig Tails and Mounting Screws)

ITEM NUMBER	DESCRIPTION
RRC15-NG	NO GAUGE, 15 AMP
RRC35-NG	NO GAUGE 35 AMP
RRC15-DD	DIGITAL DISPLAY, 15 AMP, INCLUDES PRESSURE SENSOR AND CABLE
RRC35-DD	DIGITAL DISPLAY, 35 AMP, INCLUDES PRESSURE SENSOR AND CABLE

RATE CONTROLLER KITS (Includes Power and Pump Wiring and Mounting Screws)

ITEM NUMBER	DESCRIPTION
RRC15-NGK	NO GAUGE, 15 AMP, WITH WIRING KITS
RRC35-NGK	NO GAUGE 35 AMP, WITH WIRING KITS
RRC15-60GK	WITH GAUGE KIT, 15 AMP, WITH WIRING KITS
RRC35-60GK	WITH GAUGE KIT, 35 AMP, WITH WIRING KITS
RRC15-DDK	DIGITAL DISPLAY, 15 AMP, INCLUDES PRESSURE SENSOR AND CABLE, WITH WIRING KITS
RRC35-DDK	DIGITAL DISPLAY, 35 AMP, INCLUDES PRESSURE SENSOR AND CABLE, WITH WIRING KITS

ACCESORIES AND PARTS

ITEM NUMBER	DESCRIPTION
WHK-10RB-20GW	INPUT/OUTPUT WIRING SET, INCLUDES: 10FT RED/BLACK POWER IN, 20 FT WHITE/GREEN OUTPUT
WHK-20GW-EXT	20 FT OUTPUT EXTENSION CABLE, WHITE/GREEN OUTPUT
WHK-20DPS	REPLACEMENT 20 FT DIGITAL PRESSURE SENSOR CABLE
WHK-20DPS-EXT	20 FT DIGITAL PRESSURE SENSOR EXTENSION CABLE
G-PK	PLUMBING KIT (INCLUDES: 20 FT 1/4" POLY TUBE, UNION, 1/4" NPT MALE & FEMALE ADAPTERS)
G60-MK	60 PSI SS AMMONIA GAUGE KIT - 1/4" MALE NPT INLET, INCLUDES GAUGE, BRACKET
DPS-100	REPLACEMENT DIGITAL PRESSURE SENSOR
MS-4X10241	MOUNTING SCREW SET (INCLUDES: 4 #10-24X1" SCREWS AND TOOTH WASHER LOCKNUTS)



Heavy-duty sealed wire connections



Reverse polarity protection



Manual rheostat for accurate speed and pressure control



Circuit breaker protection



Made in the USA



Professional grade



1 Year Warranty

Accumulator Tank / Pulsation Dampener



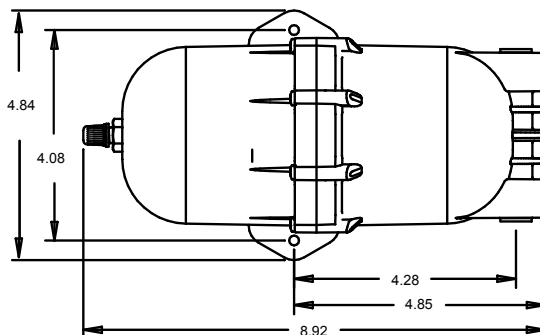
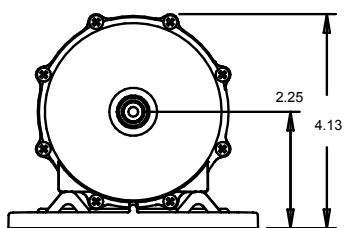
Typical Applications: • Fresh Water • General Industrial • RV and Coach Water Pumps

ACCUMULATOR STANDARD PUMP CONFIGURATIONS

ITEM NUMBER	PORTS	DIMENSIONS	TOTAL VOLUME	MAX PSI
RACT-820-NTP	1/2" MALE NPT	8.92" X 4.8" X 4.13"	27OZ/820 ML	125 PSI/8.5 BAR
RACT-820-JG	3/8" JOHN GUEST	8.92" X 4.8" X 4.13"	27OZ/820 ML	125 PSI/8.5 BAR



ACCUMULATOR TANK / PULSATION DAMPENER



ACCUMULATOR INFORMATION

Certifications

NSF & CSA Listed



Liquid Temperature

140°F (60°C) Max.

Precharge Pressure

20 PSI (1.38 bar)

Max Pressure

125 PSI (8.5 bar)

Inlet/Outlet Ports

1/2" Male NPT

3/8" John Guest

Weight

8 lbs (3.6 kg)



Dampens pump switch cycling / pulsations



Limits harmful spikes / water hammer



Minimizes hydraulic noise



CSA Listing



NSF food grade materials



REPLACEMENT PUMP PARTS

Motor

(Includes sealed end bell)

Item Number	Description
M382-S	3300 No Switch, 2-pin Connector, Demand
M382B-S	3300 NO Switch, 2-pin Connector, Bypass
M582-S	5500 No Switch, 2-pin Connector, Demand
M582B-S	5500 No Switch, 2-pin Connector, Bypass
M70-563-JDS-D	5500 No Switch, 2-pin Connector, High Performance, Demand
M70-563-JDS	5500 No Switch, 2-pin Connector, High Performance, Bypass
70-594-00-D	Fatboy, No Switch, No Connector, Demand
70-594-00	Fatboy, No Switch, No Connector, Bypass



Upper Housing Assembly

(Includes pump head housing, pressure control parts and assembly screws)

Item Number	Description
UHA7880-7F77	3300 w/Pressure Switch - 3/8" Threaded
UHA7880-8F77	3300 w/Bypass - 3/8" Threaded
UHA7803-7F77	3300 w/Pressure Switch - 3/4" Quick Attach
UHA7803-8F77	3300 w/Bypass - 3/4" Quick Attach
UHA5513-1X77	5500 w/Pressure Switch - 1/2" Threaded
UHA5513-2X77	5500 w/Bypass - 1/2" Threaded
UHA5503-1X77	5500 w/Pressure Switch - 3/4" Quick Attach
UHA5503-2X77	5500 w/Bypass - 3/4" Quick Attach



Lower Housing Assembly

(Includes housing, diaphragm, pistons, cam and bearing)

Item Number	Description
LHA7860-7F77	1.2GPM - Demand or Bypass
LHA7863-7F77	2.2GPM - Demand or Bypass
LHA5510-1E77	3.2GPM - Demand or Bypass
LHA5512-1E77	4.0GPM - Demand or Bypass
LHA5513-1E77	5.3GPM - Demand or Bypass



Valve Housing Assembly

(Includes valves and valve housing)

Item Number	Description
VHA7863-7F77	3300 Series Pumps, Viton
VHA5513-1E77	5500 Series Pumps, Viton
VHA5513SANTO-R	5500 Series Pumps, Santoprene
VHA5513EPDM-R	5500 Series Pumps, EPDM



**REPLACEMENT PUMP PARTS****Threaded Heads**

Item Number	Description
7880-8F77	1.2 GPM w/Bypass - 3/8"
7880-7F77	1.2 GPM w/Pressure Switch - 3/8"
7883-8F77	2.2 GPM w/Bypass - 3/8"
7883-7F77	2.2 GPM w/Pressure Switch - 3/8"
5510-1X77	3.2 GPM w/Pressure Switch - 1/2"
5510-2X77	3.2 GPM w/Bypass - 1/2"
5512-1X77	4.0 GPM w/Pressure Switch - 1/2"
5512-2X77	4.0 GPM w/Bypass - 1/2"
5513-1X77	5.3 GPM w/Pressure Switch - 1/2"
5513-2X77	5.3 GPM w/Bypass - 1/2"
PH-5538E-D	7.0 GPM - FATBOY w/Pressure Switch - 1/2"
PH-5538E-B	7.0 GPM - FATBOY w/Bypass - 1/2"
PHA-SMOOTHFLO	2.2 GPM - SMOOTHFLO - 3/8"
5912-5X77	4.0 GPM - SMOOTHFLO - 1/2"
5913-5X77	5.3 GPM - SMOOTHFLO - 1/2"

Quick Attach Heads

Item Number	Description
7803-8F77	2.2 GPM w/Bypass - 3/4"
7803-7F77	2.2 GPM w/Pressure Switch - 3/4"
5500-1X77	3.2 GPM w/Pressure Switch - 3/4"
5500-2X77	3.2 GPM w/Bypass - 3/4"
5502-1X77	4.0 GPM w/Pressure Switch - 3/4"
5502-2X77	4.0 GPM w/Bypass - 3/4"
5503-1X77	5.3 GPM w/Pressure Switch - 3/4"
5503-2X77	5.3 GPM w/Bypass - 3/4"
PH-5518E-D	7.0 GPM - FATBOY w/Pressure Switch - 3/4"
PH-5518E-B	7.0 GPM - FATBOY w/Bypass - 3/4"
3903-5X77	2.2 GPM - SMOOTHFLO
5902-5X77	4.0 GPM - SMOOTHFLO
5903-5X77	5.3 GPM - SMOOTHFLO

**REMCO**

Genuine Parts and Accessories

PUMP FITTINGS

ProFLO™ 3/4" Quick Attach Fittings

Item Number	Size	Fitting Type	Material
FQ5S-38	3/4" QA x 3/8"	HB Straight Fitting w/ O-Ring	Poly
FQ5S-12	3/4" QA x 1/2"	HB Straight Fitting w/ O-Ring	Poly
FQ5S-34	3/4" QA x 3/4"	HB Straight Fitting w/ O-Ring	Poly
FQ5E-38	3/4" QA x 3/8"	HB Elbow Fitting w/ O-Ring	Poly
FQ5E-12	3/4" QA x 1/2"	HB Elbow Fitting w/ O-Ring	Poly
FQ5E-34	3/4" QA x 3/4"	HB Elbow Fitting w/ O-Ring	Poly
QTS-556	3/4" QA x 1/2"	MNPT Straight w/ O-Ring	Poly
FQ5ME-12	3/4" QA x 1/2"	MNPT Elbow w/ O-Ring	Poly



FQ5S Series Fitting



FQ5E Series Fitting



QTS-556 Fitting



FQ5ME-12 Fitting

SPRAY GUNS

Reference	Description	Orifice	Length	Hose Barb Inlet
RESG-1830	Economy Spot Spray Gun Filter in Handle	#18	30"	3/8"
RDSG-1818	Deluxe Pistol Grip Spray Gun	#18	18"	3/8"
RTSG-1800	Trigger Grip Spray Gun	#18	18"	3/8"



RDSG-1818



RTSG-1800



RESG-1830

**REMCO**

Genuine Parts and Accessories

PUMP FILTERS

Filter Number	Inlet	Outlet	Mesh Size
R-309T153	1/2" HB	3/8" MBSP	50
R-309T253	1/2" HB	1/2" MBSP	50
R-309TB53	1/2" HB	3/4" Male Quick Attach	50
10546	1/2" MNPT	1/2" FNPT Inline Filter/Strainer	50
SS10834	50 Mesh	3/8" Tube	50
SS10422T	50 Mesh	1/2" FNPT	50
LS5512B	1/2" Hose Barb	1/2" Hose Barb	50
LS3338T	3/8" FNPT	3/8" FNPT	50
LS3338MT	3/8" MNPT	3/8" MNPT	50
LS3338B	3/8" Hose Barb	3/8" Hose Barb	50
25-181	3/4" Male Quick Attach	3/4" Female Quick Attach	40
MF-34F34M	3/4" Male Quick Attach	3/4" Female Quick Attach	50



SS10834 Filter



SS10422T Filter



LS5512B Filter



LS3338T Filter



LS3338MT Filter



LS3338B Filter



10546 Filter



MF-34F34M Filter



R-309T153 Filter



R-309T253 Filter



R-309TB53 Filter



25-181 Filter



WIRE HARNESSES

Reference	Type	Length	Molded 2-pin connector
A 901-001	16 AWG wiring harness with on-off switch car adaptor	116.00"	x
B 901-002	16 AWG wiring car adaptor	11.00"	x
C 901-003	16 AWG wiring 30-amp battery clips	15.00"	x
D 901-004	16 AWG wiring harness with on-off switch, two 30-amp battery clips	98.00"	x
E 901-005	16 AWG wiring harness with on-off switch	92.00 "	x
F 901-006	16 AWG wiring harness with on-off switch, lead wire/2-Pin connector combo	30.00"	x
G 901-008	16 AWG wiring harness, lead wire/2-Pin connector	72.00"	x
H 901-009	16 AWG wiring harness kit, Includes 901-002, 901-003, 901-005		
I 901-010	16 AWG wiring harness - 2-pin connector on both ends.	90.00"	x
J 901-011	16 AWG wiring harness - 2-pin connector on both ends.	180.00"	x
K 901-012	16 AWG wiring harness with on-off switch	210.00"	x
J 901-SW	16 AWG on-off Switch. 1.5" length and no connector.		



Standard Warranty

REMCO warrants its products to be free from defects in material and workmanship on all products sold by REMCO for resale or for use in purchasers' own business or original equipment manufacturer. Under normal use, maintenance and service (rental use excluded) the following terms apply:

For all REMCO pumps, the warranty will last for a period of one (1) year from date of manufacture, or one (1) year use with proof of purchase, not to exceed two (2) years in any event. REMCO's obligation under this warranty shall be limited to replacing or repairing, at REMCO's discretion, any such product or part which must be returned to REMCO's factory with a Return Material Authorization number (RMA), transportation charges approved by REMCO or prepaid, and which, upon examination, is found to REMCO's satisfaction to have been defective under the terms of this warranty. No credit will be allowed against future purchases for items returned as defective under the terms of REMCO's warranty. REMCO warrants all pump series to be free from material and workmanship defects (under normal use and service) for a period of one (1) year from the date of manufacture, or one (1) year use with proof of purchase, not to exceed two (2) years in any event. This warranty does not extend to any products which have been altered or modified outside the REMCO factory; to any products that have not been properly maintained; nor to units that are returned in an unassembled condition. Furthermore, the warranty does not extend to pumps that are non-compliant with REMCO's Engineering Standards. This includes, but is not limited to, pumps ordered without an integral pressure control mechanism. The warranty guarantees that products will perform to REMCO's flow and pressure specifications throughout the life of the warranty. The warranty does not cover wear, appearance, misuse, abuse, misapplication or external water damage. If the returned product is found not to be defective under the conditions of this warranty, a charge will be made for repair or replacement.

Brush wear may be limited to 1000 hours or less.

This is a Limited Warranty. It covers the product only and the extent of the coverage is limited to the cost of the product. As the manufacturer has no control over shipping, handling and installation, the warranty cannot cover water damage, or any other damage, caused by a leak or other malfunction.

THIS WARRANTY IS IN LIEU OF ALL WARRANTIES, EXPRESSED OR IMPLIED, INCLUDING IMPLIED WARRANTIES OR WARRANTIES OF MERCHANTABILITY AND/OR FITNESS FOR A PARTICULAR PURPOSE. NO PERSON IS AUTHORIZED TO GIVE ANY OTHER WARRANTY OR ASSUME OBLIGATION OR LIABILITY ON REMCO'S BEHALF. REMCO SHALL NOT BE LIABLE FOR ANY INDIRECT, INCIDENTAL, PUNITIVE OR CONSEQUENTIAL DAMAGES OF ANY KIND INCURRED BY THE REASON OF THE USE OR SALE OF ANY DEFECTIVE PRODUCT AND PART. THIS WARRANTY SHALL BE GOVERNED BY THE LAWS OF THE STATE OF MINNESOTA, WITH ANY DISPUTE OR CLAIM VENUED OR HEARD IN THE STATE OF MINNESOTA.

REMCO



4605 County Road 82 SE
Alexandria, MN 56308
Phone: 763-253-4740
Toll Free: 1-800-228-2481
Fax: 763-253-4741

www.remcoindustries.com

© Copyright Remco Industries 2019. All rights reserved.



www.youtube.com/remcoindustries



www.facebook.com/remcoindustries



Remco_A I_2019_r1