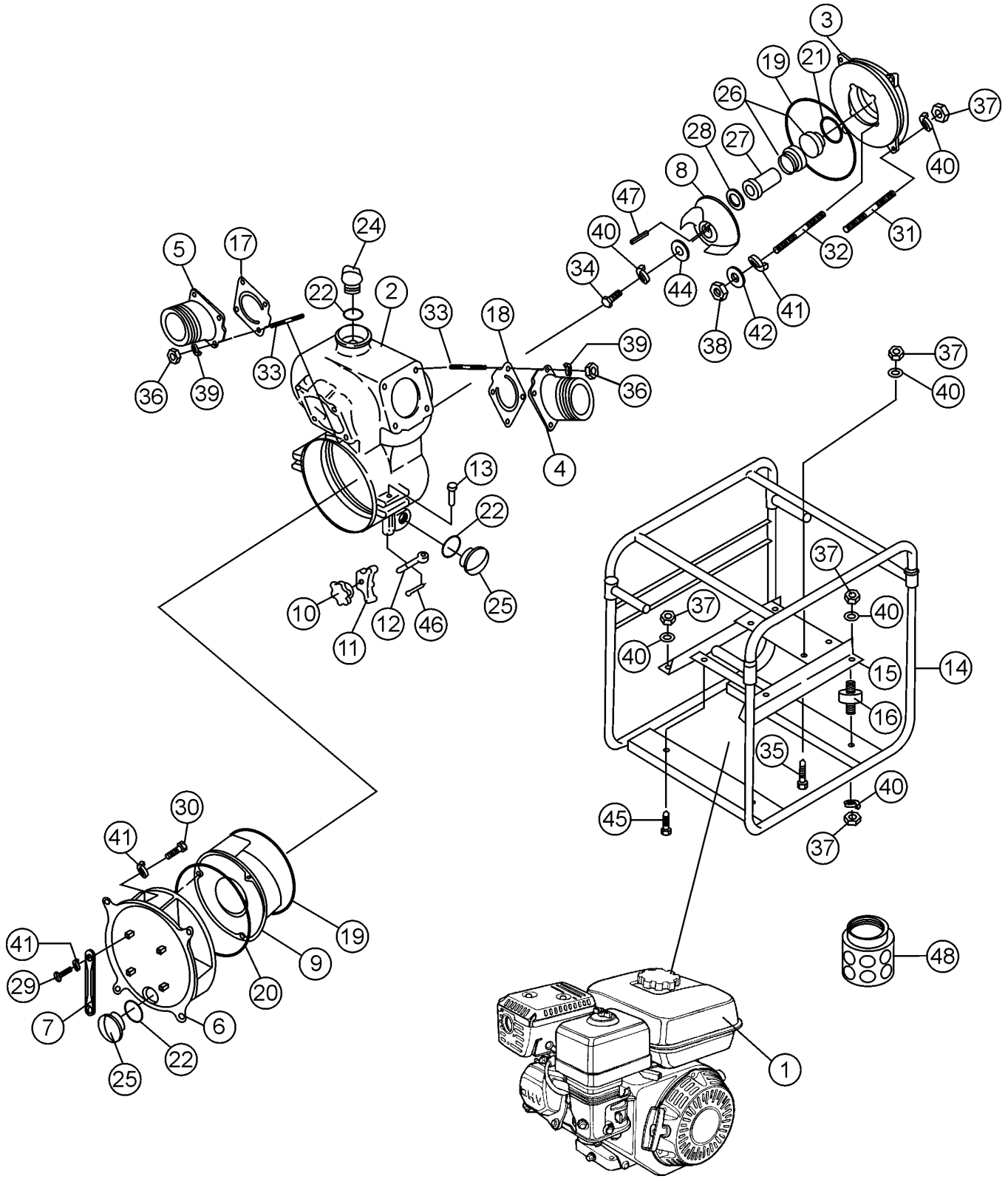


QP40TH — PUMP ASSY.

PUMP ASSY.



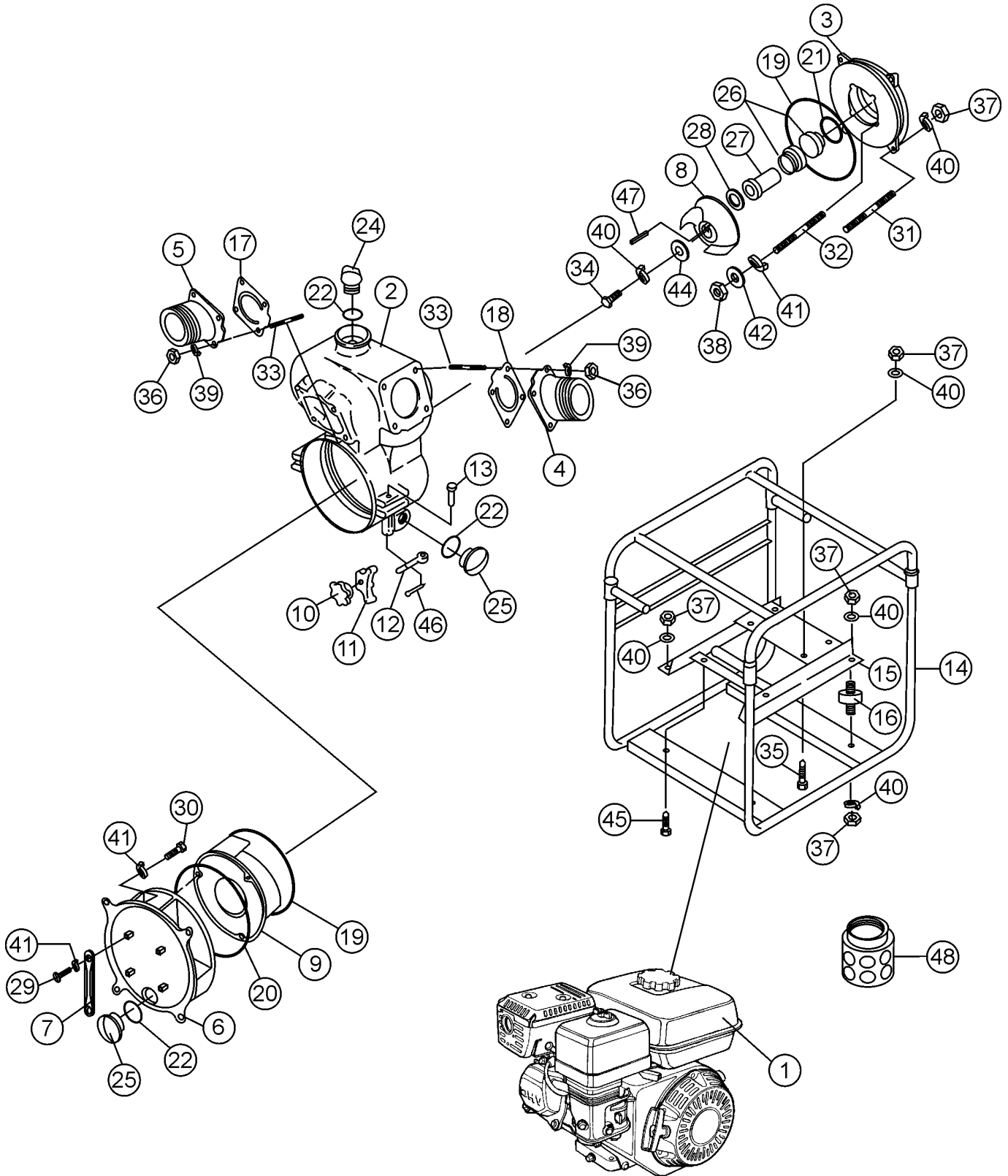
QP40TH — PUMP ASSY.

PUMP ASSY.

<u>NO.</u>	<u>PART NO.</u>	<u>PART NAME</u>	<u>QTY.</u>	<u>REMARKS</u>
1	GX340K1QA2	ENGINE, HONDA GX340K1QA2	1	
2	1412060010	CASING	1	
3	1418060021	CASING COVER	1	
4	1414000090	DELIVERY COVER NPT4"	1	
5	1414000090	SUCTION COVER NPT4"	1	
6	1268100170	DRAIN COVER	1	
7	1247100250	DRAIN COVER HANDLE	2	
8	1418040030	IMPELLER	1	
9	1412000130	VOLUTE CASING	1	
10	1247000190	DRAIN COVER SET HANDLE	2	
11	1247000200	DRAIN COVER PUSH PLATE	2	
12	1247200270	HINGE BOLT M12 x 90	2	
13	1247220280	HINGE PIN DIA 12 x 65	2	
14	1414214010	BASE	1	
15	1437214020	ENGINE BASE	1	
16	0723302546	CUSHION RUBBER	4	
17	1401350350	CHECK VALVE	1	
18	1401330360	DELIVERY COVER PACKING	1	
19	0489312300	O-RING (VOLUTE CASING) DIA 3.1 x 228	2	
20	0489352400	O-RING (DRAIN COVER) DIA 3.5 x 240	1	
21	0482200240	O-RING (MECHANICAL SEAL SLEEVE) S24	1	
22	0480350300	O-RING (FLOODING-DRAIN CAP) P30	3	
24	0631211100	FLOODING CAP PF1"	1	
25	0631211100	DRAIN CAP PF1"	2	
26	0801123530	MECHANICAL SEAL DIA 30	1	
27	0811883034	MECHANICAL SEAL SLEEVE	1	
28	0852834525	ADJUST LINER DIA 45 x 25.4 10.3	1	
28	0852854525	ADJUST LINER DIA 45 x 25.4 10.5	1	
29	0141050825	SCREW (DRAIN COVER HANDLE) M8 x 25	4	
30	0141090825	SCREW (VOLUTE CASING) M8 x 25	2	

QP40TH — PUMP ASSY.

PUMP ASSY.



QP40TH — PUMP ASSY.

PUMP ASSY.

<u>NO.</u>	<u>PART NO.</u>	<u>PART NAME</u>	<u>QTY.</u>	<u>REMARKS</u>
31	0151151025	STUD BOLT (CASING) M10 x 35 x 10 x 15	4	
32	0151140536	STUD BOLT (CASING CVR) 5/16" x 52 x 15 x 15	4	
33	0151151230	STUD BOLT(DELIVERY/SUCTION COVER) M12 x 45 x 15 x 20	8	
34	0191150625	BOLT (IMPELLER) 3/8-24 UNF x25	1	
35	0105051045	BOLT (ENGINE) M10 x 25	4	
36	0205450120	NUT (DELIVERY/SUCTION COVER) M12	8	
37	0205450100	NUT (CUSHION RUBBER, CASING, ENGINE, PUMP M10	18	
38	0205450055	NUT, 5/16"	4	
39	0451250120	SPRING WASHER M12	8	
40	0451250100	SPRING WASHER M10	19	
41	0458220080	SPRING WASHER M8	10	
42	0401450080	WASHER M8	4	
43	0401450100	WASHER M10	4	
44	1412201240	IMPELLER WASHER DIA 38 x 11 x 6T	1	
45	0105051035	BOLT (PUMP) M10 x 35	2	
46	0641400430	SPLIT PIN DIA 4 x 30	2	
47	0520040425	KEY 6.32 x 25.4	1	
48	0742214100	STRAINER NPT4"	1	