



KITS



PUMPS



METERS



METERED NOZZLES



NOZZLES



WASTE OIL EQUIPMENTS

# GREASE HOSE REEL

## FEATURES

- HEAVY DUTY SPRING
- LONG LASTING STEEL HUB
- HIGH PRESSURE

The PIUSI GREASE HOSE REEL is an automatic closed hose reel for grease. Manufactured accordingly to the most demanding requirements, it is suitable for all grease heavy duty applications. Its heavy-duty cabinet prevents any possible damage to the inner components and makes this reel long lasting.

### PERFORMANCE

MAX

**400 BAR**

OPERATING PRESSURE

**12/15M**

HOSE LENGTH



CLOSED GREASE HOSE REEL



### PACKAGING

CODE	WEIGHT		MM	PACKAGING		N.BOXES/ EUROPALLET	
	KG	LBS		PCS/PALLET	PCS/BOX		
<b>WITH HOSE</b>							
HC40123800A	20	44	550X200X540		1	12	20
<b>WITHOUT HOSE</b>							
HNC40151400	14,5	32	550X200X540		1	12	20



FILTRATION



FLUID MONITORING



TANK MONITORING



HOSE REELS



ACCESSORIES



MERCHANDISE

INDEX



AIR



ANTIFREEZE



AdBlue®



BIODIESEL



DIESEL



FOOD



GASOLINE



GREASE



KEROSENE



OIL



WATER



WINDSCREEN

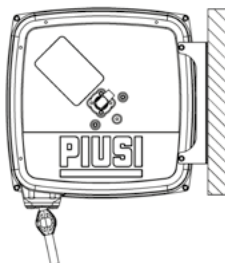
### INSTALLATION

Different ways to install PIUSI's hose reels: they can be easily placed wherever you need them without any problem about functionality and safety. PIUSI's products are without a doubt designed to support your work in any condition.

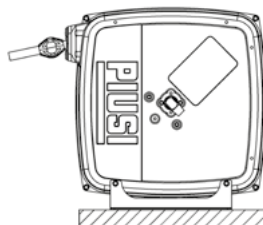
#### ROOF INSTALLATION



#### WALL INSTALLATION



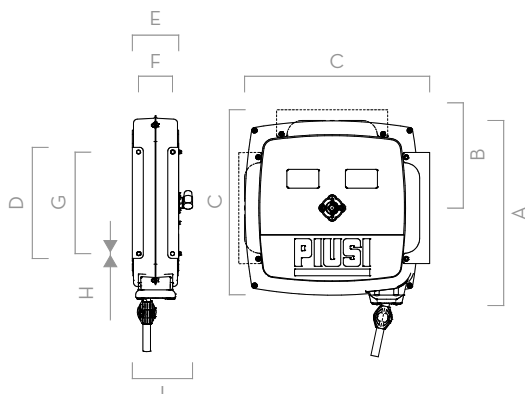
#### GROUND INSTALLATION



### DIMENSIONS

MODEL CLOSE HOSE REEL

A	516
B	259
C	491
D	295
E	123
F	90
G	270
H	10,5
I	160



Dimensions expressed in millimeters

### IN THE BOX

- GREASE HOSE REEL
- WALL MOUNT BRACKET
- INSTRUCTION MANUAL

### DETAILS



4 ROLLS HOSE GUIDE



FIX SUPPORT PLATE



SWIVEL

### MATERIALS

- BODY: CAST IRON
- HUB: SYNTHETIC STEEL
- TUBE: RUBBER

### TECHNICAL DATA

CODE	DESCRIPTION	FLUIDS TYPE	HOSE	MAX WORKING PRESSURE	PRESSURE DROP	INLET WITH SWIVEL	OUTLET HOSETAIL	HOSE MAX LENGHT BOUND	HOSE LENGHT
			BSP	BAR	BAR	BSP	BSP	M	M
<b>WITH HOSE</b>									
HC40123800A	REEL CLOSED 40OB W/3/8" 12MT GREASE	G	3/8"	400	50@600 GR/MIN**	3/8" MALE	3/8" MALE	-	12
<b>WITHOUT HOSE</b>									
HNC40151400	REEL CLOSED 40OB W/O 1/4" MAX 15M GREASE	G	1/4"	400	-	1/4" FEMALE	1/4" FEMALE	15	-

(\*) PRESSURE DROP FOR GREASE NLGI 2.5 (\*\*) PRESSURE DROP FOR GREASE NLGI 2

## GREASE HOSE REEL

CLOSED HOSE REEL