



CAR FILLING



FUEL MANAGEMENT SYSTEMS



KITS



PUMPS



METERS



METERED NOZZLES

# MP 140

## FEATURES

- IN/OUT INTERCHANGEABLE
- BUILT-IN DIFFUSER
- SUITABLE FOR SUBMERSIBLE INSTALLATION
- HEAVY DUTY
- EASY TO FIT
- STURDY DESIGN

The PIUSI MP 140 is a long-lasting pneumatic diaphragm pump suitable for transferring AdBlue®. The small size of this pump allows a wide range of installations, even in severe duty conditions.

### PERFORMANCE

UP TO <b>100 L/MIN</b>	MAX CAPACITY <b>6M</b>
FLOW RATE	SELF PRIMING
MAX <b>7 BAR</b> AIR SUPPLY PRESSURE	MAX <b>Ø 4MM</b> PASSING SOLID



MP 140



### PACKAGING

CODE	WEIGHT		PACKAGING		
	KG	LBS	MM	INCH	PCS/BOX
FO0208P20	5	11	240X380X350	9.4X15X13.8	1



NOZZLES



FILTRATION



TANK MONITORING



HOSE REEL



ACCESSORIES



MERCHANDISE



AIR



ANTIFREEZE



AdBlue®



BIODIESEL



DIESEL



FOOD



GASOLINE



GREASE



KEROSENE



OIL

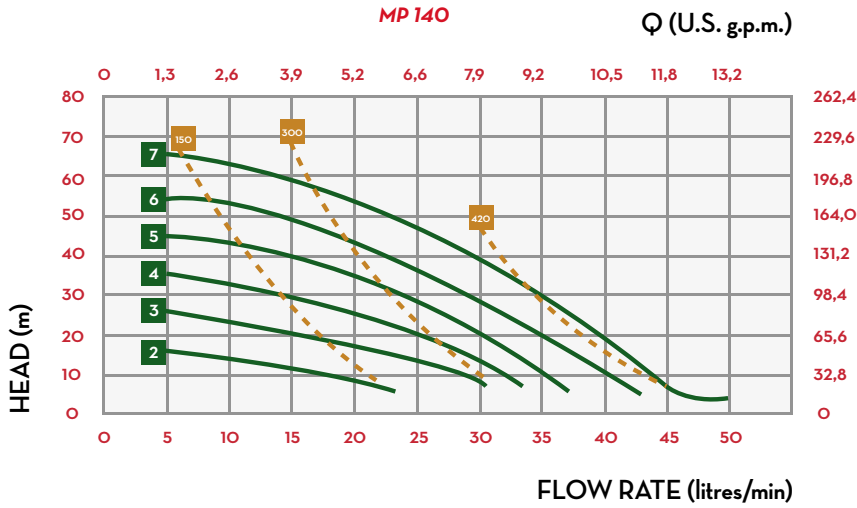


WATER



WINDSCREEN

## CHART



## IN THE BOX

- MP 140 PUMP
- INSTRUCTION MANUAL

## DETAILS



HEAVY DUTY MATERIALS

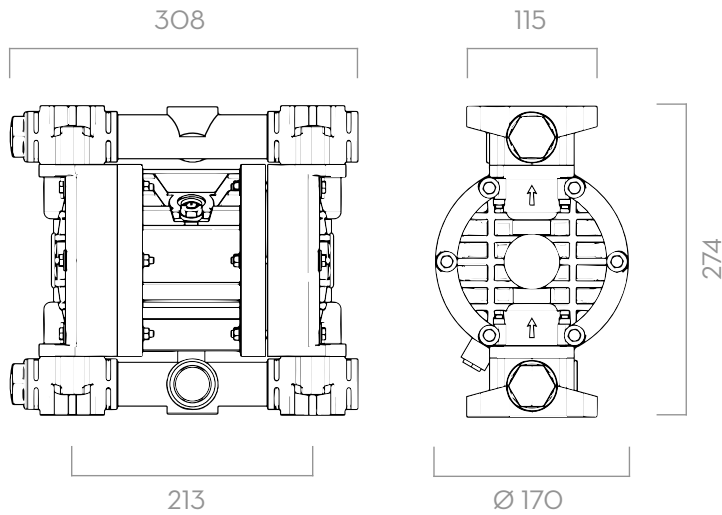


TECHNOPOLYMER BODY



STURDY DESIGN

## DIMENSIONS



Dimensions expressed in millimeters

## MATERIALS

- BODY: TECHNOPOLYMER
- SIDE PARTS AND COLLECTORS: POLYPROPYLENE
- DIAPHRAGM: EPDM

## TECHNICAL DATA

CODE	DESCRIPTION	FLUIDS TYPE	PUMP BODY	IN / OUT	FLOW RATE L/MIN	MEMBRANE TYPE	DIAPHRAGM AIR SIDE/ FLUID SIDE	BALLS	BALL SEATS*	O-RING*	INTAKE / DELIVERY CONNECTION	AIR CONNECTION	MAX SELF-PRIMING CAPACITY	MAX HEAD**	MAX AIR SUPPLY PRESSURE	MAX Ø OF PASSING SOLID
													M	M	BAR	MM
FOO208P20	PIUSI MP 140		POLYPROPYLENE	1" G	100	DOUBLE	PTFE/ HYTREL	PTFE	POLYPROPYLENE	PTFE	G 1" F	G 3/8" F	6	70	7	4

(\*) ON REQUEST WE CAN PROVIDE MEMBRANES, BALLS, BALL SEATS AND O-RINGS IN DIFFERENT MATERIALS.  
 (\*\*) THE VALUE DEPENDS ON THE CONFIGURATION OF THE PUMP

# MP 140