

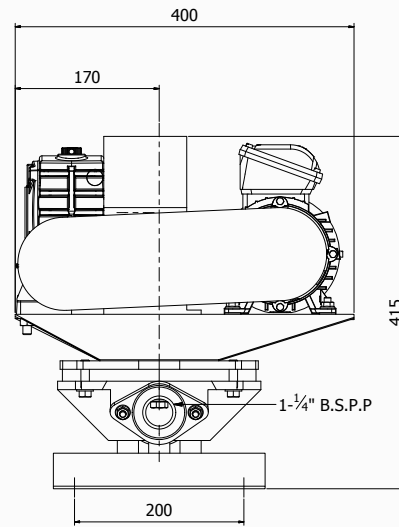
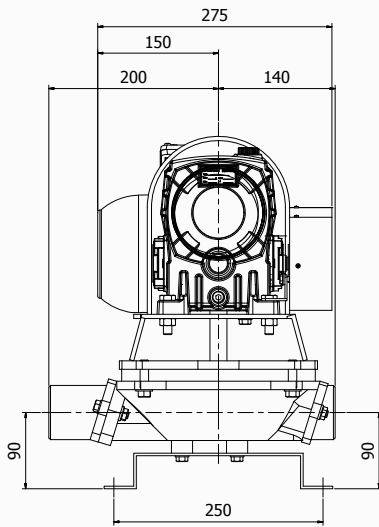
DIAPHRAGM PUMPS

KDP 32



KDP 32

Model No.	KDP32
Connections	32mm(1 1/4")
Normal flow rate	33 l/min
Suction lift	7.5m
Discharge head	6.0m
Solid size	20mm
Motor size	0.37 kW
Weight	30kg



PART NO.	MODEL NO.	DESCRIPTION	TYPE	AMPS	KW
660012	KDB32-200	KD Pump with no motor (Bare)	Bare	N/A	N/A
660072	KDS32-200	KD Pump with 240 Volt Motor	240 Volt	2.8	0.37kW
660108	KDT32-200	KD Pump with 415 Volt Motor	415 Volt	1.2	0.37kW
660150	KDTE32-200	KD Pump with 415 Volt Ex(e) Motor	415 Volt Ex E	1.2	0.37kW
660180	KDTD32-200	KD Pump with 415 Volt Ex(d) Motor	415 Volt Ex D	1.2	0.37kW