

# SCORPION™ G2FI 350

**5075**  
PSI

**25**  
L/PM

**HONDA iGX800**  
EFI PETROL  
ENGINE TYPE  
POWERED by HONDA.

**GEARBOX**  
1450RPM  
DRIVE

**COLD**  
WATER  
OUTPUT



## HERO INNOVATIONS

**PEXO™**  
Stainless Steel Exoskeleton

**JWPP™**  
Jetwave Italian Premium Pump

**CC™**  
Centralised Control

**MC™**  
Multi Configuration

**AST™**  
Auto Speed Technology



**CLASS B** AS/NZS 4233  
WATER JETTER  
1170 CERTIFICATION IS REQUIRED FOR OPERATORS

## APPLICATIONS

- Plumbers
- Council & Municipality
- Drain Cleaning
- Water Authorities



## STANDOUT FEATURES

**JW® Enhanced** Italian triplex plunger pump running at 1450RPM delivers more performance and longer life.

Seamless & sealed 40L on-board oversized water bypass tank with low level cut out, for enhanced industrial design, functionality and user experience.

Intelligent V-Twin EFI Honda™ iGX800 industrial series engine with automatic RPM's & choke sensor & electronic fuel injection with electric key start and digital engine hour meter.

Battery isolator.

**Jetwave Safety System™ (JSS)** thermal and safety valve to prevent overheating in excessive bypass and over pressurisation.

Emergency stop.

## STANDARD EQUIPMENT



Spray down gun & lance.



60m Hose reel with 60m of 3/8" thermoplastic jetting hose & ball valve.

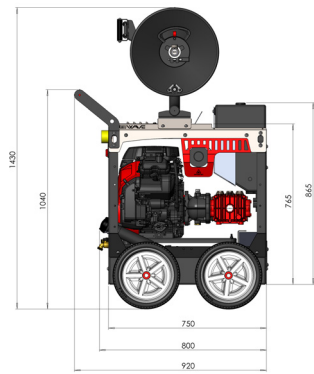


IP68 Professional nozzle kit



Safety whip restraint

## DIMENSIONS (MM)



MULTIPLE CONFIGURATIONS AVAILABLE



## TECHNICAL DATA 0:00

## SCORPION™ E2FI<sub>350</sub>

Product Code	HJ5000-25PHFI
Pressure/ Flow	5075 PSI (350 BAR) / 25 L/PM
Max Water Inlet Temp	60°C
Class (ASNZS: 4223)	B (8,750 Bar/Litres)
Usage Frequency	Professional - 4 Hours Daily
Nozzle Size	06
Frame Structure	CNC Modular galvanised steel chassis plus satin powder coat finish and <b>stainless steel cover</b>

## MOTOR FEATURES

Engine / Power	Honda™ iGX800 Electric Key Start (air cooled w/auto speed tech) 25 HP / 800cc
Fuel Type / Capacity / Protection	Petrol / 25L (w/level gauge) / Low Oil Shutdown

## HYDRAULIC FEATURES

Pump / Head / Pistons	JW® Italian Triplex Plunger / Brass (Nickle Plated) / Ceramic
Motor Pump Coupling / Pump RPM	Gearbox Drive / 1450RPM
Unloader Valve	Independent
Safety Valve	Yes

## DIMENSIONS & WEIGHT

Machine Dimensions / Weight	Skid: 800mm(L) x 550mm(W) x 1390mm(H) / 195KG
-----------------------------	---

## WARRANTYS

Unit / Pump Warranty*	2 Years / 3 Years
Engine Warranty*	3 Years

## OPTIONAL ACCESSORIES

Remote Mini Reel w/60m 1/4" Hose	PW134-RRCMPL/HOP4
Remote Mini Reel Locking Plate	90012HRH-LP
Forward Root Cutting Nozzle	C43RS
15m Viperflex Whip Hose	HOP3VFX15-ASSY
Jetting Safety Plate	JSP
Class B Double Action Foot Valve	55403-DA

## OPTIONAL UPGRADES

Van Alloy Drip Tray + Exhaust Mod	JWA432
4 Wheel Trolley Kit	JWA407A
Front Double Stack Kit	JWA-429C
Top Double Stack Kit	JWA-430C
Low Pressure Inlet Hose Reel w/30m hose	1065CMPLLP
Hose Reel Roller Guide System HGS	1067-GUIDEASSY
Remote Start/Stop	00030

The manufacturer reserves the right to modify design features and technical facts without notice, due to our principals of continuous improvement.

\*Coverage against defects in material and workmanship (refer to Jetwave's and component partners T&Cs).

V2.2 08/21