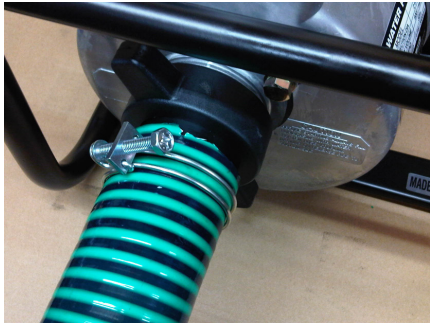


Condor FT trash pump instructions

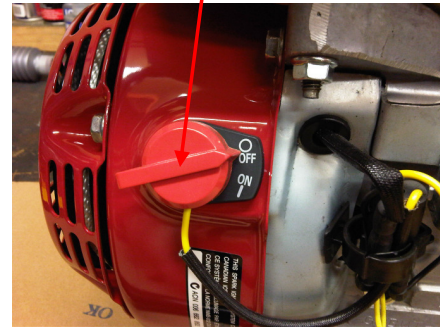
Connect hoses and ensure all hose clamps are tight

1



Turn motor on

5



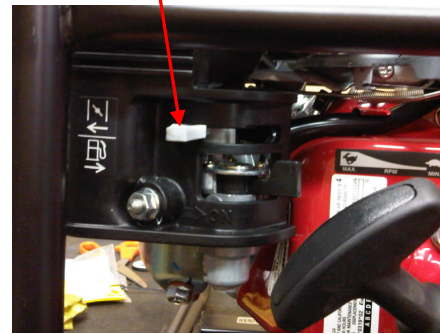
Prime pump by filling pump casing with water

2



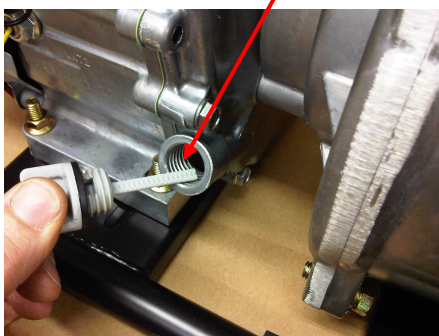
Turn choke on –after starting turn off

6



Fill engine with oil to correct level

3



After use drain water from casing

7



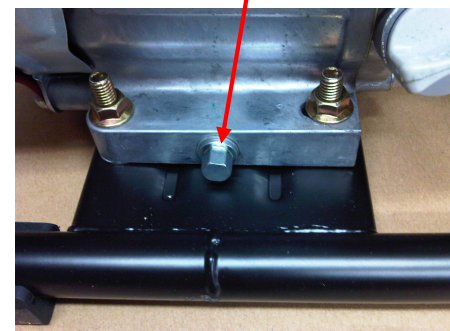
Fill tank with petrol—do not overfill

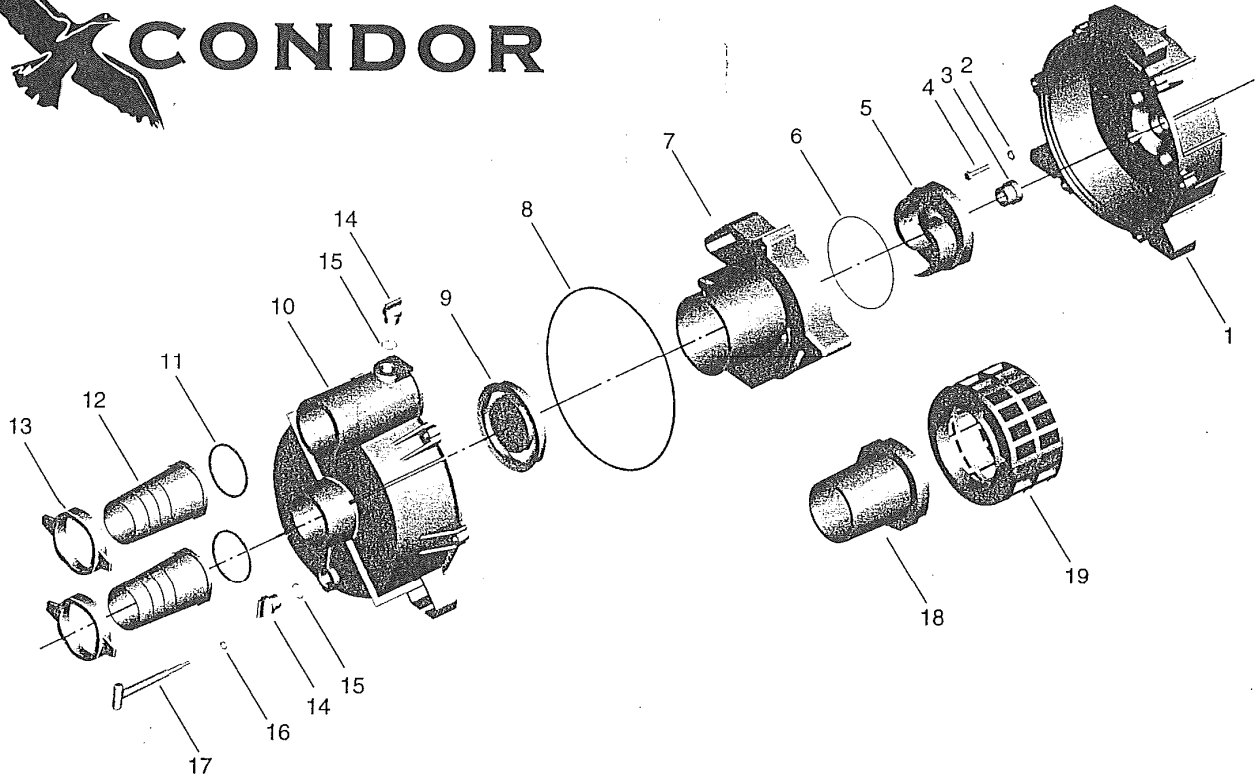
4



Change oil and clean air filter every 50 hours running

8





Detailed list of parts for 3" trash pump:(Model:80TP)

| NO | CODE | NAME | QTY | REMARKS |
|----|----------------|---------------------|-----|---------|
| 1 | TP-80TP-1 | Pump cover | 1 | |
| 2 | TP-GB5783-86 | Spring washer | 4 | |
| 3 | TP-80TP-03 | Machinery seal | 1 | |
| 4 | TP-GB5782-86 | Bolt M8 x 35 | 4 | |
| 5 | TP-80TP-05 | Water pump impeller | 1 | |
| 6 | TP-GB3452.1-82 | Rubber packing ring | 1 | |
| 7 | TP-80TP-07 | Volute casing | 1 | |
| 8 | TP-GB3452.1-82 | O-riang | 1 | |
| 9 | TP-80TP-09 | Check Valve | 1 | |
| 10 | TP-80TP-10 | Housing of pump | 1 | |
| 11 | TP-80TP-11 | Rubber packing | 2 | |
| 12 | TP-80TP-12 | Pipe joint | 2 | |
| 13 | TP-80TP-13 | Joint grip | 2 | |
| 14 | TP-80TP-14 | Plug | 2 | |
| 15 | TP-GB3452.1-82 | Plug packing | 2 | |
| 16 | TP-GB3452.1-82 | O-ring | 6 | |
| 17 | TP-GB5787-86 | "T" Bolt 1/4-20UNF | 6 | |
| 18 | TP-80TP-18 | Connecting pipe | 1 | |
| 19 | TP-80TP-19 | Filter net | 1 | |