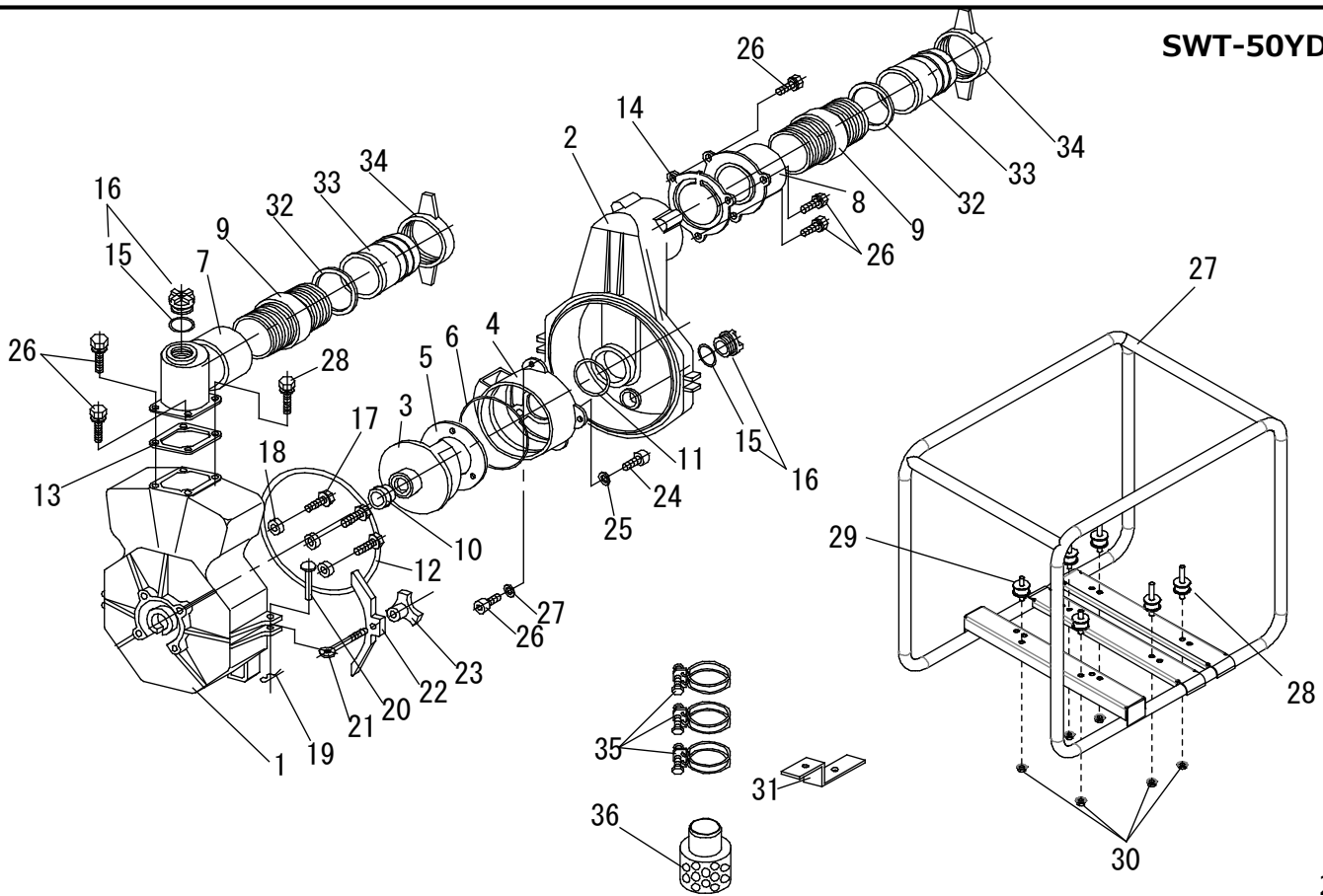


SWT-50YD



2R-07807

REF No.	Parts No.	Parts name	Q'ty	Price	Remarks
	ENGINE	YANMAR L48N6	1		
1	200 200 320	CASING	1		SWT-50
2	200 200 330	CASING COVER	1		SWT-50
3	200 210 240	IMPELLER	1		
4	200 210 070	INNER CASING	1		
5	200 300 210	LINER	1		SWT-50
6	200 800 140	O-RING	1		S-140
7	200 200 610	BEND	1		IN-LOW-NPSM2
8	200 200 540	VALVE CASE	1		IN-NPSM2
9	200 300 410	FITTING PIPE	2		2B NPT-PF
10	201 100 051	MECHANICAL SEAL	1		2.3SIC
11	200 800 100	O-RING	1		G-55
12	200 800 050	O-RING	1		G-210
13	200 900 170	PACKING,BEND	1		
14	200 900 280	CHECK VALVE	1		
15	200 800 020	O-RING	2		P-24
16	200 500 040	PLUG ASSY	2		
17	203 000 860	FLANGE BOLT	4		M8x45
18	203 100 180	AL WASHER	4		8.2-17-3.0
19	203 300 030	SNAP PIN	2		φ10
20	203 300 010	RIVET	2		φ10
21	203 000 490	COVER BOLT	2		M12
22	200 210 430	CASING COVER HOLDER	2		
23	200 210 450	KNOB	2		M12
24	203 000 350	HEX.SOCKET HEAD BOLT	5		M6x16SUS

