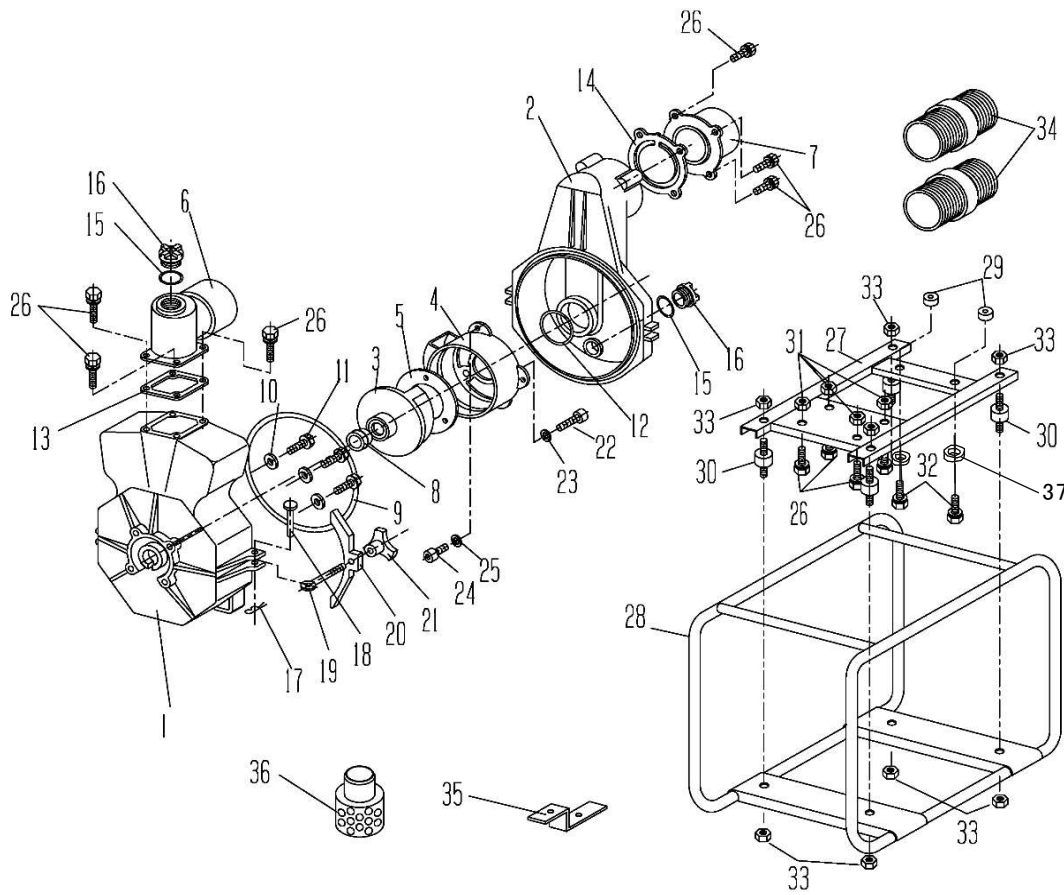


**SWT-100YD**



2R-07184

REF No.	Parts No.	Parts name	Q'ty	Price	Remarks
	ENGINE	YANMMAR L100	1	-	
1	200 200 350	CASING	1		SWT100
2	200 200 340	CASING COVER	1		SWT100
3	200 210 210	IMPELLER	1		
4	200 210 050	INNER CASING	1		
5	200 300 230	LINER	1		
6	200 200 450	BEND	1		IN-NPSM4
7	200 200 572	VALVE CASE	1		IN-NPSM4
8	201 100 061	MECHANICAL SEAL	1		3',4'T
9	200 800 060	O-RING	1		G-240
10	203 100 200	AL WASHER	4		
11	203 000 860	FLANGE BOLT	4		M8x45
12	200 800 120	O-RING	1		G-90
13	200 900 210	PACKING,BEND	1		
14	200 900 300	CHECK VALVE	1		
15	200 800 220	O-RING	2		AS328
16	200 200 700	PLUG	2		AL
17	203 300 040	SNAP PIN	2		φ12
18	203 300 020	RIVET	2		φ12
19	203 000 500	COVER BOLT	2		M16
20	200 210 420	CASING COVER HOLDER	2		
21	200 210 440	KNOB	2		M16
22	203 000 380	HEX.SOCKET HEAD BOLT	3		M5x14SUS
23	203 100 100	SPRING WASHER	3		M5SUS
24	203 000 370	HEX.SOCKET HEAD BOLT	3		M8x30SUS

