



WATER • TECHNOLOGY

### Spare parts list

Revision number

Page  
1

Customer

Supplier

Company name  
Dept.  
Editor  
Phone number  
Fax no.  
E-mail

Model - Revision @ Code\_Document version

**Attention: check the correspondence with the revision of your product**

Pos.no

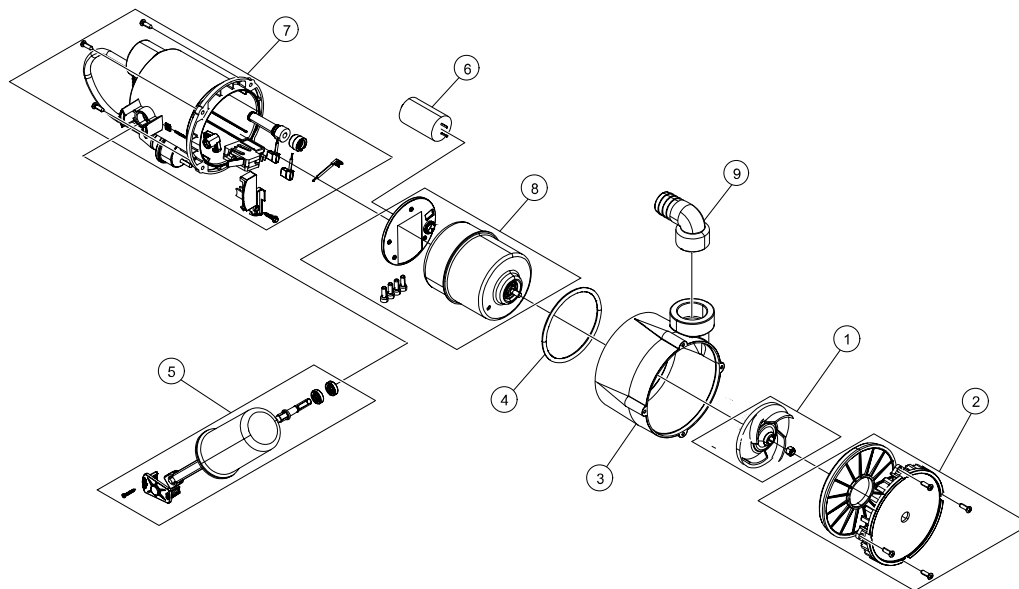
Description

Item no.

Qty.

UP / EUR

NOVA 300 MA 220-240 05H50 AUS - N.6.- - @ 103000444\_a,c



1	(SP) IMPELLER NOVA 200-300 50Hz	SP60117221	1	Price on req.
2	(DISCONTINUED)(SP)KIT - SUCTION RING NOVA 300 (R00008623)	SP164660160	1	Price on req.
3	(SP) PUMP BODY NOVA180->300	SP161360021	1	Price on req.
4	(SP) MOTOR/PUMP OR	SPP1200007	1	Price on req.
5	KIT RICAMBI - GALLEGGIANTE SERIE NOVA	SP60150460	1	Price on req.
6	&(SP)CAPAC. 8 UFX450V*M8*D.40X75MAX.COND.7 MICR(R00008732)	SP60114545	1	Price on req.
7	(SP) COVER NOVA 300A 05H05AUS'04	SP140667210	1	Price on req.
8	KIT RICAMBI - GRP.MOT. H40 V230-50Hz S/C AISI304 OLIO	SP60112836	1	Price on req.
9	(SP)HOSE NOVA SERIES	SP167360010	1	Price on req.

Project

Creation software

Spaix® 5-2022.1 - 2022/05/31 (E

Issue date

2022-06-20

Last update

2022-06-20