

Receiver

 Society
 Reference
 Address
 Phone
 Fax
 E-mail

From

 -
 -
 -

Item n° :

60168884

Model :

K 12/200 T IE2

Pump data

 MEI \geq 0,70

Pressure rating : 6 bar (600 kPa)

Min. fluid temperature : -10 °C

Max. fluid temperature : 50 °C

Max. Ambient temperature : 40 °C

Requested data

 Flow : 0.00 m³/h

Head : 0.00 m

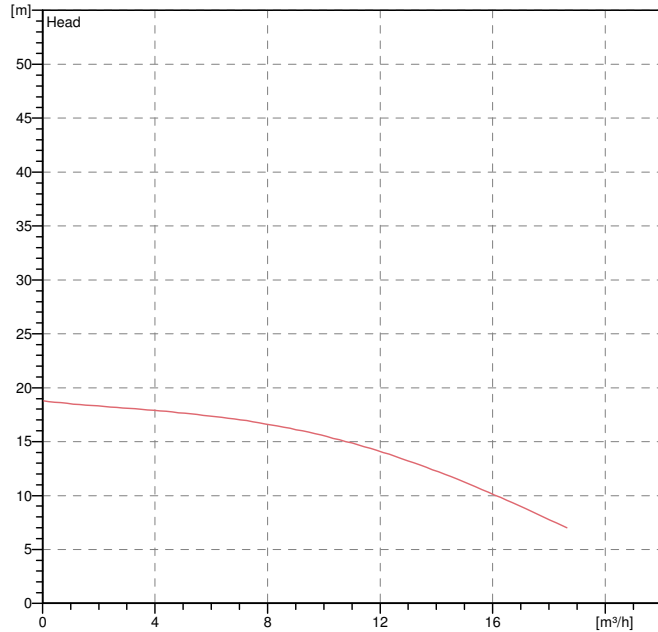
Fluid : Water

Fluid Temperature : 20 °C

 Density : 62.315 lb/ft³

 Kinematic viscosity : 1.0769E-5 ft²/s

Vapor pressure : 2.20 kPa

Curve tolerance according to ISO 9906

Hydraulic data (duty point)

Flow :

Head :

NPSH :

Shaft power P2 :

Efficiency :

Materials

Pump body Cast iron 200 UNI ISO 185

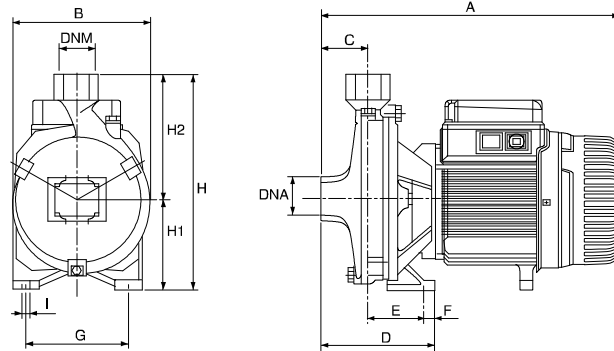
Support Cast iron 200 UNI ISO 185

Impeller Technopolymer A

Mechanical seal Carbon/Ceramic

OR ring NBR Rubber

Shaft with rotor AISI 416 X12 CrS 13 UNI 6900/71


Weight : 30.203 lb

Motor data

Motor brand : DAB

Nominal power P2 : 1.0058 hp

Rated speed : 2860 rpm

Rated voltage : 3~ 230 V / 400 V 50 Hz

Nominal current : 3.6 / 2.1 A

Degree of protection : IP 44

Dimensions in mm

A	325	I	9.5
B	173		
C	45		
D	118		
DNA	1"1/2 G-M		
DNM	1"1/2 G-M		
E	58		
F	15		
G	110		
H	218		
H1	85		
H2	125		

Pump connection

Suction side : 1 " 1/2 G-M 6 bar (600 kPa)

Discharge side : 1 " 1/2 G-M 6 bar (600 kPa)



WATER • TECHNOLOGY

PERFORMANCE CURVES

2016-08-19

Page 2 / 3

DAB PUMPS S.p.A.
Via Marco Polo, 14 - 35035 Mestrino (PD), Italy
Tel. +39 049 5125000 - Fax +39 049 5125950
www.dabpumps.com

Receiver

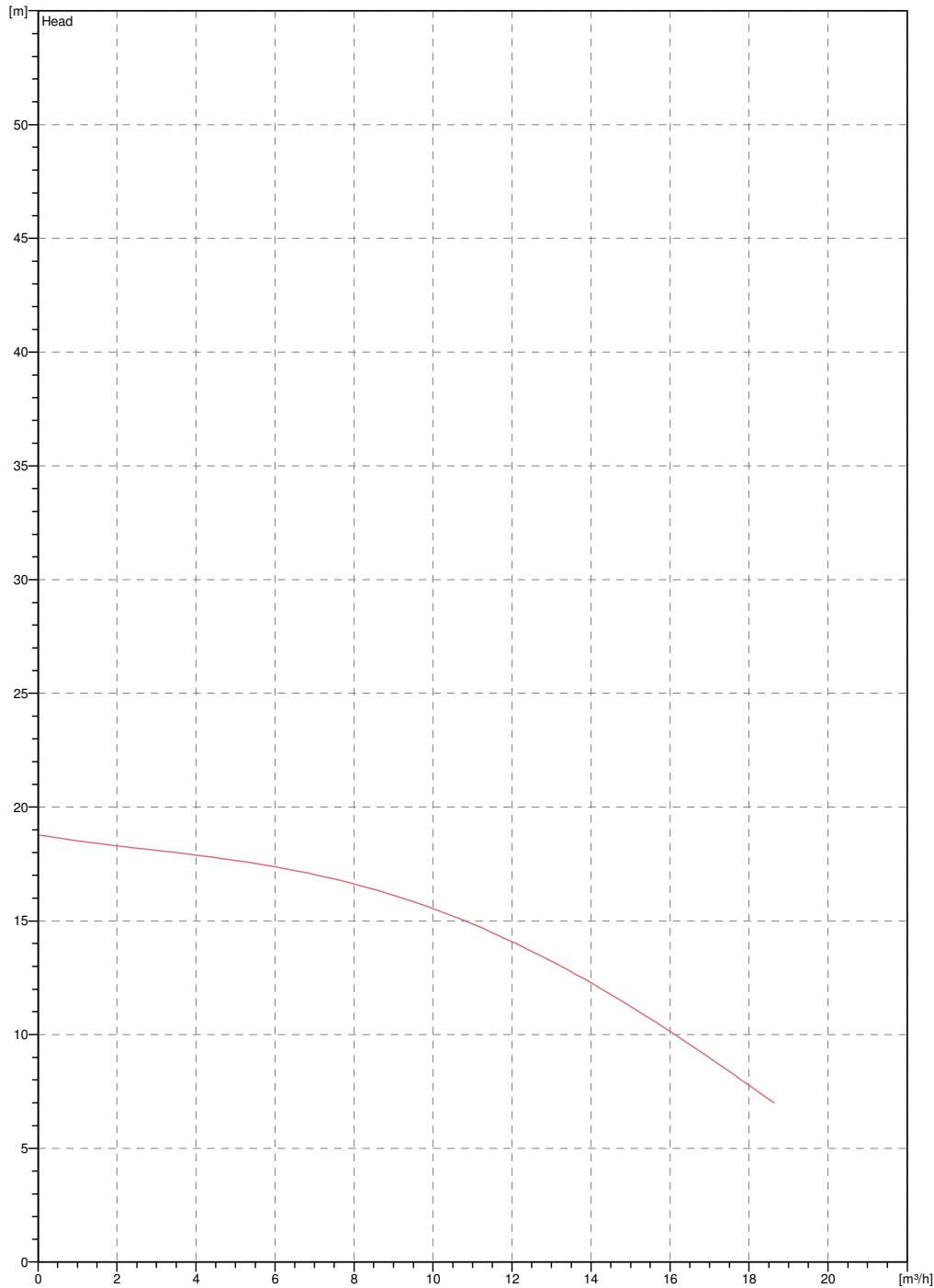
From

Society
Reference
Address
Phone
Fax
E-mail

-
-
-

K 12/200 T IE2

Curve tolerance according to ISO 9906



Hydraulic data (duty point)

Suction side :
1 " 1/2 G-M
6 bar (600 kPa)

Discharge side :
1 " 1/2 G-M
6 bar (600 kPa)

Flow :
0 m³/h

Head :
0 m

Rated speed :
2860 rpm

Project

Project ID

Created by

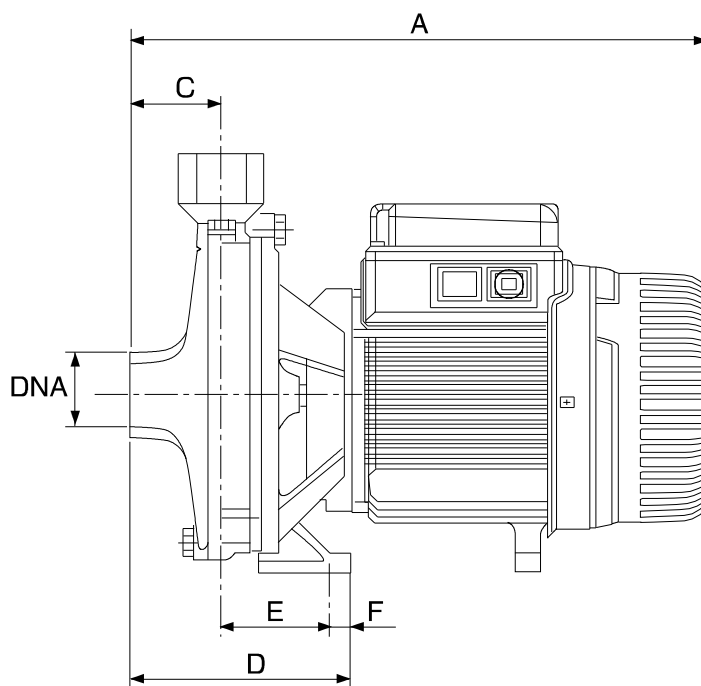
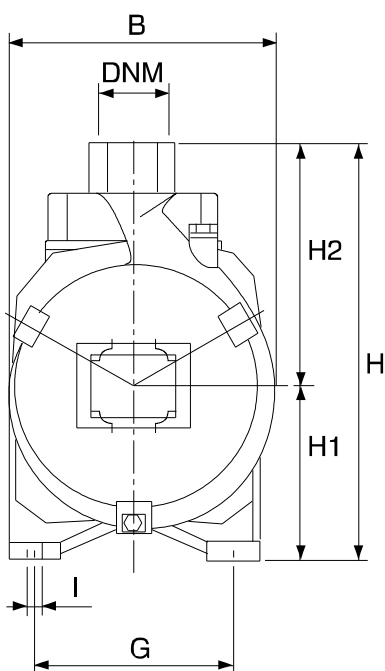
Created on
2016-08-19

Receiver

From

 Society
 Reference
 Address
 Phone
 Fax
 E-mail

K 12/200 T IE2


Dimensions in mm

1	A	325	H1	85		
2	B	173	H2	125		
3	C	45	I	9.5		
4	D	118				
5	DNA	1" 1/2 G-M				
6	DNM	1" 1/2 G-M				
7	E	58				
8	F	15				
9	G	110				
10	H	218				

Pump connection

Suction
 1" 1/2 G-M
 6 bar (600 kPa)

Discharge
 1" 1/2 G-M
 6 bar (600 kPa)

Project

Project ID

Created by

Created on

2016-08-19