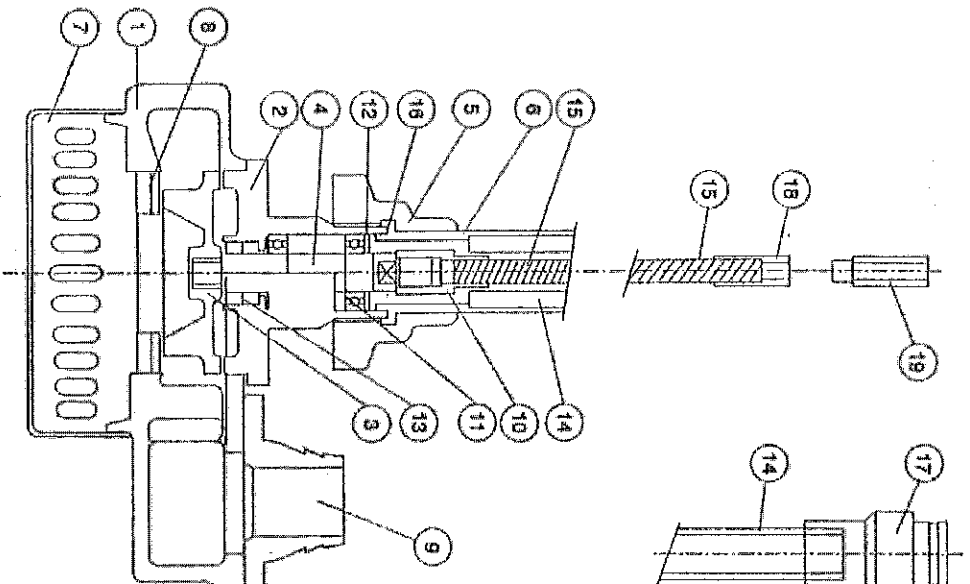
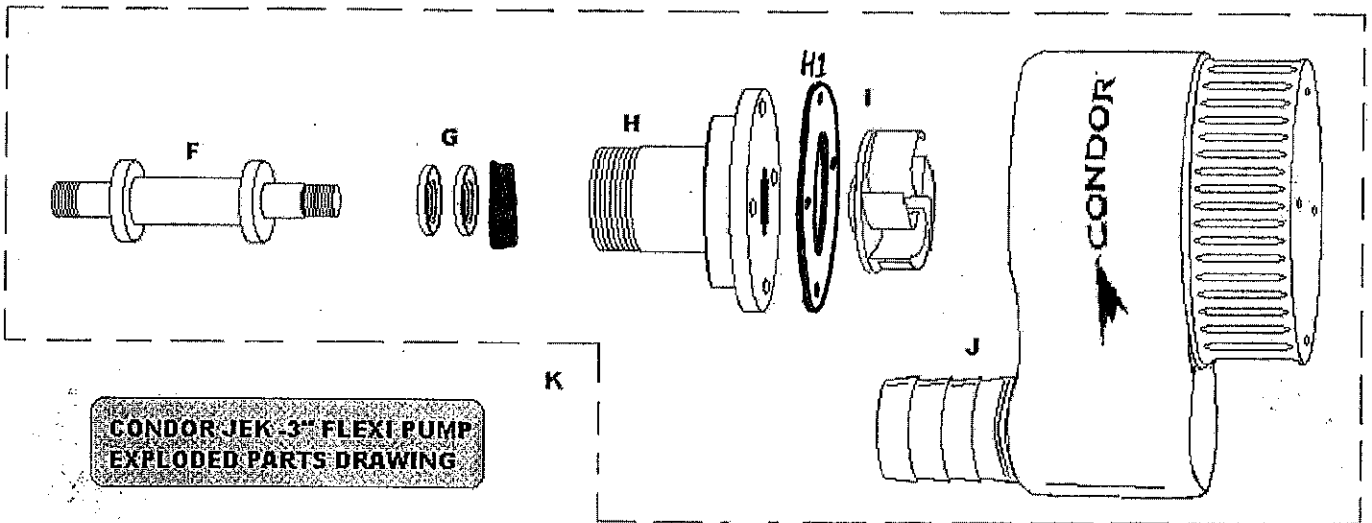
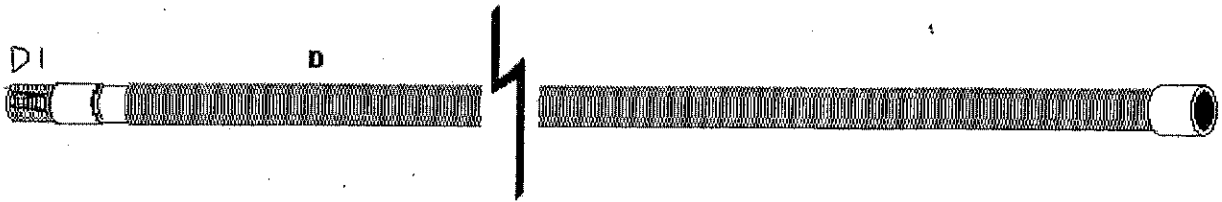
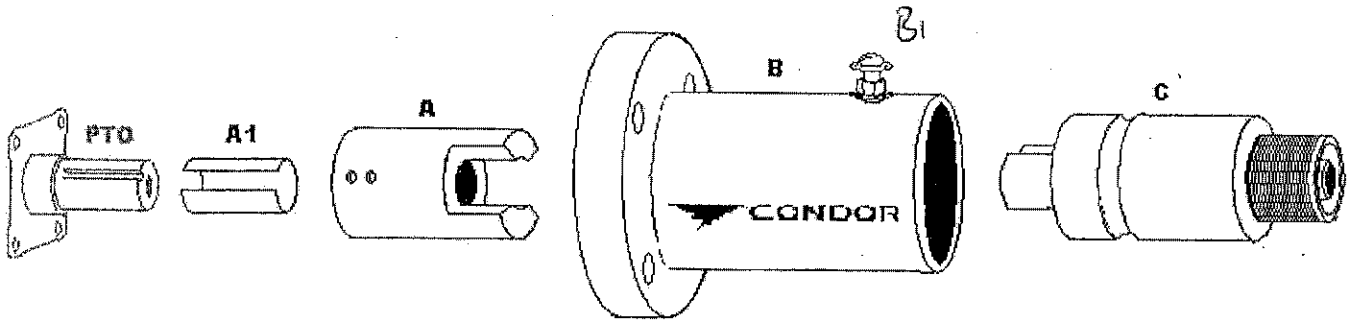


## PARTS LIST OF JIP-3S

Part No.	Part Name	QTY
1	Pump Body (Casing)	1
2	Bearing Case	1
3	Impeller	1
4	Impeller Shaft	1
5	Pump Nut	1
6	Hose Coupling 'A'	1
7	Strainer	1
8	Seat Plate	1
9	Outlet (D/A)	1
10	Cable Joint 'A'	1
11	Ball Bearing (6004)	2
12	Snap Ring	1
13	Oil Seal (30/32)	2
14	Flexible Hose	1
15	Flexible Shaft ( $\phi 13$ )	1
16	O-ring	1
17	Hose Coupling 'B'	1
18	Cable Joint 'B'	1
19	Hex Key	1





**CONDOR JEK-3" FLEXI PUMP  
EXPLODED PARTS DRAWING**