

BIANCO[®] PUMPZ

BIANCO SUB450 - 810761



1. Introduction






Thanks for choosing the Bianco SUB450, a light duty, occasional use pump with an in-built float suitable for use pumping clear water without solids.

With its internal float mechanism and top outlet, the SUB450 is a great choice for use in small or confined pump chambers (200x 200mm).

The SUB450 is a 'puddle sucker' type. Once pumping, it can pump down to less than 5mm and so is ideal for basement or garage drainage applications

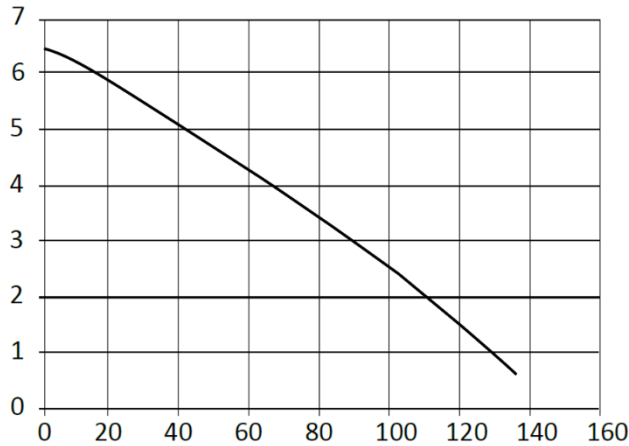
The SUB450 is an uncomplicated electrical appliance, and the purpose of this manual is both to ensure user safety and to prolong the lifespan of the product by highlighting 'best practice'.

Benefits	Features	Cautions
<ul style="list-style-type: none"> • 'Puddle sucker' with internal float • Light and compact - easy to use • Suitable for use in confined areas where a flexible float would not be practical 	<ul style="list-style-type: none"> • Quality pump materials and construction to ensure reliable operation • Automatic On/Off OR Manual Operation • Able to pump down to very shallow levels 	<ul style="list-style-type: none"> • Not intended for submersion greater than 3m • Not intended for continuous operation such as water features or fountains • Not suitable for potable water applications • Not for use with biological wastewaters

	Warning - Electrical safety
	Warning – Potential consequences of use outside of intended application(s). Includes environmental condition warnings.
	Mandatory warning
	Warning to disconnect power
	Read carefully

Technical Data

H (m)








NEVER use the SUB450 to pump:

- Corrosive, easily combustible, aggressive, or explosive liquids such as petroleum products
- Potable water including water used in the preparation of food
- Biological wastewaters
- Saltwater
- Water with high sand or solids content.

Q (l/m)

RATED POWER (W)	450W	RATED VOLTAGE	220 – 240V 50Hz
MAX. FLOW [LPM]	135 lpm	RATED CURRENT	1.51 Amps
MAX. HEAD [M]	6.3m	POWER CABLE LENGTH	10m H07RNF
WORKING TEMPERATURE	<40°C	PROTECTION CLASS	IPX8
LIQUID TEMPERATURE	3 - 35°C	IMPELLERS	Single impeller
MAX. IMMERSION DEPTH	3m	HYDRAULIC BODY and INLET STRAINER	(20%) Glass reinforced Polypropylene
MAX. DIA. OF PARTICLE	<1mm	OUTLET	1 ¼" BSPM
MOTOR DUTY	S1 Continuous	SEALS	Lip Seal - NBR
MOTOR PROTECTION LEVEL	Class B	AUTOMATIC FUNCTION	Internal float OR Manual override
MOTOR PROTECTION	Auto resetting thermal overload	NET WEIGHT [KG]	Pump only 3.8kg
CAPACITOR	8UF +/-5%	PACKAGE DIMENSION	202 x 202 x 343mm
MOTOR SHAFT	Stainless steel		

Warnings

	Prior to starting installation or any maintenance the pump must be disconnected from the power supply and pressure relieved from the system including pump and associated pipework.
	Any changes or modifications, especially to the wiring, must be carried out by suitably qualified personnel.
	To avoid excessive thermal shock to the motor the pump should not start more than 20 times during any 1-hour period.
	This appliance is not intended for use by persons (including children) with reduced physical, sensory or mental capabilities, or lack of experience and knowledge, unless they have been given supervision or instruction concerning use of the appliance by a person responsible for their safety. Children should be supervised to ensure that they do not play with the appliance.
	Running the pump without water or allowing the pump to run dry will damage the seal voiding the warranty

Installation & Operating Instructions

The Bianco SUB450, a light duty, occasional use pump with an in-built float suitable for use pumping clear water without solids.



These pumps should never be used to pump flammable or corrosive fluids or to be used in an area than may have explosive atmospheres, such as in the presence of flammable liquids, gases or dust.

Avoid the use of adapter plugs. Unmodified plugs and matching sockets will reduce risk of electric shock. Do not use the pump if safety devices are damaged or unreliable. Never deactivate safety devices.



Take care with the power lead. Never use the lead for carrying, pulling or unplugging the pump and keep the lead away from heat, oil, sharp edges or moving parts. Damaged or entangled cords increase the risk of electric shock.

If it is necessary to use an extension cord, ensure it is suitable for outdoor use to reduce the risk of electric shock.



Overly long or lightly rated extension cords can create a voltage drop and shorten the working life of the pump

Maximum submergence 3m

If using flexible piping care to ensure there are no blockages or kinks. Avoid using discharge piping smaller than the outlet

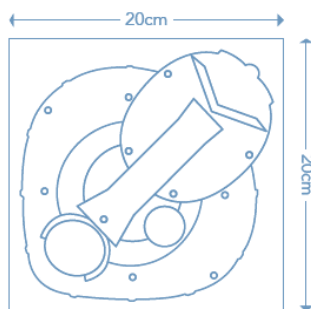
Once primed, the pump can start pumping in water as shallow as 2mm (manual operation)

Attach a lifting rope or chain to the handle
Avoid lifting using the power lead

Automatic or Manual operation

Take care, especially, in manual mode, that the pump doesn't run dry

Install on a level surface



The internal float in the Bianco SUB450 enables it to be used in very small chambers (200 x 200mm)

The SUB450 has a top outlet and the pumped water flowing past the motor keeps it cool. It is not necessary for the pump to be fully submerged. However, operating at very low flows may cause the motor to overheat and could lead to catastrophic failure.

The pump should be connected to (10 amp) power and a residual current device or RCD with a nominal trip current installed in compliance with the requirements of AS/NZ 3000.

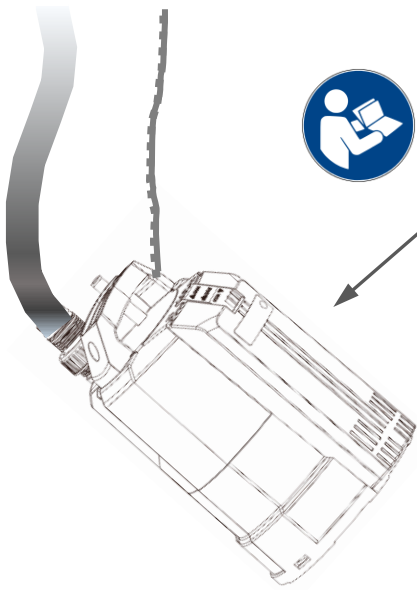


The pump has an automatic reset thermal overload protection built in. This thermal overload will switch the motor off in an overload/overtemperature situation and will automatically reset when the motor has cooled down.

Unplug the equipment from the mains before any interventions.



Getting Started



1. Connect a discharge pipe with a diameter at least equal to the diameter of the pump outlet
2. Lower the pump in the liquid to be transferred at a 45-degree angle to reduce the amount of air trapped in the pump body
If the pump rests on the bottom, make sure it is on a flat and stable surface
3. Make sure that no one is present in the liquid to be pumped
4. Plug the pump to the mains

- Clean the pump with clear water after use.
- Regularly remove dirt that may accumulate in the sump.
- Do not expose to frost.
- Avoid shocks, do not let the pump fall.

Configuration for extremely low suction levels



The SUB450 has been designed to allow for suction of liquid down to as low as 2mm by removing the foot plate.

By removing the foot plate the impeller is exposed.

It increases the risk of damage to the impeller and/or harm to the operator

Never manually handle the pump when it is connected to a power supply

**EXTREME CAUTION MUST
BE EXERCISED**



**The pump must not be disposed of with normal household waste
Dispose of in accordance with local environmental regulations.**

Trouble Shooting Guide

Symptom	Check	Action
The motor does not start and makes no noise.	Is the pump plugged in? Does the pump start when fully submerged?	Check your electrical supply Check that the float can move freely
Pump does not deliver.	Does the impeller rotate? Is it in good condition? Is the pump inlet free? The delivery head requested may exceed the performance of the pump or the discharge pipe is too narrow	Eliminate the reason for blocking Replace the impeller Clean the pump inlet Use the pump in accordance with its technical capabilities Increase the pipe diameter
The pump stops suddenly	Is there a sufficient water level? Has the pump run for a long time without stopping? (Thermal protection activated) Are you sure that the pump inlet is not obstructed? Is the temperature of the liquid less than 35°C?	Disconnect the pump from the mains and let it cool. Clean the pump inlet Observe the maximum allowable temperature
Flow decreases	Is the pump inlet clean? Is the impeller clean? Ensure the discharge pipe is not partially clogged?	Clean the area or areas in question (s)
Low flow or insufficient	Are you sure that the pump inlet is not obstructed? Is the impeller clean? Are you sure that the outlet pipe is not obstructed? Is the diameter of the discharge pipe enough?	Clean the zone (s) concerned and verify check valve, if applicable Connecting a pipe with a suitable diameter. Eliminate obstructions or kinks of the discharge pipe

Warranty

The pump warranty period is 1 year from the date of purchase.
Warranty applies to manufacturing or material defects.

The unit must always be handled properly according to instruction manual.
The unit must not have been modified or have been repaired by any person other than authorized service agents

Warranty no longer applies in the following cases:

- Non-compliance with the instructions especially non-protection against freezing, pumping sand, dry running, incorrect electrical connection
- After attempting to repair the unit
- Changes in the technical elements of the pump
- Use of replacement parts other than original.
- Damage / malicious (dropping or external damage)
- Inappropriate use (e.g., industrial, continuous operation), and in particular passage of hard and heavy particles (stones, or sticks), passage of an excessive amount of sand, salt water, water with high lime content, liquid with a high vegetable matter content i.e. grass or leaves
- Lack of maintenance or cleaning

A repair or exchange with a new product during the warranty period does not extend the original warranty period.

Any claim against warranty on a 'return to base' basis and must be accompanied by all accessories. Proof of purchase and proof of sale will be required along with a full and clear explanation of the issue or observed symptoms/behaviours. Installation photos will expedite the process.

Please always refer to our website for further technical information & new product innovations

Disclaimer: Every effort has been made to publish the correct information in this manual.
No responsibility will be taken for errors, omissions or changes in product specifications.