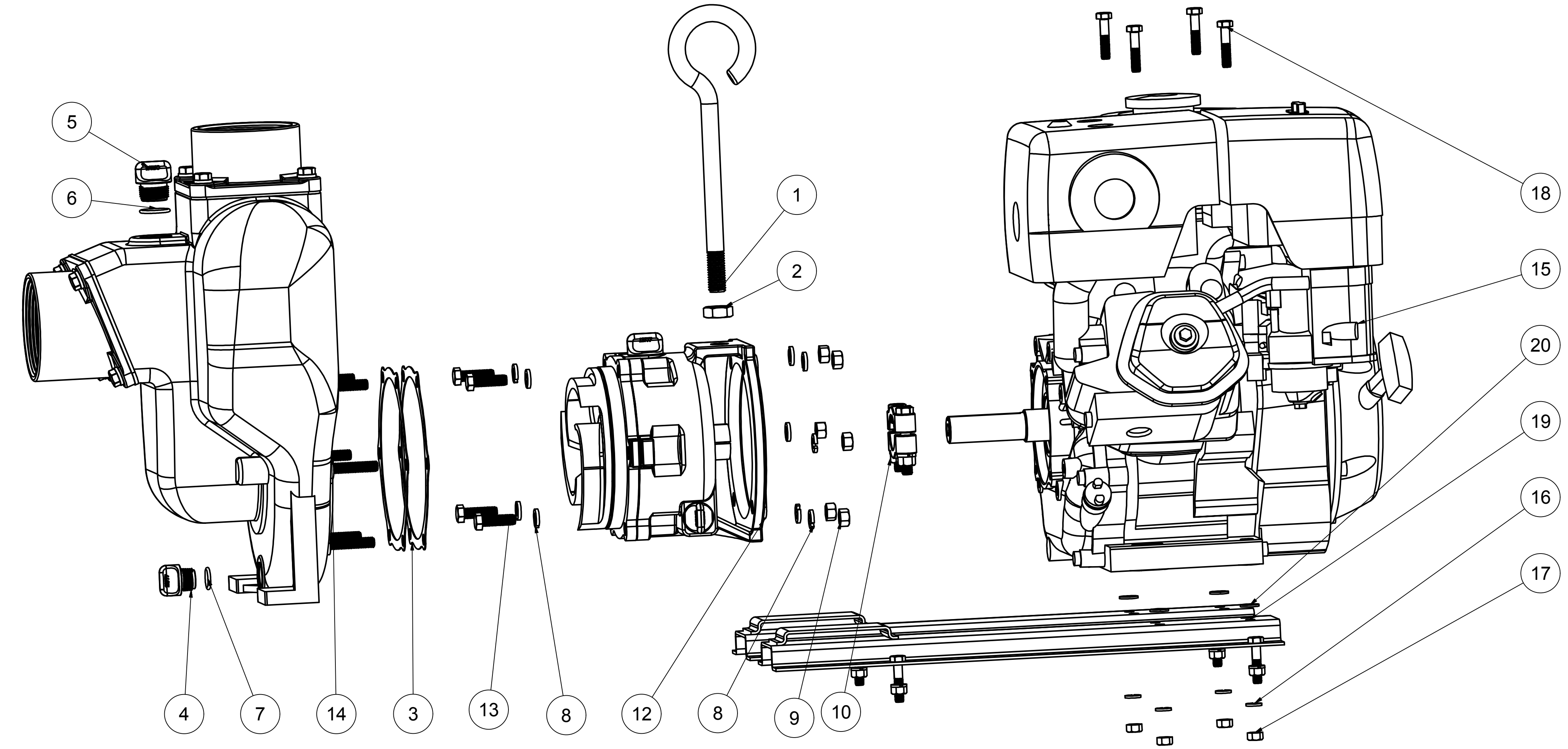
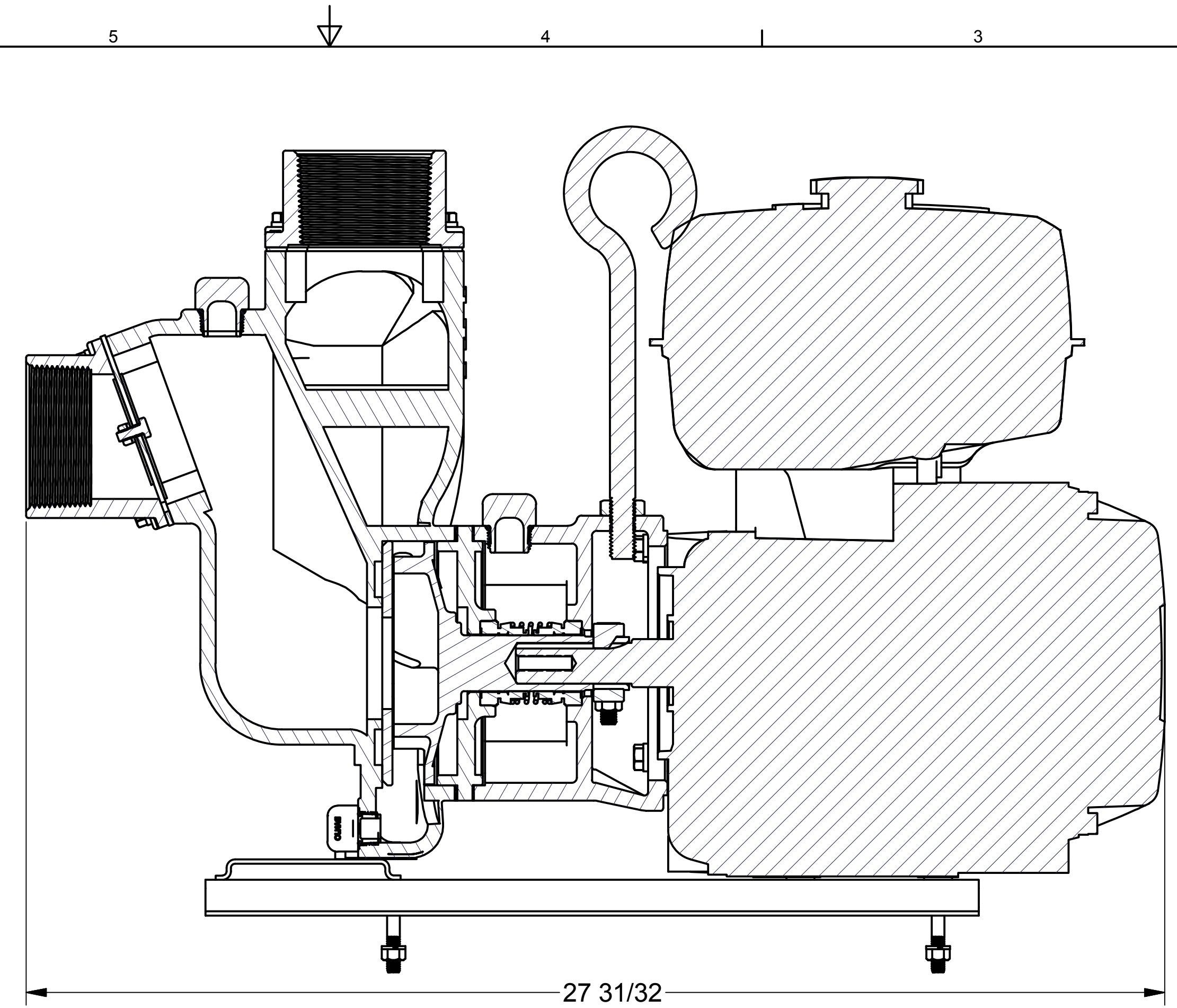
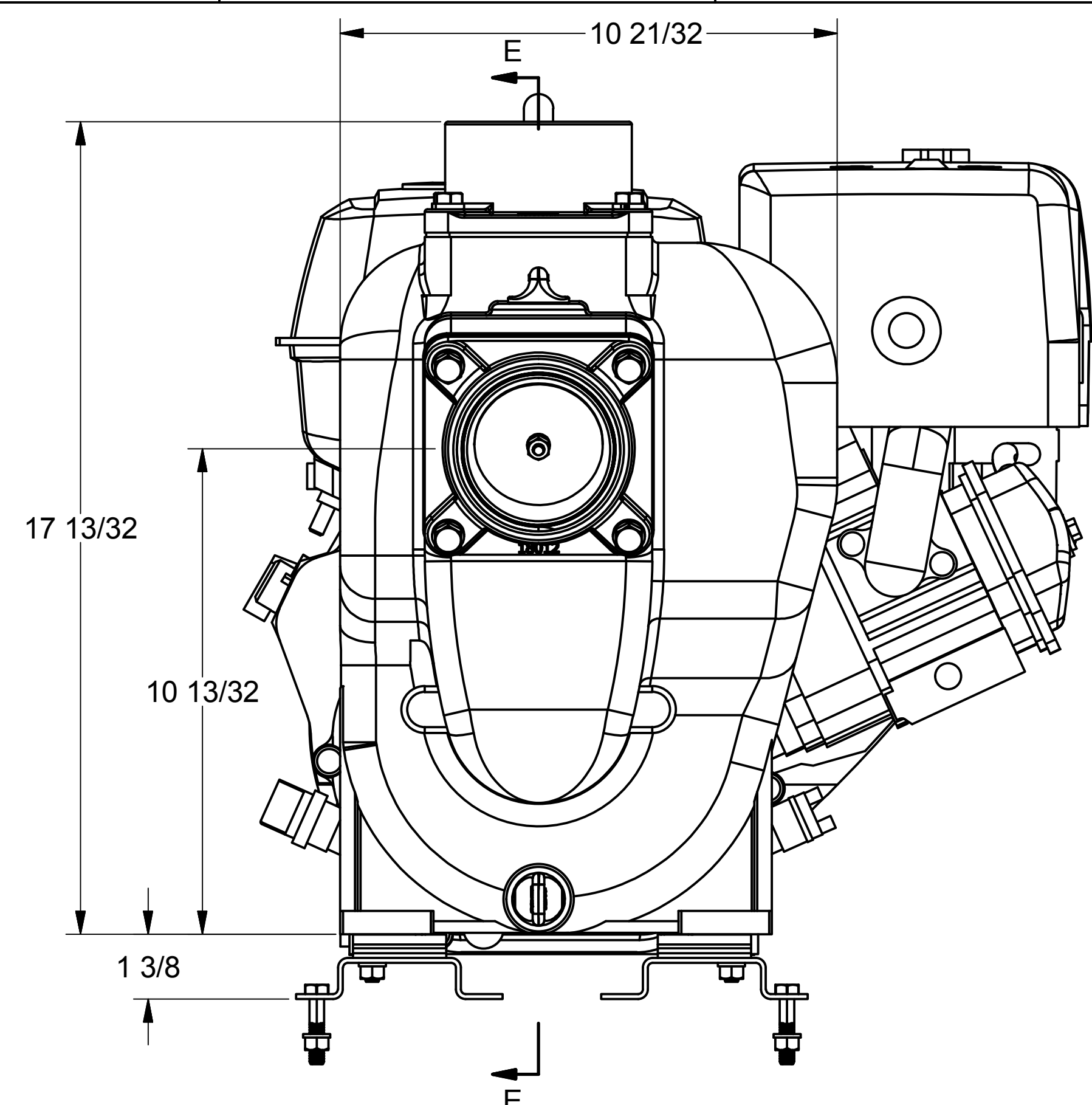


Parts List			
ITEM	QTY	PART NUMBER	DESCRIPTION
1	1	18033	PUMP HANDLE
2	1	18034	5/8-11 JAM NUT
3	2	18021	PUMP ADAPTER GASKET
4	1	12777	1/2" DRAIN PLUG
5	1	13777	3/4" DRAIN PLUG
6	1	13778	2-119 O-RING
7	1	UV15163	2-114 O-RING
8	10	V20018	3/8" LOCKWASHER
9	6	V20019	3/8" HEX NUT
10	1	18129	KEYED CLAMP ASSY.
11	1	12910	DECAL (N/S)
12	1	18200A	3" CI PUMP RESERVOIR, NEW
13	4	17704	3/8-16 X 1 1/4" HHCS
14	1	18126	3" CI PUMP SUB-ASSEMBLY
15	1	E13H	11 HP HONDA
16	8	V10118	5/16" LOCKWASHER
17	8	V10119	5/16" HEX NUT
18	8	17034	5/16-18 X 1-1/2" HHCS
19	1	18235	Z-RAIL (PAIR)
20	4	12901	5/16" FLAT WASHER



THIS DRAWING AND ALL INFORMATION CONTAINED THEREON ARE THE EXCLUSIVE PROPERTY OF BANJO CORPORATION.

UNLESS SPECIFICALLY NOTED, THIS DRAWING AND ITEMS SHOWN ON THIS DRAWING ARE SUBJECT TO CHANGE AT ANY TIME.

BANJO CORPORATION

150 BANJO DRIVE, CRAWFORDSVILLE, IN 47933
 WEB SITE: WWW.BANJOCORP.COM
 E-MAIL: SALES1@BANJOCORP.COM

DESCRIPTION
3" CI WET SEAL PUMP W/ 13 HP HONDA

PART NUMBER
301PIH13W