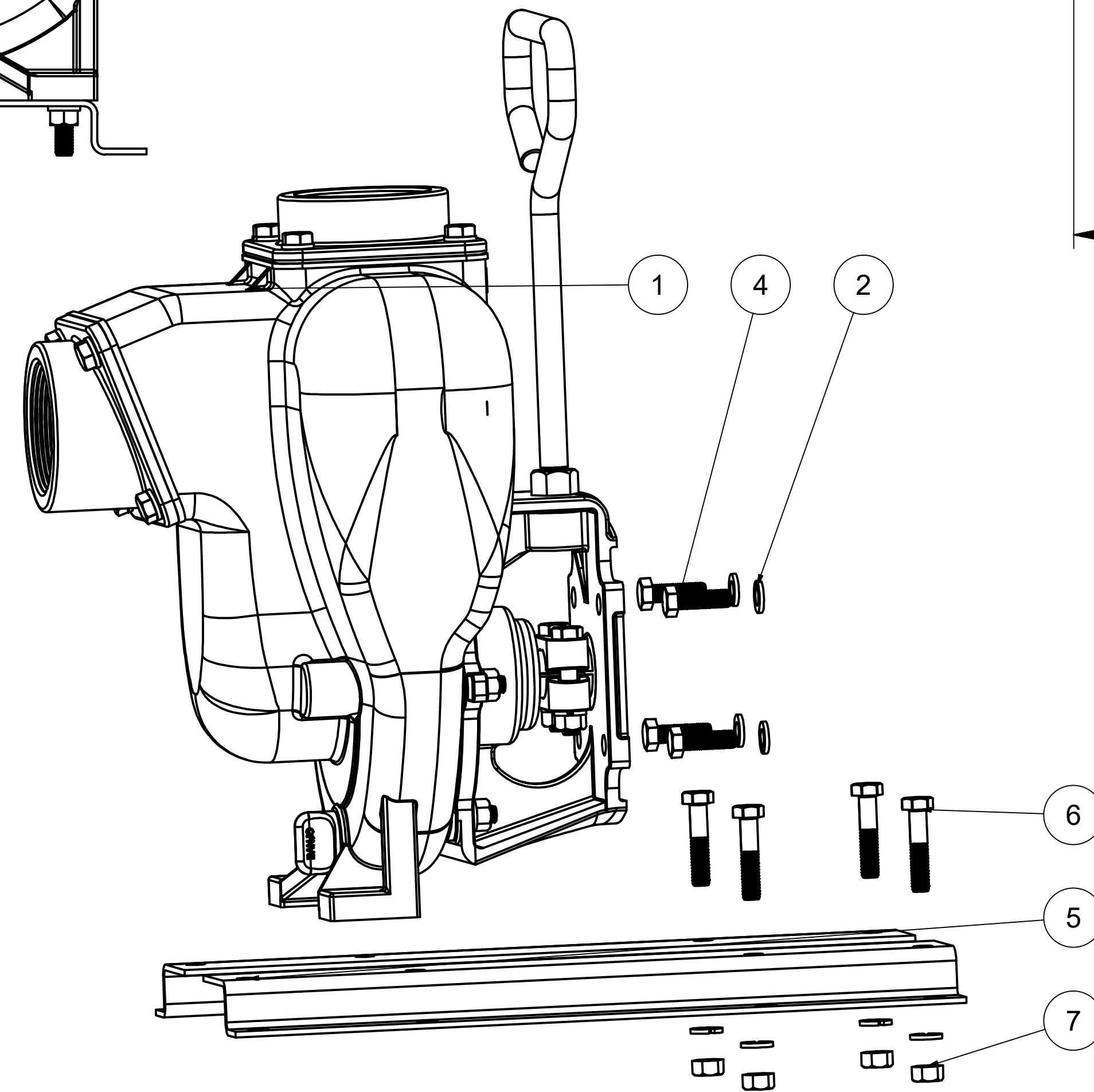
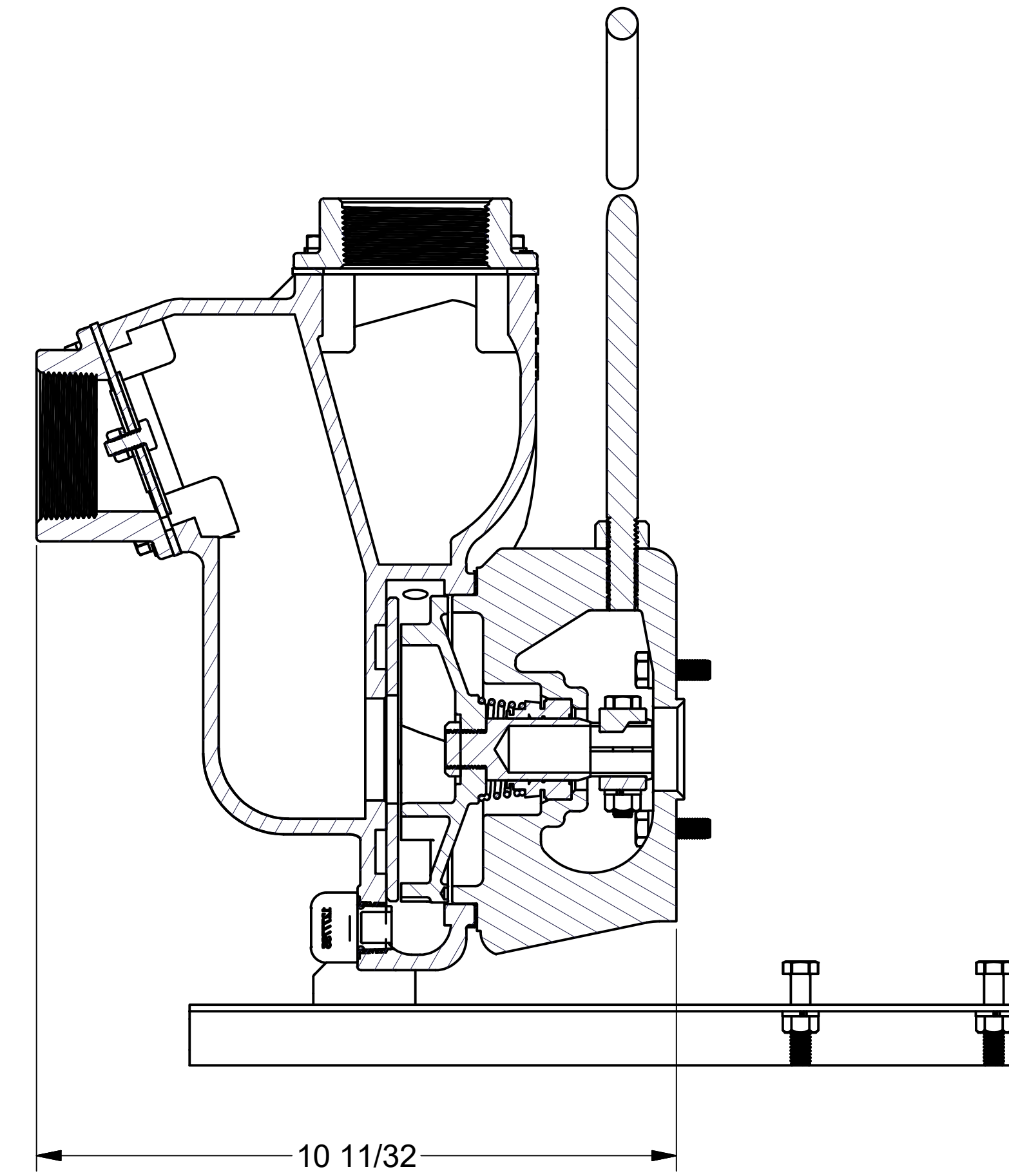
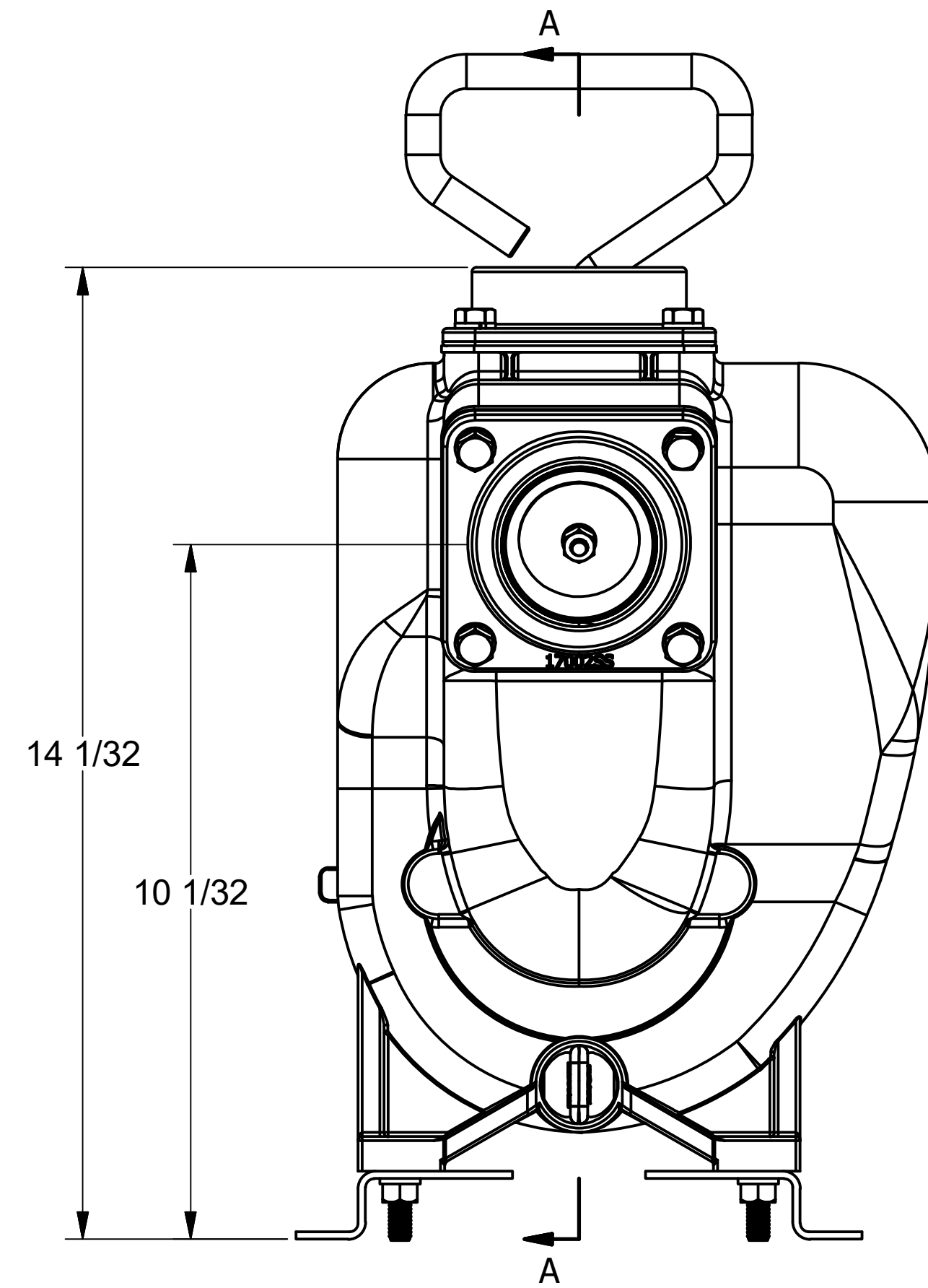


Parts List			
ITEM	QTY	PART NUMBER	DESCRIPTION
1	1	200XPOSS	2" SS PUMP SUB-ASSY
2	8	V10118	5/16" LOCKWASHER
3	1	12910	DECAL (N/S)
4	4	17040	5/16-24 X 1" HHCS
5	1	17033	Z-RAIL (PAIR)
6	4	17034	5/16-18 X 1-1/2" HHCS
7	4	V10119	5/16" HEX NUT



THIS DRAWING AND ALL INFORMATION CONTAINED THEREON ARE THE EXCLUSIVE PROPERTY OF BANJO CORPORATION.

UNLESS SPECIFICALLY NOTED, THIS DRAWING AND ITEMS SHOWN ON THIS DRAWING ARE SUBJECT TO CHANGE AT ANY TIME.



BANJO CORPORATION
 150 BANJO DRIVE, CRAWFORDSVILLE, IN 47933
 WEB SITE: WWW.BANJOCORP.COM
 E-MAIL: BANJOSALES@IDEXCORP.COM

DESCRIPTION
2" SS PUMP ONLY

PART NUMBER
200PO-SS