

SALES AND ENGINEERING DATA

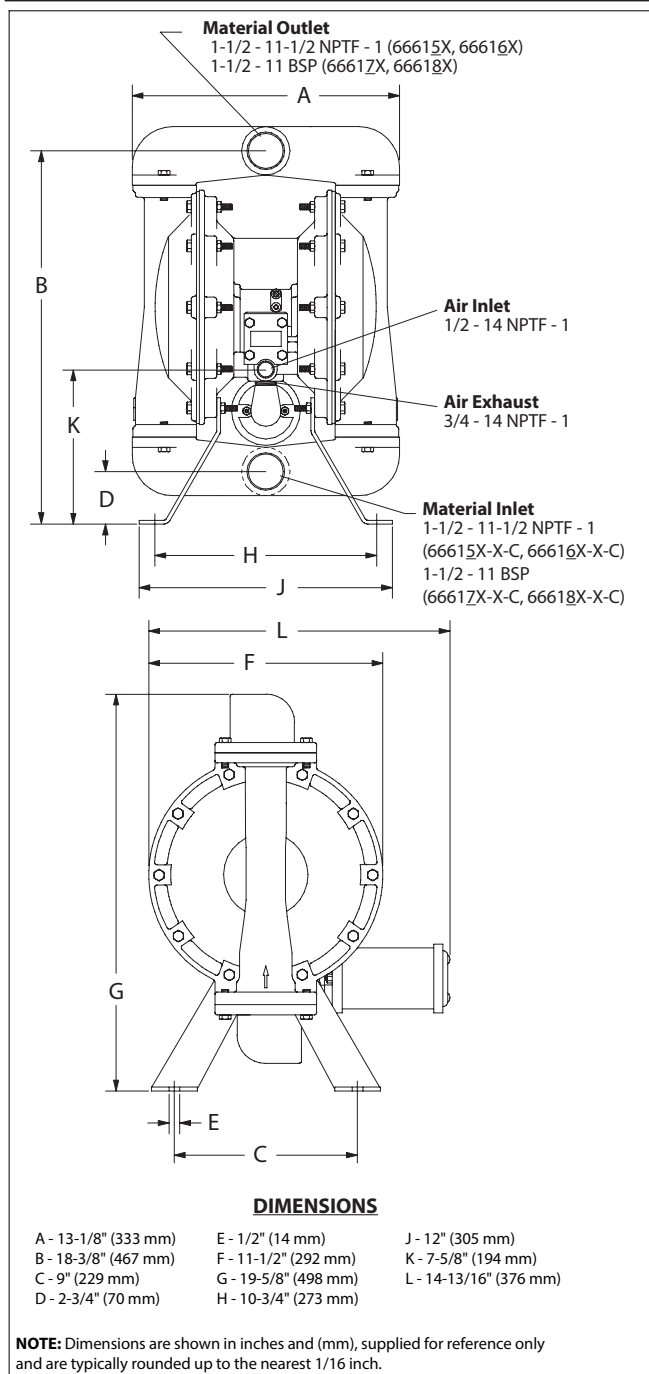
RATIO SERIES: **1:1**

FLUID PSIG RANGE: **20 - 120**

66615X-XXX-C THRU 66618X-XXX-C 1-1/2" METALLIC DIAPHRAGM PUMP

RELEASED: 1-10-97
REVISED: 10-26-18
(REV: H) S-879

DIMENSIONAL DATA - 6661X0, 1X2, 1XA, AND 1XC



SPECIFICATIONS

CONSTRUCTION

Model Series	66615X-XXX-C thru 66618X-XXX-C
Pump Type	Metallic, Air Operated, Double Diaphragm
Ratio	1:1
Material Inlet / Outlet (female)	
66615X-X-C and 66616X-X-C	1-1/2 - 11-1/2 NPTF - 1
66617X-X-C and 66618X-X-C	1-1/2 - 11 BSP
Air Inlet (female)	1/2 - 14 NPTF - 1
Air Exhaust (female)	3/4 - 14 NPTF - 1
Weight ... Aluminum	51.54 lbs (23.4 kgs)
Cast Iron	79.54 lbs (36.1 kgs)
Stainless Steel	77.5 lbs (35.15 kgs)
	(add 23 lbs (10.4 kgs) for cast iron air motor section)
Air Section Service Kit	637118-C
Fluid Section Service Kit	637124-XX
Composite PTFE Diaphragm Kit	48496806

66615X-XXX-C

637124-XX

Diaphragm Material
Ball Material

EXAMPLE: Model # 666150-361-C
Fluid Section Service Kit is 637124-61

PERFORMANCE

Air Inlet Pressure Range	20 - 120 psig (1.4 - 8.3 bar)
Maximum Material Inlet Pressure ..	10 psig (0.69 bar)
Fluid Pressure Range	20 - 120 psig (1.4 - 8.3 bar)
Maximum Flow Rate (flooded inlet) ...	90 gpm (340.7 lpm)
Maximum Particle Size	1/4" dia. (6.4 mm)
Maximum Temperature Limits (diaphragm / ball / seat material)	
Acetal	-20° to 180° F (-29° to 82° C)
E.P.R.	-60° to 280° F (-51° to 138° C)
Hytrel®	-20° to 180° F (-29° to 82° C)
PVDF (Kynar®)	10° to 200° F (-12° to 93° C)
Neoprene	0° to 200° F (-18° to 93° C)
Nitrile	10° to 180° F (-12° to 82° C)
Polypropylene	32° to 175° F (0° to 79° C)
Polyurethane	-10° to 150° F (-23° to 66° C)
PTFE	40° to 225° F (4° to 107° C)
Composite PTFE	14° to 194° F (-10° to 90° C)
Santoprene®	-40° to 225° F (-40° to 107° C)
Viton®	-40° to 350° F (-40° to 177° C)

Displacement / Cycle @ 100 psig

Standard Diaphragm	0.64 gal. (2.42 lit.)
Composite PTFE Diaphragm	0.40 gal. (1.52 lit.)

Noise Level @ 70 psig - 60 cpm ① 80.5 dB(A) ②

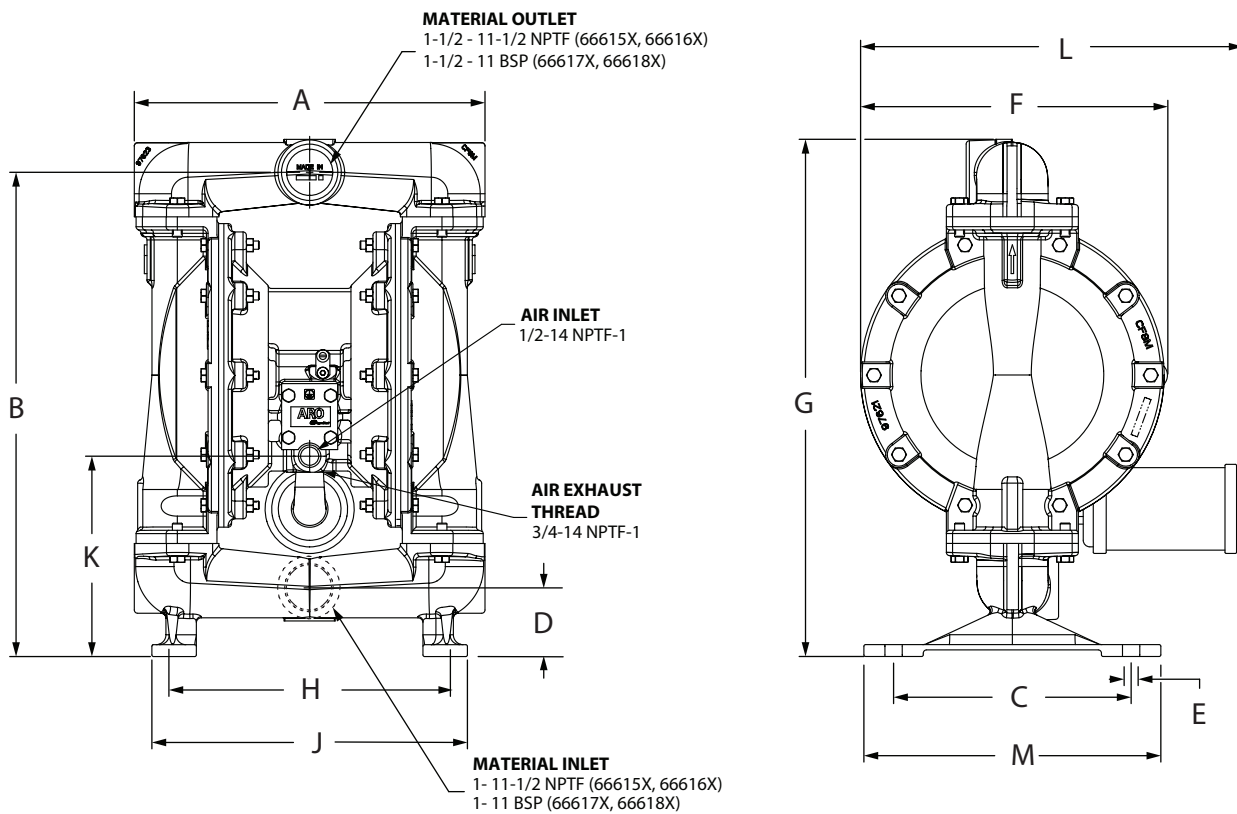
Note:

- ① Tested with 350-568 muffler installed.
- ② The pump sound pressure level has been updated to an Equivalent Continuous Sound Level (L_{Aeq}) to meet the intent of ANSI S1. 13-1971, CAGI-PNEUROP S5.1 using four microphone locations.

ACCESSORIES:

- 65010 Neoprene "O" Ring Air Motor Kit
- 65764 Viton "O" Ring Air Motor Kit
- 66084-1 Air Line Connection Kit
- 637155 Abrasion Resistant Conversion Kit

DIMENSIONAL DATA - 6661X1, 1XB



DIMENSIONS

A - 13-5/16" (337 mm)	E - 17/32" (13.5 mm)	J - 12" (305 mm)
B - 18-3/8" (467 mm)	F - 11-1/2" (292 mm)	K - 7-5/8" (194 mm)
C - 9" (229 mm)	G - 19-5/8" (498 mm)	L - 14-1/2" (368 mm)
D - 2-3/4" (70 mm)	H - 10-3/4" (273 mm)	M - 11-1/4" (286 mm)

NOTE: Dimensions are shown in inches and (mm), supplied for reference only and are typically rounded up to the nearest 1/16 inch.

PERFORMANCE CURVES

6661XX-XXX-C 1-1/2" METALLIC DIAPHRAGM PUMP

