



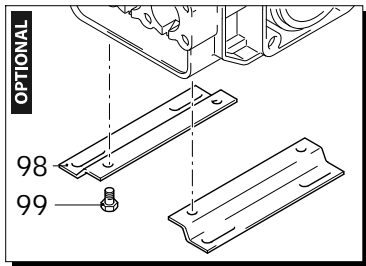
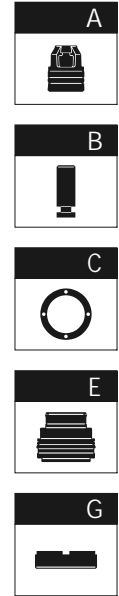
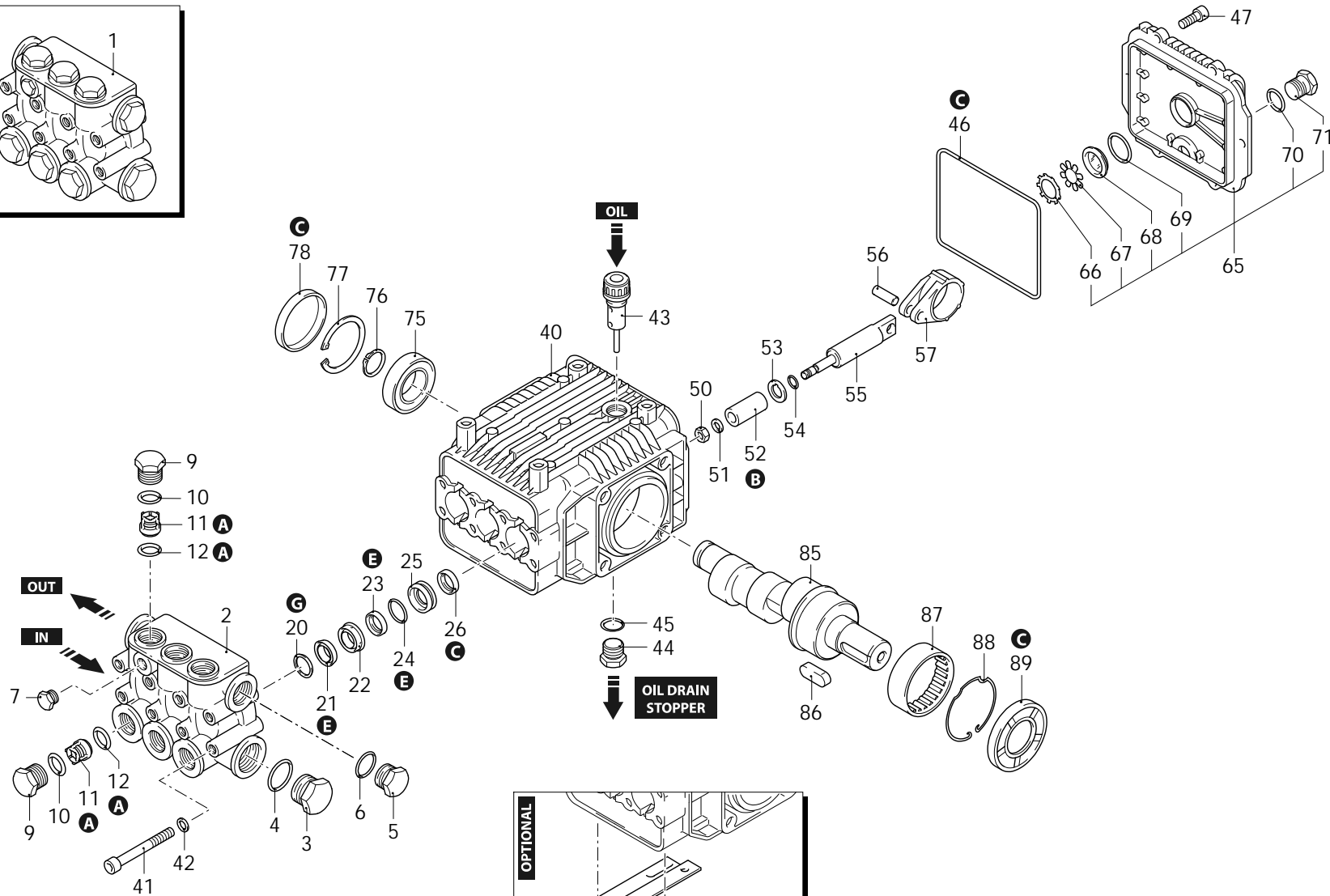
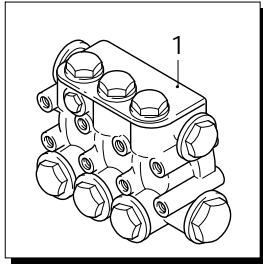
Series 178

XM

N

1450rpm

ø 24mm



AR-1\_000002\_v01

29/11/2021



Series 178

XM

N

1450rpm

ø 24mm

P	Code	Description	Q	Note	Validity	P	Code	Description	Q	Note	Validity
1	1789201	Head assembly	1	Ø 15		69	1140450	O-ring	1	Lubricate with grease Molykote PG54	
2	1780020	Head	1			70	740290	O-ring	1	Lubricate with grease Molykote PG54	
3	820361	Plug	1	1/2" G brass	C=40Nm	71	1980740	Plug	1	C=20Nm	
4	180101	O-ring	1	Ø 17,5x2	Lubricate with grease Molykote PG54	75	1780490	Bearing	1		
5	1980740	Plug	1	3/8" G brass	C=20Nm	76	1780550	Ring	1	seeger Øe 20	
6	740290	O-ring	1	Ø 14x1,78	Lubricate with grease Molykote PG54	77	1260790	Ring	1	seeger Øi 52	
7	620301	Plug	1	1/8" G	Screw with Loxeal 55-14	78	1266740	Cover	1		
9	1260160	Plug	6		Screw with Loxeal 55-14 / C=50Nm	85	1780150	Shaft	1	1 marked	
10	960160	O-ring	6	Ø 17,86x2,62	Lubricate with grease Molykote PG54	86	1380520	Key	1		
11	1269050	Complete valve	6			87	1321190	Bearing	1	Assemble with tool [1780610]	
12	880830	O-ring	6	Ø 15,54x2,62		88	1321080	Ring	1		
20	1780130	Ring	3	support Ø 15		89	1260750	Ring	1	Assemble with tool [1941990]	
21	1260130	Water seal	3	Ø 15	Lubricate with grease Molykote PG54	98	1380141	Foot	2	C=20Nm	
22	1780090	Piston guide	3	front Ø 15		99	1263130	Screw	4	C=20Nm	
23	1260440	Water seal	3	Ø 15	Lubricate with grease Molykote PG54	A	1864	Valve kit	1		
24	770260	O-ring	3	Ø 23,52x1,78		B	2739	Piston kit	1	Ø 15	
25	1780100	Piston guide	3	rear Ø 15		C	2786	Oil seal kit	1		
26	1260460	Oil seal	3			E	2741	Water seal kit	1	Ø 15	
40	1780010	Pump body	1			G	2740	Support ring kit	1	Ø 15	
41	1322730	Screw	8	TCEI M6x60	C=15Nm						
42	1381550	Washer	8								
43	880130	Plug	1								
44	1980740	Plug	1	3/8" G brass	C=20Nm						
45	740290	O-ring	1	Ø 14x1,78	Lubricate with grease Molykote PG54						
46	1780510	O-ring	1	Ø 106x3							
47	1200430	Screw	6	TCEI M6x16	Screw with Loxeal 55-14 / C=10Nm						
50	1260110	Nut	3	M8	Screw with Loxeal 55-14 / C=12Nm						
51	1260100	Washer	3								
52	1780070	Piston	3	Ø 15	Lubricate with grease Molykote PG54						
53	1260091	Plate	3								
54	480480	O-ring	3	Ø 4,48x1,78							
55	1780060	Piston	3	guide							
56	1780050	Pin	3								
57	1780040	Connecting-rod	3	aluminium	Lubricate with grease Molykote BR2 PLUS						
65	1789010	Cover	1	complete							
66	1260430	Ring	1								
67	1780690	Plate	1								
68	1260250	Level gauge	1								

Revision: 1

Oil type: SAE 15W40

Attachment:

Date: 29/11/2021

Oil quantity: 0,415 Kg

*C=Tightening torque (Tolerance +0 ÷ -10%)*