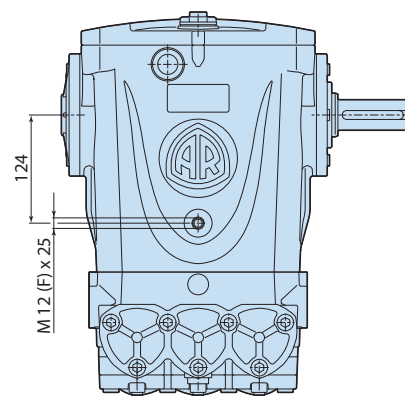
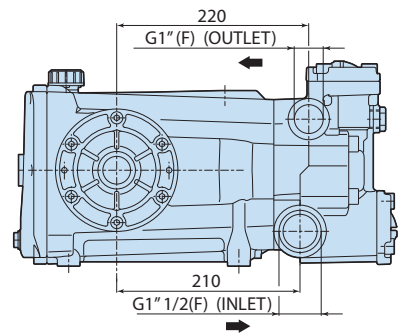
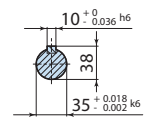
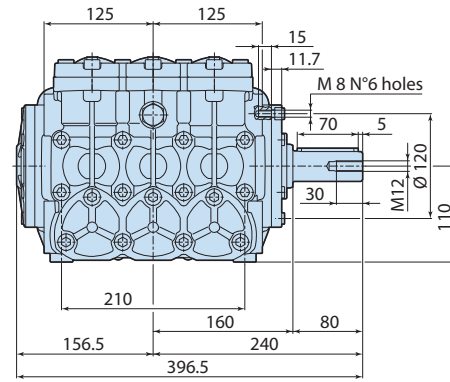
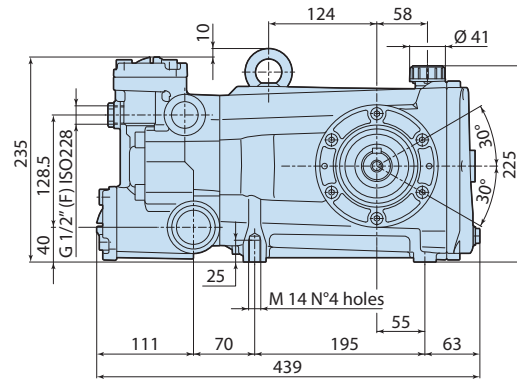


Descrizione



Details	Value
Category	Contractor 800
Series	418
Pump type	N
Versioning	RTD
ARCode	25348
Output (lt/min)	130
Output (gpm)	34,5
Pressure (bar)	100
Pressure (psi)	1450
Power (hp)	34
Power (kw)	26
RPM	1000
Weight (kg)	58



4188500