

Description

Pressure regulating unloader valve automatically relieves pressure from pump at shut-off, built-in by-pass.

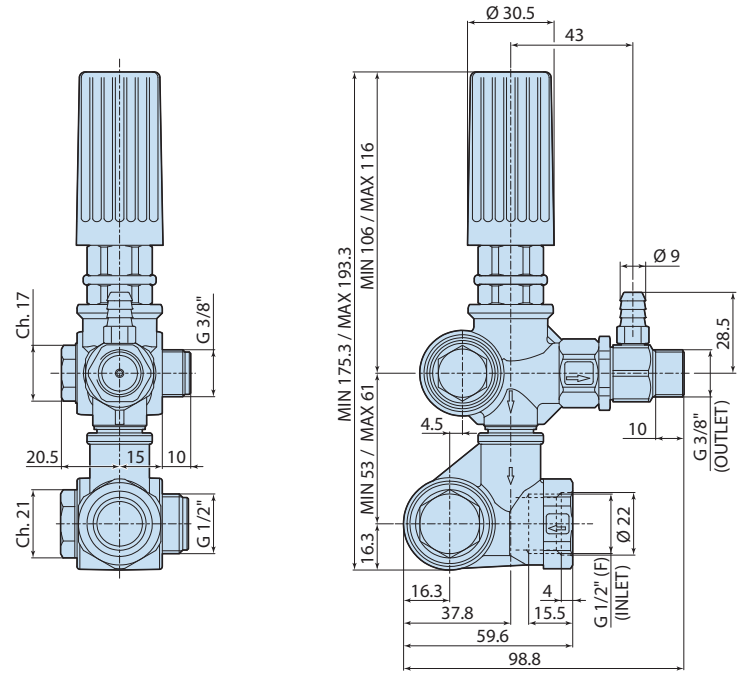
INLET: 1/2" G (F), OUTLET: 3/8" G (M)

For HPE, XT, RC, XM, RR, RK series

With detergent injector.



| Details | Value |
|-----------------|--|
| Category | Accessories |
| Series | Regulating Valves - Valvole di regolazione |
| Versioning | 4/B + ID |
| ARCode | 20889 |
| Output (lt/min) | 10,1÷18 ø2,3 |
| Pressure (bar) | Max 180 |



1548505