

Description

Unloader valve, automatically relieves pressure from pump at shut-off, built-in by-pass and detergent injector. For RK series.

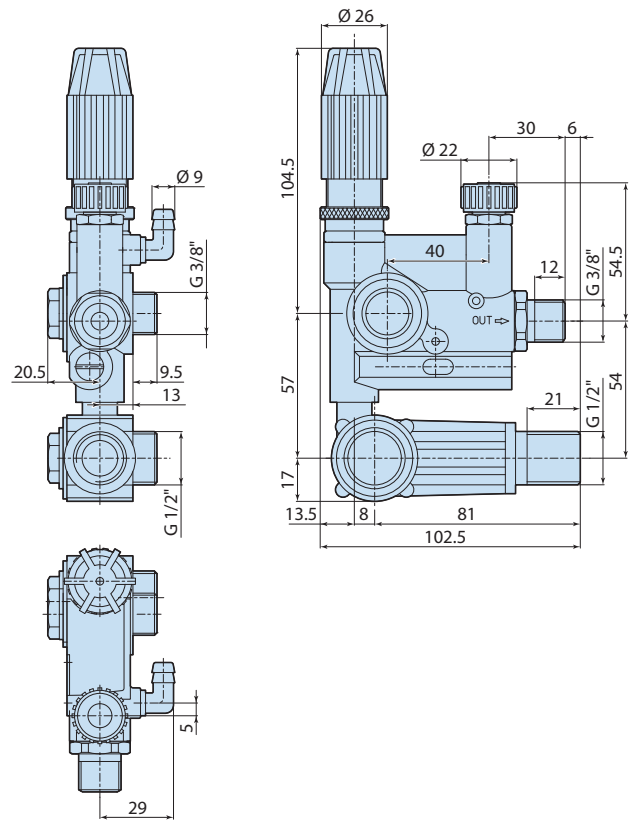
For RK series

Max 180 bar, 13÷16 l/min

INLET: 1/2" G (M), OUTLET: 3/8" G (M)



Details	Value
Category	Accessories
Series	Regulating Valves - Valvole di regolazione
Versioning	Combiset B
ARCode	2979
Output (lt/min)	13÷16
Pressure (bar)	Max 180
Pressure (psi)	Max 2600



1268532